

EST. 1885

A.M. LEONARD

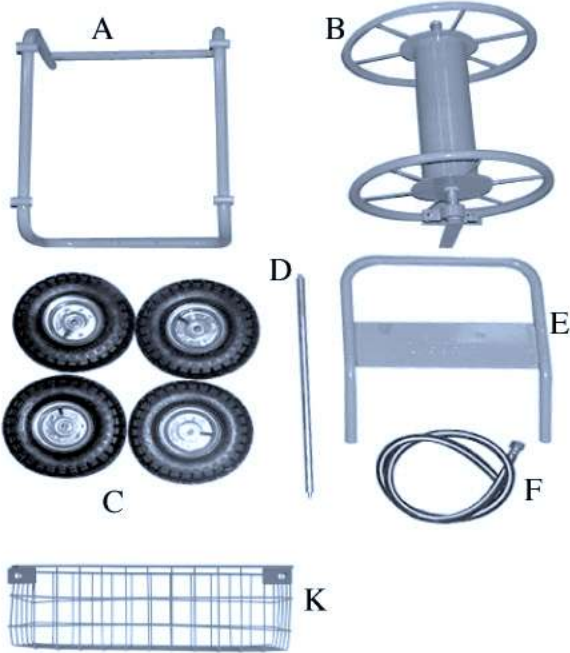
HORTICULTURAL TOOL & SUPPLY COMPANY

**Model HW300 — 300 ft., Four Wheel Hose Cart
Owner's Manual**

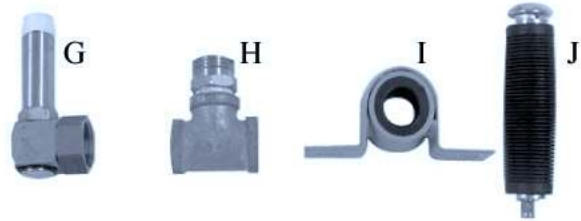


**Visit our website: www.amleo.com
or call toll free 800-543-8955**

BEFORE STARTING — You'll need two adjustable wrenches and a way to inflate the tires.



PARTS



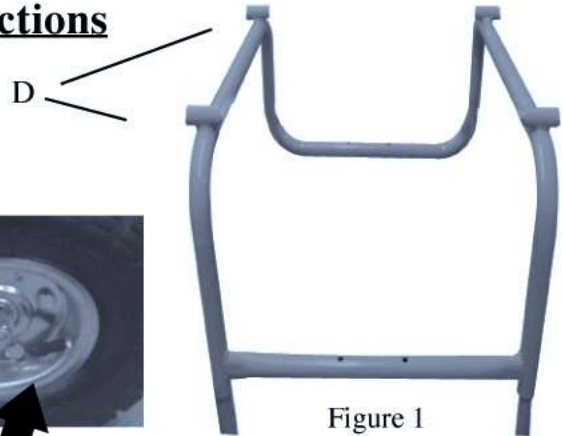
A. Frame	HW30001	G. Brass Swivel	HW30006
B. Spool	HW30002	H. Galvanized Tee	HW30007
C. Wheels	HW30003	I. U-Bushing	HW30008
D. Axle Rod	HW30010	J. Rubber Handle W/bolt	HW30009
E. Push Handle	HW30004	K. Wire Storage Basket	HW30011
F. Leader Hose	HW30005	L. Hardware Pack	HW30012
		M. O-rings & Washers	HW30013

Note: If any part is missing please contact A.M. Leonard at 1-800-543-8955.

Building Instructions

Step 1

- Turn Frame (A) on it's back as shown in figure 1.
- Insert Axles (D).



Step 2

- Place a wheel over each exposed axle end, making sure to face the air valve stem outward for easy filling later as seen in figure 2.
- Place a washer over each axle on the outside of each wheel.
- Now screw on an axle nut over each axle end and tighten securely in a clockwise fashion being sure to check that each wheel still spins freely when you are done.
- Set the cart upright on it's wheels.



Figure 2

Step 3

- Insert the Brass Swivel (G) through the U-Bushing (I).
- Screw the end of the Brass Swivel into the Galvanized Tee (H) as seen in figure 3.
- Tighten firmly, but do not over tighten. Over tightening may strip threads and cause leakage.



Figure 3

Step 4

- Screw the Galvanized Tee (H) onto the Spool (B) end. Tighten with wrench firmly, as seen in figure 4. Again, do not over tighten.

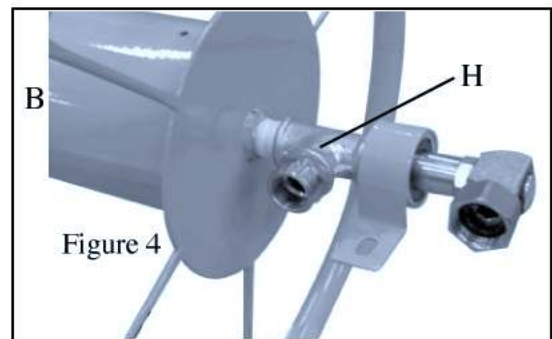


Figure 4

Step 5

- Place the Spool (B) on the Frame (A) so the bushings are oriented over the holes on the frame as seen in figure 5. You may have to compress the spring to get the spool oriented properly.

Bushing

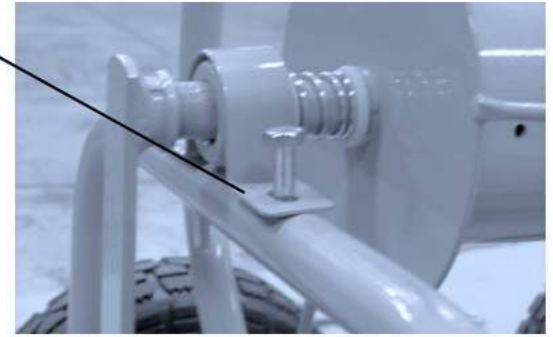


Figure 5

Step 6

- Insert the 1.75" bolts thru the bushings and thru the holes in the frame as seen in figure 5.
- Attach lock nuts. Repeat for other side of the spool and tighten firmly.

Step 7

- Slide Push Handle (E) over the exposed frame ends and align the holes.
- Insert the 1.44" bolts thru the handle holes and secure with supplied wing nuts as seen in figure 6.
- Hand tighten.

Push Handle

Wing Nuts



Figure 6

Step 8

- Attach Rubber Handle (J) to crank arm using supplied handle bolt and nut. Tighten securely.

Step 9

- Attach the Leader Hose (F) to the end of swivel assembly. DO NOT OVERTIGHTEN.

Step 10

- Install storage basket by lining up the holes in handle with holes in basket bracket. Secure with two bolts and wing nuts as seen in fig. 6.

Step 11

- Fill the tires with air. The recommended pressure for the tires is 15 psi. If using an air compressor be very careful not to over inflate the tires. The internal volume of these tires is small—over inflation can occur quickly.

Step 12

- Attach your garden hose. The HW300 is designed to hold up to 300 feet of 5/8" hose. Attach your hose to the Brass Adaptor as seen in figure 7.
- Loop the hose over the spool end to avoid kinking as shown.
- Your HW300 is now ready to use. Attach Leader Hose to a water supply.

Brass Adaptor

Leader Hose

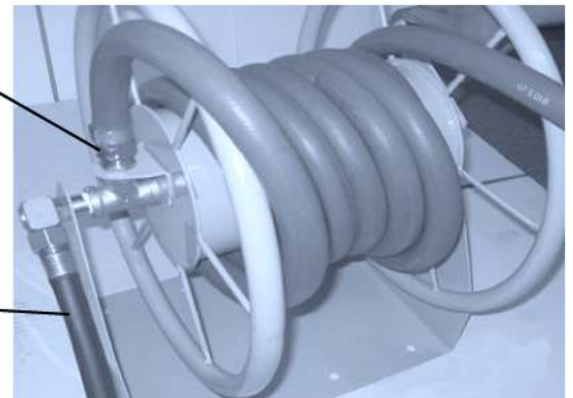


Figure 7

Trouble Shooting

Problem: Your new Hose Wagon is leaking at the swivel.

Solution: It is normal for the swivel to leak slightly until the O-rings are wet and have seated. If the leaking continues:

- Unscrew the leader hose
- Using a 3/8" hex key, insert key into hex opening as seen in figure 8 and tighten threaded insert gently.
- Check if leak continues
- If these steps do not solve your leaking problem, contact A.M. Leonard

Hex Adjustment



Figure 8

Tips

- To help avoid rust, periodically check for any scratches on your hose cart. Apply a clear acrylic or weather proof paint to fix any scratch.
- Drain water before storing for long periods — especially in colder climates.
- Use of Teflon Tape on threaded pipe connections will greatly reduce leaks.