

# OPERATOR'S MANUAL



Models XL Pro 1031 and RSUL-121



## ROCKET SPRAY®

### 12-Volt Battery Powered Sprayers

(Back Pack or Cart Style)

US Patent #5,752,661

*Produced By*

**TARACO ENTERPRISES**

Rt. 1, Box 367

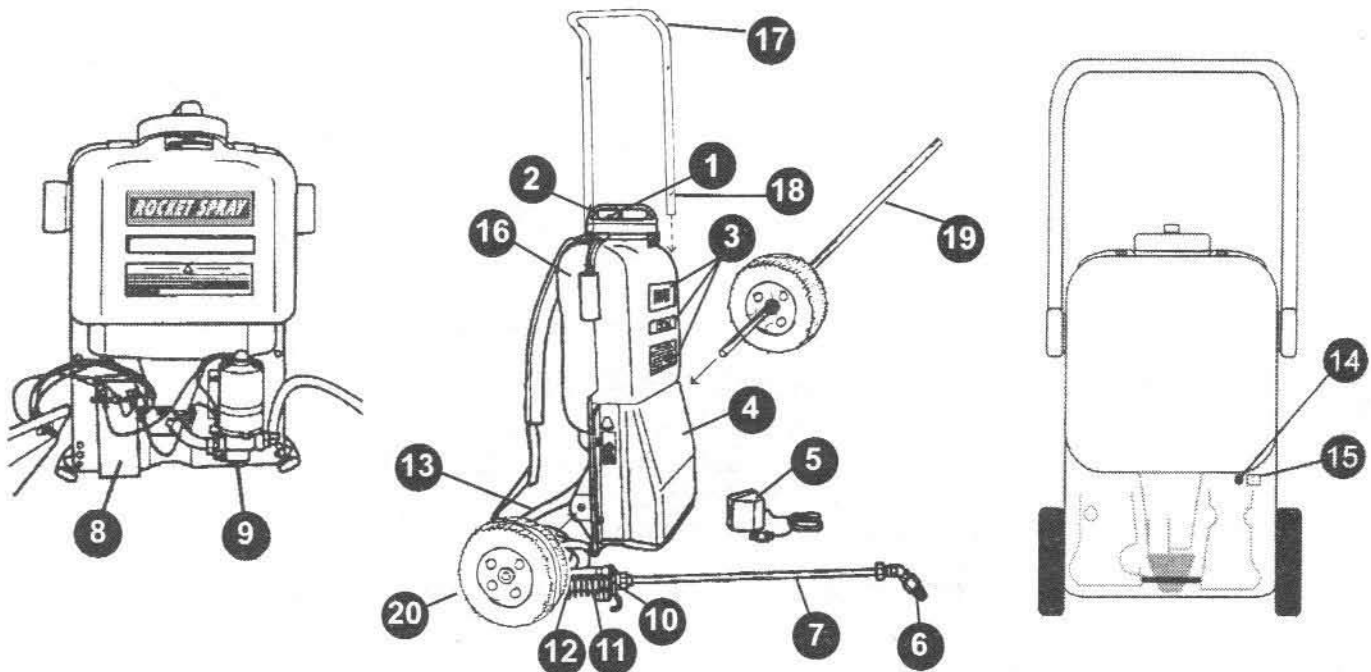
Duke, Oklahoma 73532

## IMPORTANT:

**READ AND FOLLOW ALL INSTRUCTIONS BEFORE OPERATING SPRAYER.  
FAILURE TO DO SO COULD RESULT IN INJURY.**

# PARTS LIST

The Rocket Spray™ has been pre-assembled at the factory for your convenience except for the wand. For customer service or to order parts you may reach our customer service line at 1-580-679-3956.



- |   |   |
|---|---|
| <ol style="list-style-type: none"> <li>1. BREATHER VALVE - rubber seal in cap with a small hole that allows air pressure to push on spray material in tank, and allows vapors to escape.</li> <li>2. CAP - contains breather and secures spray material in tank.</li> <li>3. DECALS - supplies important safety instructions for using sprayer.</li> <li>4. BASE - contains battery and motor.</li> <li>5. CHARGER - charges battery.</li> <li>6. NOZZLE - controls and adjusts type of spray.</li> <li>7. WAND - carries and directs spray material from handle to nozzle.</li> <li>8. BATTERY - supplies electricity to operate motor; contained inside base.</li> <li>9. MOTOR - pumps spray material to nozzle; contained inside base.</li> <li>10. LOCK - allows continuous spraying.</li> </ol> | <ol style="list-style-type: none"> <li>11. LEVER - controls starting and stopping of spraying.</li> <li>12. HANDLE - allows operator to control direction of spray and operation of lever.</li> <li>13. HOSE - carries spray material from tank to handle.</li> <li>14. CHARGING JACK - receptacle for charger plug.</li> <li>15. ON/OFF SWITCH - allows electricity from battery to start and stop motor.</li> <li>16. TANK - hold spray material (liquid spray, chemicals)</li> <li>17. HANDLE - for pulling sprayer with wheel kit.</li> <li>18. SNAP BUTTONS - for securing handle in desired position.</li> <li>19. AXLE - for wheel kit.</li> </ol> |
|---|---|

## TROUBLESHOOTING

### PROBLEM:

- ✓ Spray uneven or not fine enough
- ✓ Sprayer leaks or drips from bottom of tank
- ✓ Sprayer leaks
- ✓ Sprayer won't spray

### CAUSE:

- Clog(s) damaged part(s)
- Check filter in tank, pump or wand
- Motor damaged
- Hose clamp loose or broken
- Loose or broken Connectors
- Tank empty
- Clog(s) damaged part(s)
- Loose or broken connectors
- Battery Weak
- Motor Damaged
- Pressure in hose already at maximum
- Fuse blown
- Battery Dead

### PROBABLE SOLUTION:

- Clean System/Replace Parts
- Replace Motor
- Tighten/Replace
- Tighten/Replace
- Fill Tank
- Clean System/Replace Part(s)
- Tighten/Replace
- Charge/Replace
- Replace Motor
- Engage wand trigger
- Replace fuse
- Re-charge/Replace battery

Contact Tarco Enterprises with all warranty problems. (580) 679-3956

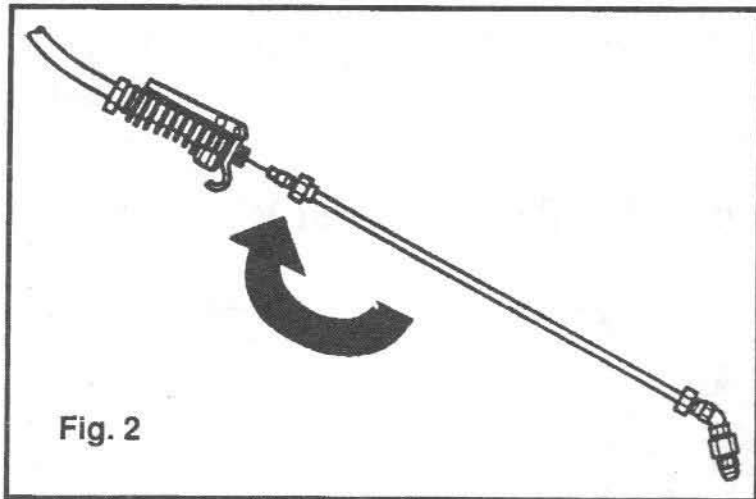


Fig. 2

## PRE-OPERATION

Check all connections to see that they are tight and have not been damaged in shipment. Assemble wand by pushing stem into handle until it bottoms out and tighten nut. (Fig. 2) Next do a water only test to make sure there are no leaks, before adding chemicals. The battery has been preassembled on the sprayer for your convenience. A battery charger has been supplied to charge the battery. **Charge the battery after each use.** An overnight charge of 10-12 hours is recommended.

## OPERATION

Read and understand all safety information before operating the sprayer. Mix spray material following manufacturer's direction, using a separate, approved, clean mixing container. Carefully pour mixed spray material into tank. Carefully wipe spilled material. Rinse or dispose of cleaning cloth according to the manufacturer's directions. Place harness over shoulders. Adjust straps if necessary. While spraying, keep all people and animals away; don't spray in an unventilated area, do not spray in windy conditions, point nozzle toward area to be sprayed, do not leave sprayer unattended. Turn switch on (Fig. 4) and aim nozzle, squeeze wand handle lever. For continuous operation, slide button lock forward. The nozzle on the tip of the wand may be adjusted for various spray patterns. **After usage, turn switch off, depress wand trigger to release pressure.**

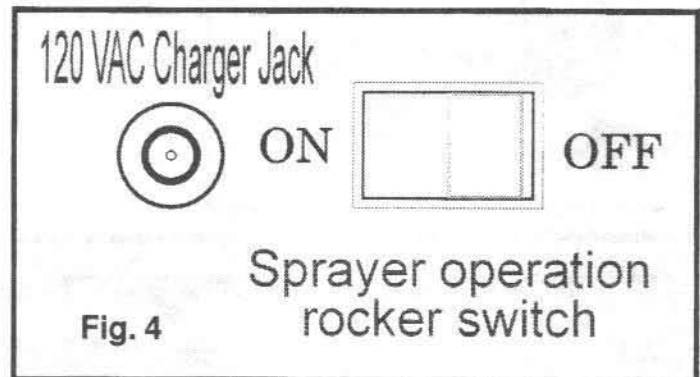


Fig. 4

## MAINTENANCE

Clean sprayer with dishwashing liquid soap diluted with clear water, after each usage. Run soap solution through the pump, hose and wand. Doing this after every application will increase the life of your pump and motor. Clean cap breather valve. After use, wash face and hands with soap and water to remove any chemicals from skin.

## STORAGE

Store indoors in a cool, dry, high or locked place out of the reach of children. In areas with extreme cold winters, the battery will need to be checked periodically to insure it maintains a charge. **Lack of charge in the winter months can result in failure of the battery in the spring.**

Warranty # \_\_\_\_\_ Date of Purchase \_\_\_\_\_

Name \_\_\_\_\_

Address \_\_\_\_\_

Attach Proof of Purchase

**ROCKET SPRAY**

**TARACO ENTERPRISES**  
Rt. 1, Box 367 • Duke, OK 73532  
(580) 679-3956

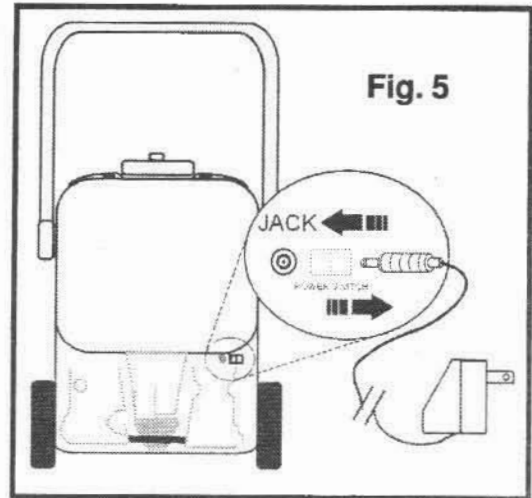
### LIMITED WARRANTY

If the ROCKET SPRAY® Personal Spray Machine fails due to defective parts within one year from the date of purchase, (30 days for batteries & battery charger), the manufacturer will replace or repair the defective parts upon receipt of written claim and the defective part. Failure by the buyer to heed the care and maintenance instructions herein will nullify this warranty. The buyer is urged to clip and return this warranty to assure proper record of date of purchase. (Shipping is not covered.)

## RE-CHARGE BATTERY

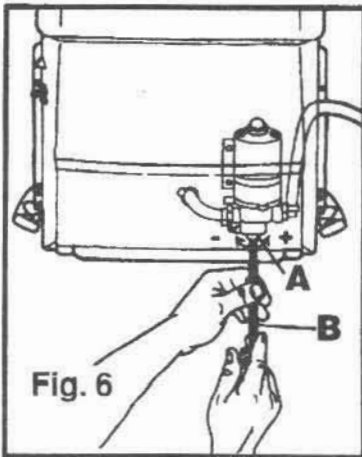
Carefully plug charger cord into charging jack below switch. (Fig. 5) Plug charger into 120V-AC electrical outlet. Do not drop battery recharger. Battery charger will normally become warm to the touch after 30 minutes or more. This indicates the charger is working. Normal recharge time is 10-12 hours (overnight). **(Do not leave the battery on charge)**. When charging is complete, unplug battery charger carefully from the outlet and the battery jack. The battery is a *New Technology Deep Cycle* battery designed for this application. It can be totally discharged and recharged without damaging battery.

**PLEASE NOTE:** However, you should never leave your battery in a discharged state. Always recharge battery after each use. Failure to do so could reduce the life of your battery. During extended periods of non-use, such as winter months, charge overnight once every 30 to 45 days.



## PUMP PRESSURE ADJUSTMENT

**FOR MODEL RSUL 121:** The pump pressure is set at 50 P.S.I. pressure. It can be adjusted from 20-50 psi. To adjust the pump pressure turn sprayer off and make sure it is free of chemicals. Lay sprayer down with decals facing up. Located at the bottom of the sprayer is a motor pressure adjustment screw hole. (Fig. #6) Place Phillips screwdriver in hole and turn clockwise to turn pressure up and counter clockwise to turn pressure down.



**FOR MODEL XL PRO 0131:** it takes a 7/64 allen wrench to adjust pressure from 20-95 psi. Factory set at 65 psi. Turn clockwise to increase pressure and counter clockwise to decrease pressure.

**CAUTION:** When turning adjustment screw more than two full turns counter clockwise from setting, it may come loose from the motor. As pressure is decreased, the pump will start to pulsate.

## PRECAUTIONS

Check all connections to see that they are tight and have not been damaged in shipment. Before initial operation of the Rocket Spray, use a clean water test. Do not carry sprayer by the hose or pull hard on the charger cord when disconnecting the charger from the base, as this will result in damage to the sprayer. Keep hose away from heat and sharp edges. Use care when handling the battery. Do not take the battery apart. Keep the battery away from fire. The battery is a closed cell battery, but in the event acid should appear

rinse with water and baking soda. Contact your local government authority for proper disposal codes, when replacing the battery. Do not carry the sprayer with the switch on. Always turn off switch whenever sprayer is not in use. Never use with or near flammable materials, caustic acids or hot liquids, otherwise serious injury may result. Always follow all applicable laws and manufacturer's instructions for handling, mixing, using, storing and disposing of spray material. Do not operate sprayer without liquid in tank, or pump will be damaged.

## SPECIFICATIONS

Depth ..... 7-1/2 inches (19.05 cm)  
 Width ..... 18-1/2 inches (47 cm)  
 Height ..... 25 inches (63.5 cm)  
 Weight (without wheel kit)..... 13.9 lbs. - XL Pro: 19.9 lbs.

### Electrical

Motor Type..... D.C. Motor  
 Battery Type..... Compact, sealed lead rechargeable Deep Cycle  
 Battery Weight ..... 4.4 lb. - XL Pro: 7 lbs.  
 Battery Voltage ..... 12V  
 Battery Capacity ..... 5 AH - XL Pro 7AH

Tank Capacity ..... 5 gal.

### Nozzle

Discharge Pressure ..... 20-50 P.S.I.  
 XL Pro..... 20-95 P.S.I.

Hose 15 ft.

Wand Tip ..... Poly & Adj. Conejet

Pump ..... Shurflo Diaphragm on Demand