

PARTS LIST

www.theSnowcaster.com

Parts

1. (1) 11" x 36" blade
2. (1) Plastic pre-drilled frame
3. (1) 45" handle
4. (2) 6" wheels
5. (3) 1" x 5/16" carriage bolts
6. (3) 5/16" self-locking nuts
7. (2) 1 1/2" x 1/2" shoulder bolts
8. (2) 3/8" self-locking nuts
9. (2) 1 1/2" x 5/16" clevis pins
10. (4) 1/4" flat washers
11. (2) Hairpin clips
12. (4) 5/16" flat washers

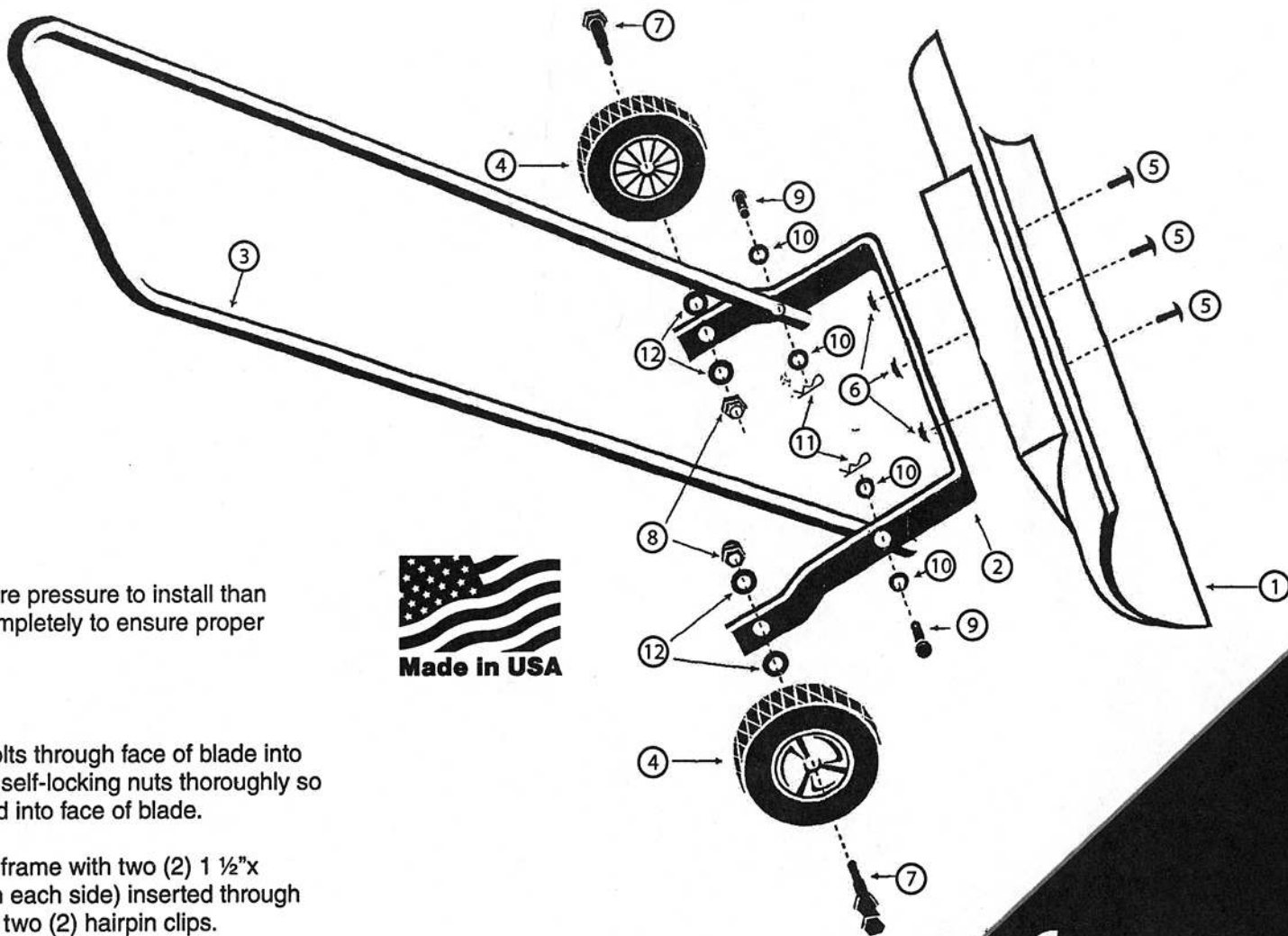
Tools

1. 9/16" wrench
2. 1/2" wrench
3. Pliers or small crescent wrench

PLEASE NOTE: Self-locking nuts require more pressure to install than regular nuts. Be sure to tighten each one completely to ensure proper performance of your Snowcaster.

Assembly

1. Insert three (3) 1" x 5/16" carriage bolts through face of blade into plastic frame. Tighten three (3) 5/16" self-locking nuts thoroughly so smooth heads of bolts are embedded into face of blade.
2. Attach handle to inside of pre-drilled frame with two (2) 1 1/2" x 5/16" clevis pins (with one washer on each side) inserted through handle and outer frame. Secure with two (2) hairpin clips.
3. Wheels must attach last. Three-spoke side of wheel faces out - ten spoke side sets against plastic frame. Insert two (2) 1 1/2" x 1/2" shoulder bolts through outside (3-spoke) of each wheel and into plastic frame with a 5/16" flat washer on each side of plastic frame. Attach two (2) 3/8" self-locking nuts and tighten thoroughly.



The Snowcaster

A Mangin & Associates Product

ph 317.576.5380