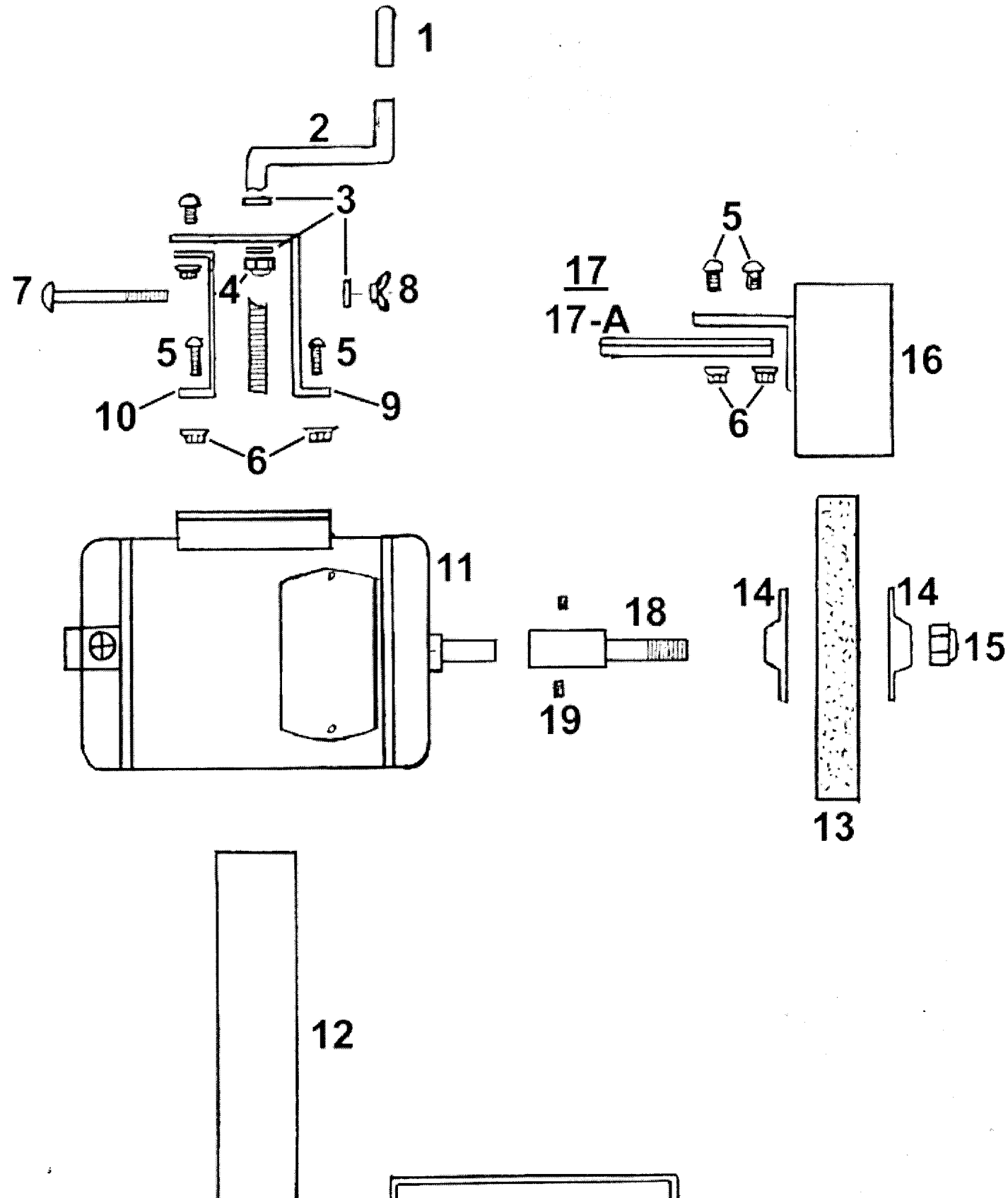


BG-121



ITEM #	PART #	DESCRIPTION	QUANTITY
1	1301	HANDLE GRIP	1
2	1302	HANDLE	1
3	1304	FLAT WASHER 5/16	4
4	1305	NYLON LOCK NUT 3/8-24	1
5	1310	CARRIAGE BOLT 5/16-18x3/4	10
6	1611	WHIZZ LOCK NUT 5/16-18	10
7	1309	CARRIAGE BOLT 5/16-18x3	2
8	1308	WING NUT 5/16-18	2
9	1621	TOP (FRONT)	1
10	1620	TOP (BACK)	1
11	1217	MOTOR 1/2 H.P. SEALED	1
12	1219	FRAME	1
13	1208	RUBY WHEEL 8"x1"	1
14	1316-B	FLANGE WASHER	2
15	1314	NYLON LOCK NUT 5/8-18	1
16	1312	GUARD	1
17	1312-L	GUARD ARM LEFT	1
17-A	1312-R	GUARD ARM RIGHT	1
18	1221-S	ARBOR	1
19	1313	SET SCREW 1/4	2
		ITEMS NOT SHOWN	
		ON OFF DECAL	
		CAUTION DECAL	
		BG 121 DECAL	
		HANDLE CONTROL DECAL	
		CAUTION LABEL (WING NUT)	