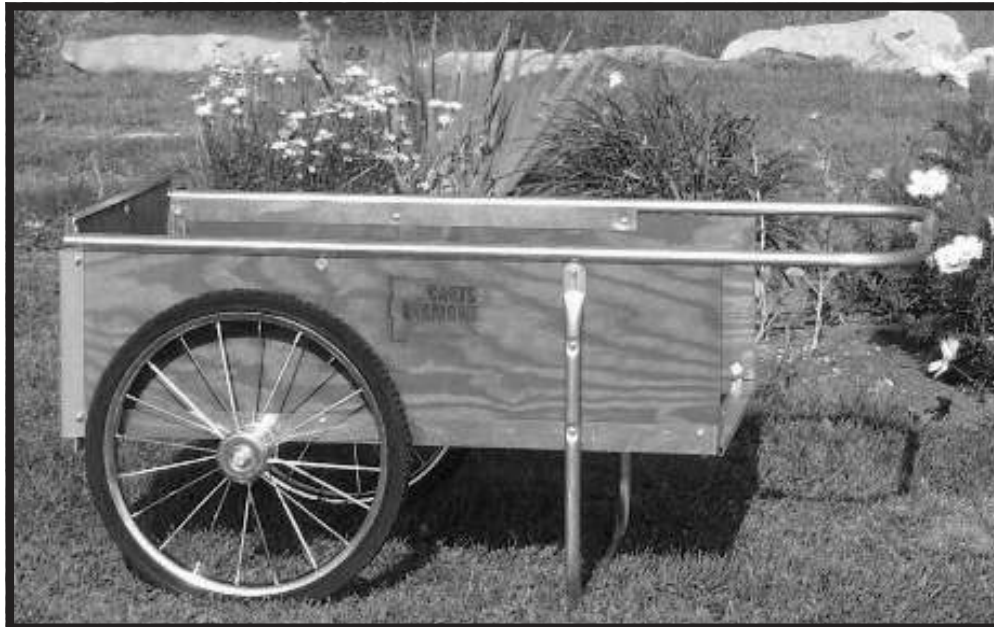




---

## Model 20 Home & Garden Cart

---



Thank you for choosing carts Vermont! We take pride in our high standards of workmanship and quality. Your cart was made with the finest quality materials available. With proper care, it will give you many years of dependable service.

For your convenience, we have installed all T-nuts and pre-assembled some metal components. Once again, We at carts Vermont thank you. Should you have any comments or questions, please contact us.

# Model 20 Home and Garden Cart Assembly

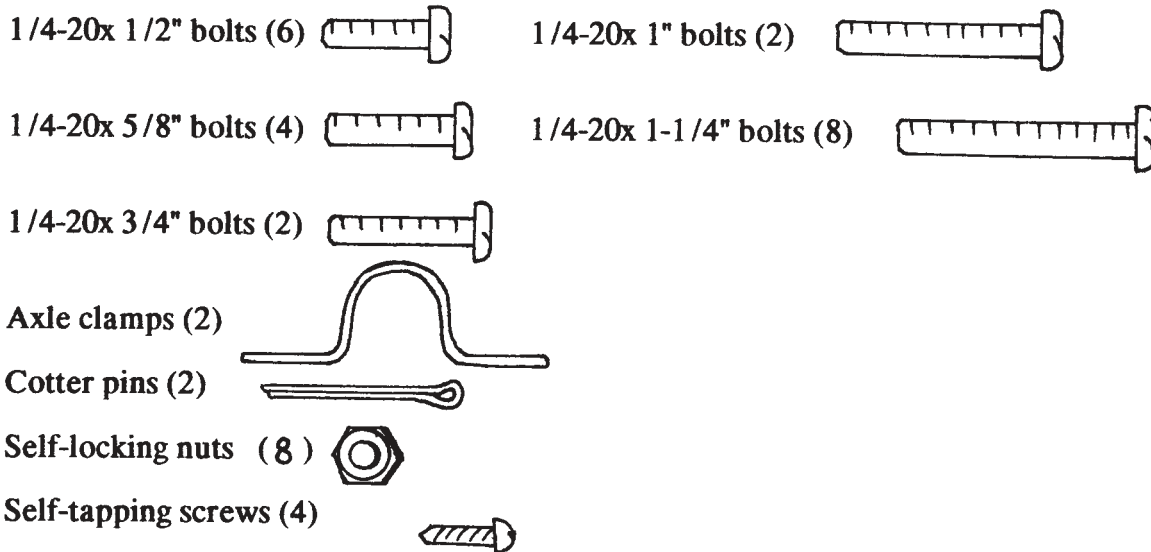
These instructions will show how you assemble your Model 20 Cart in an easily followed sequence. You should look over the hardware first and arrange it so it is easily accessible.

We have made every effort to be sure that holes line up; however, due to normal expansion of wood parts, holes may not appear to line up. This is easily corrected by making sure that all bolts are loose, and by working a nail or awl into the hole so all parts line up enough to thread bolts in.

We recommend that bolts be started by hand to reduce the possibility of damaging threads in T-nuts. It is also a good idea to have another person available during assembly—an extra pair of hands may come in handy if parts needed aligning.

Tools you will need: nail or awl, regular screwdriver, and an adjustable or a 7/16" wrench.

## Parts List

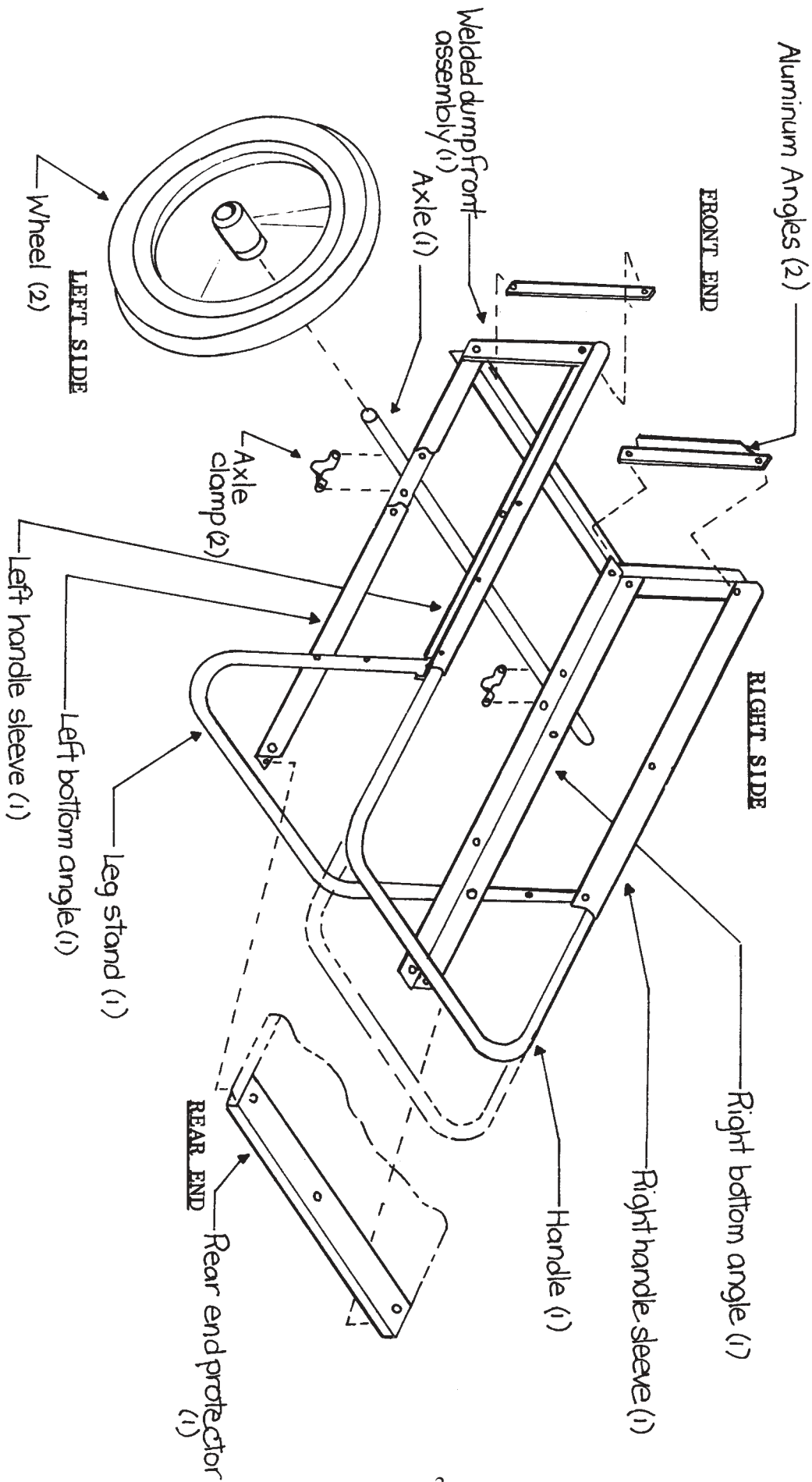


Rear end protector (1) (pre-installed)  
Front end protector (1) (pre-installed)  
Front panel  
edge protector (pre-installed)  
Handle (1)  
Right handle sleeve (1)  
Left handle sleeve (1)  
Leg stand (1)  
Right bottom angle (1) (pre-installed)

Left bottom angle (1) (pre-installed)  
Weld dump front assembly (1)  
Aluminum angles (2)  
Axle (1)  
Wheels (2)  
Bottom panel (1)  
Right side panel (1)  
Left side panel (1)  
Dump front panel (1)

# Model 20 Home and Garden Cart

## Overview

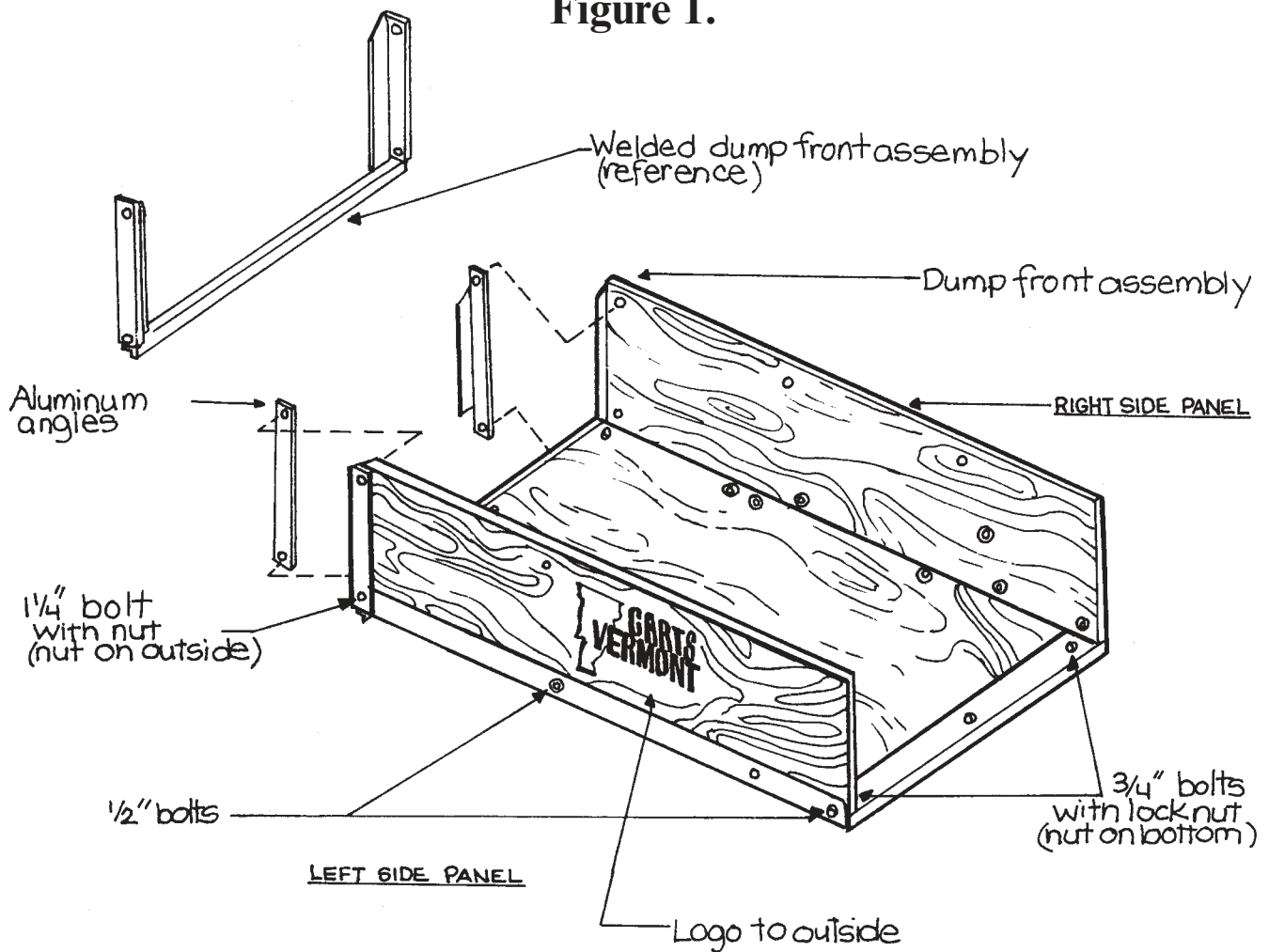


# Step 1

---

- A. Install 3/4" bolts and attach to lock nuts. (Lock nuts on bottom side.)
- B. Place "Left side Panel" on left side of bottom panel and fasten with two 1/2" bolts as shown in Figure 1. Note: Logo will be on the outside of the cart.
- C. Place "Right side panel" on right side of bottom panel and fasten with two 1/2" bolts in the same locations as shown for left side in Figure 1.
- D. Place "Welded dump front assembly" on front end of the bottom and side panels.
- E. Place "Aluminum angles" on the inside of the cart, align the holes with those in the side panels and welded dump front assembly, insert 1-1/4" bolt through the bottom holes in the aluminum angles, and fasten with a lock nut on outside of cart as shown in Figure 1.

**Figure 1.**

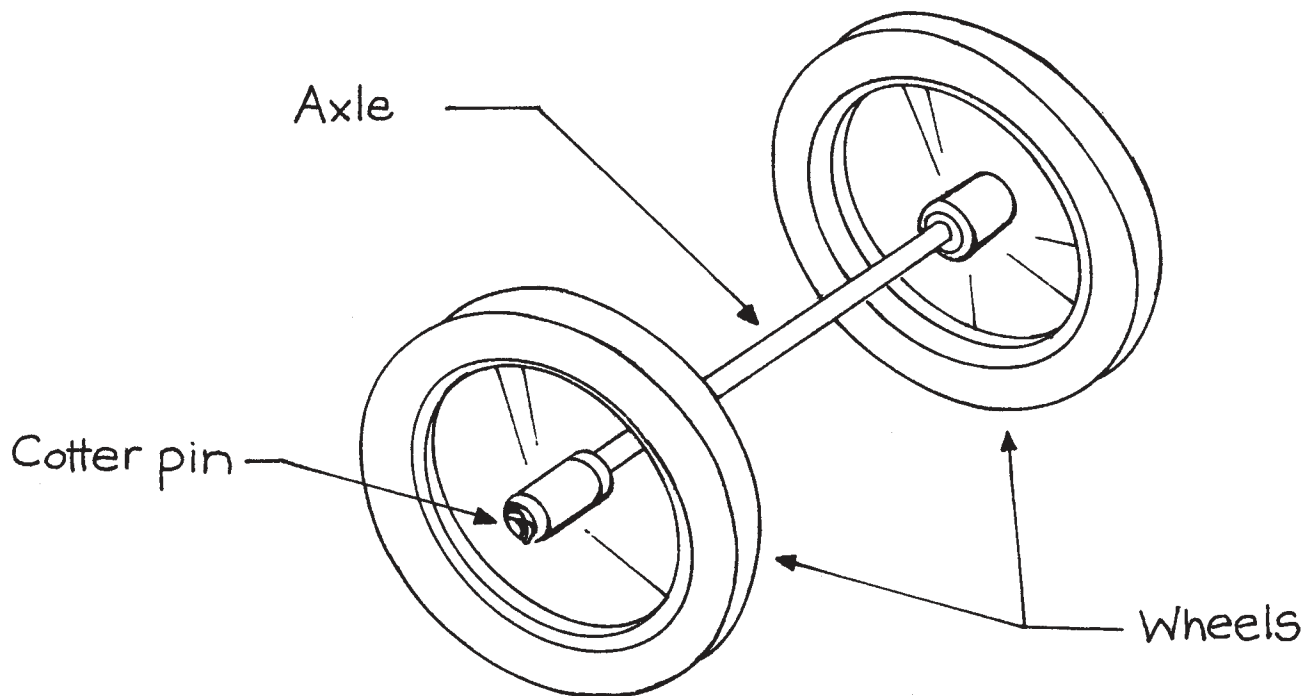


## Step 2

---

- A. Insert "Axle" through one "Wheel". Insert a cotter pin through the hole at the end of the axle and spread ends to form a "Y".
- B. Hold the other end of the axle and slide the remaining "wheel" onto the axle. Insert a cotter pin through the hole at the end of the axle and spread ends to form a "Y". See Figure 2 for reference.

**Figure 2**

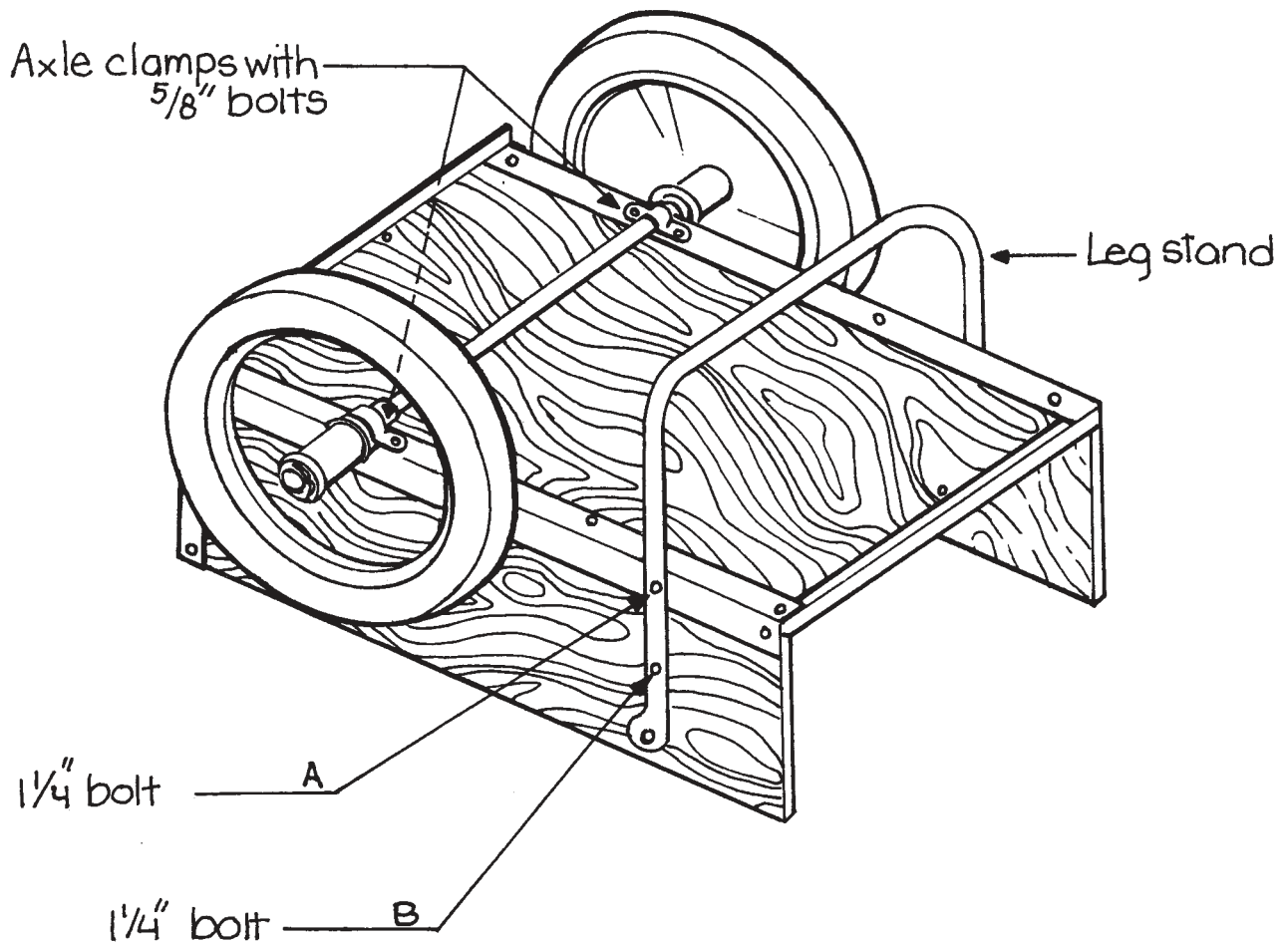


## Step 3

---

- A. Turn the cart over as shown in Figure 3.
- B. Spread apart the wheels so that they come to rest against the cotter pins. Place the axle and wheels on the cart and align the holes. Fasten these clamps with 5/8" bolts as shown in Figure 3.
- C. Slide the "Leg stand" over the sides of the cart. Align and thread 1-1/4" bolts through holes "A" and "B" into T-nuts (on both sides of cart) as shown in Figure 3.
- D. Tighten all bolts on the bottom of the cart.

**Figure 3**

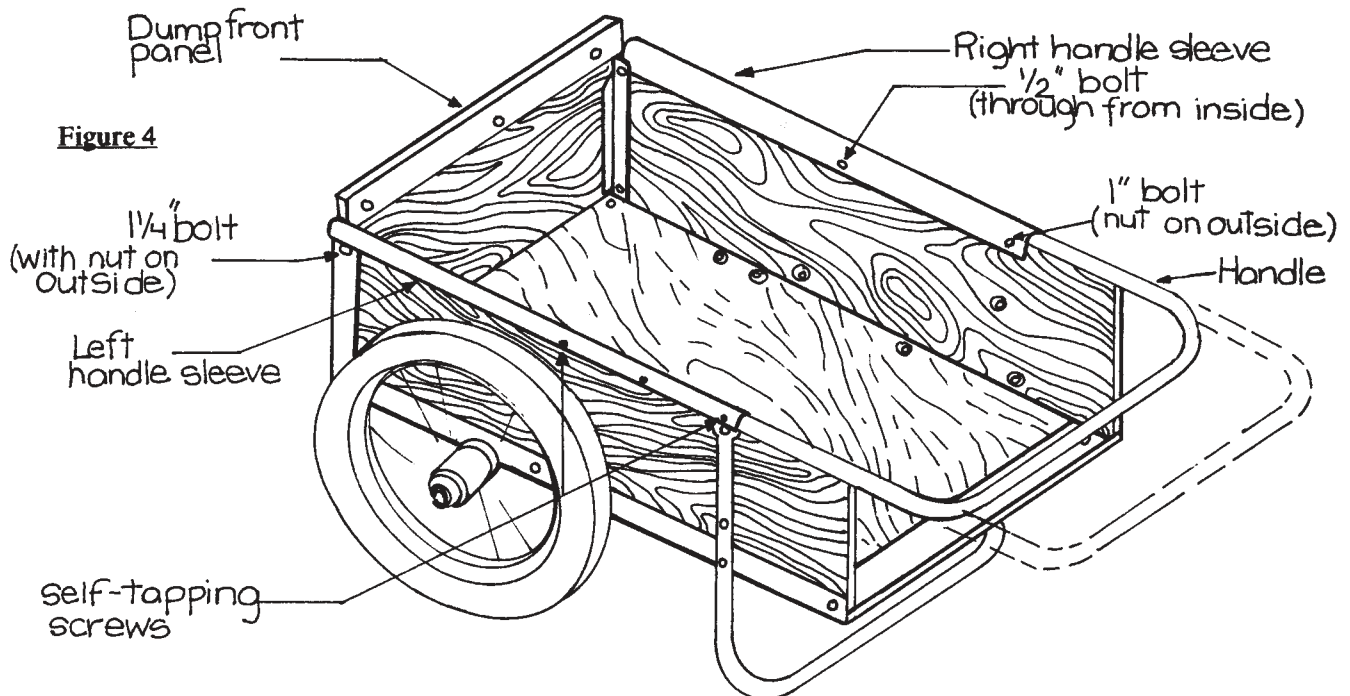


## Step 4

---

- A. Turn cart over as shown in Figure 4.
- B. Place “Right handle sleeve” over right side panel ( wide side of handle sleeve to inside of cart.) The wide side of the handle sleeve must be placed between side panel and aluminum angle. Insert 1-1/4" bolt through top hole of aluminum angle and fasten with lock nut on outside of cart. See Figure 4 for reference.
- C. Repeat Step 4 for the left side.
- D. Slide “Handle” into handle sleeves. (You may need to tap the handle in with a hammer.) Align holes in handle with those of the left handle sleeve (handle may be placed in one of two positions), then fasten with self-tapping screws. Repeat for right side. Note: with handle in extended position, use rear and center holes for self-tapping screws. See Figure 4 for reference.
- E. Slide “Front panel” down between front assembly and aluminum angles. Adjust aluminum angles by moving them in or out so that the panel will slide in and out easily, then tighten the four bolts that attach the aluminum angles to the cart. Recheck dump front panel to see that it slides freely.
- F. Tighten all the bolts on the cart.

**Your cart is now ready to use!**



# MAINTENANCE AND CARE FOR YOUR MODEL 20 HOME AND GARDEN CART

---

- Do: Protect your cart from sever weather whenever possible
- Do: Refinish your cart yearly with a good grade of exterior water base stain.
- Do: Tighten hardware periodically; it will loosen under normal use.
- Do: Lubricate wheel ball bearings with a light machine oil such as “3 in 1” two drops in both sides of bearings once a year. Caution: Do not over-oil; over-oiling attracts dirt and dust.
- Do: Periodically check tire pressure. Overtime, tires will normally lose air pressure. Inflate to a maximum of 35 PSI. Caution: Do not over-inflate.

## HOME AND GARDEN CART SAFETY:

---

Your cart is designed to have a balance point which allows you to move loads with ease. Due to this design you must observe a few simple safety precautions.

- **Never** walk down a hill or grade pulling the cart behind you. You could trip or fall, losing control of the cart.
- **Always** use cation when traversing on hill sides.
- **Never** sit or stand in or on the cart.
- **Always** balance your load.
- **Never** push a loaded cart over curbs and logs.
- **Never** tow the cart with a motorized equipment or vehicles.

**SPECIAL CAUTION:** When re-inflating tires, inflate to a maximum of 35 PSI. Over-inflation of tires could cause serious injury.



Call Toll Free: 1-800-732-7417 ♦ 1-802-626-4178 ♦ Fax 1-802-626-6191  
P.O. Box 54 ♦ Lyndonville, VT 05851

**[www.cartsvermont.com](http://www.cartsvermont.com)**