

Chainsaw Buddy

Model #: TMW-31

Features:

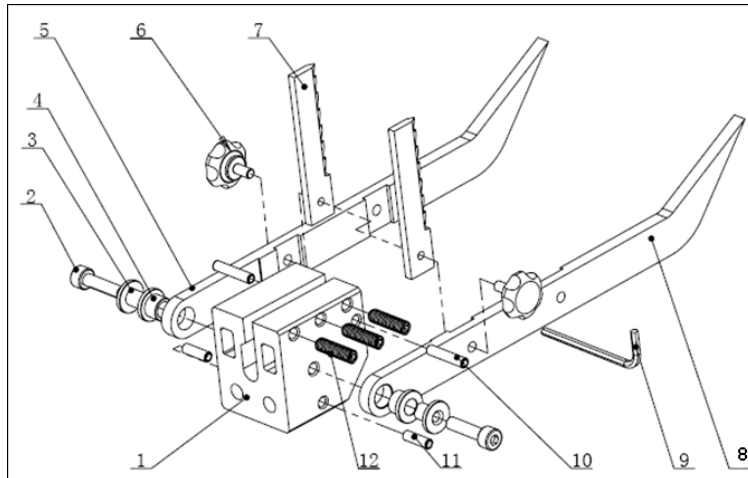
- Attaches to most chain saw bars 14" and larger
- Two adjustments for log diameters up to 4" & 8"
- Swing arms hold logs/branches off the ground
- Serrated log stops hold log in-place
- Lightweight and durable material



Benefits:

- Keeps bar from digging into the dirt
- No bar modifications needed
- Saw chains last longer
- A Safer way to cut logs/branches

Diagram & parts list:



1	Main block	1pc	5	TWM-31-2B	1pc	9	Allen wrench	1pcs
2	Nut M8X25	2pcs	6	Knob M6	2pcs	10	6-30 stop pin	2pcs
3	Inner sleeve	2pcs	7	Saw knife	2pc	11	6-20 stop pin	2pcs
4	Outer sleeve	2pcs	8	TWM-31-2A	1pc	12	4-30 set screw	3pcs

Carton Dimension: 14" x 4.5" x 3.25"

Ship Weight: 3 lbs

UPC: 7-32393-00335-0

