

Root Feeder® Instructions

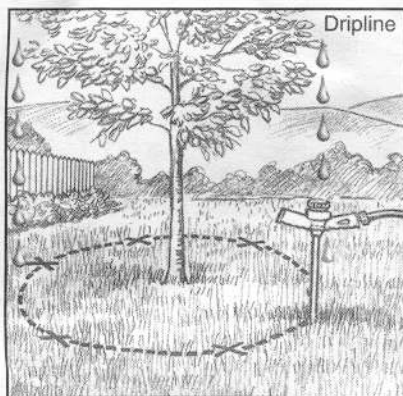
Model 1200C

Congratulations!

You are now the owner of one of the finest tools available for feeding and watering trees, shrubs, roses and other garden plants. Professional landscapers and horticulturists agree that root feeding is the best method of guaranteeing that both food and water will reach the plant's feeding zone.

Healthy Trees and Shrubs are Beautiful

With repeated feedings, a constant supply of food and water is made available at the roots to serve the plant's seasonal needs. Mature trees remain vigorous; roses and flowering shrubs produce better blooms.



If you have a problem...

Your ROSS Root Feeder was inspected, thoroughly water tested and in good operating condition when it was shipped from the factory. If a minor problem occurs, it can usually be remedied quite easily when the cause is determined. This list is provided for your convenience.

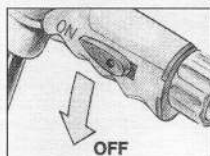
Problem	Cause	Solutions
a) Feed tube is difficult to put into ground	1) Soil is very hard packed.	1) Be sure water is running slowly when inserting tube. Water creates an auger-type action to allow easy tube insertion.
	2) Hit an obstruction like a large rock or root.	2) Try another location. Feed tube may be going too deep.
b) Water leakage	1) Foreign matter in cap or hose threads.	1) Clean connection thoroughly.
	2) Washer worn out or missing. (part# 25240)	2) Get replacement parts from Easy Gardener, Inc.
	3) Check valve diaphragm. (part# 26470)	3) Get replacement parts from Easy Gardener, Inc.
	4) Bad hose connection.	4) Be sure hose threads are clean and undamaged.
c) Refills dissolve too slowly.	1) Variation in water pressure.	1) Break refills in half.
	2) Feed tube outlet holes may be plugged.	2) See solutions to problem "e)" below.
d) Refills dissolve too quickly.	1) Refills pick up moisture from the air if not resealed properly.	1) Reseal unused refills tightly. (It is OK to use these refills, but make sure to water for 3-5 minutes).
e) Water does not flow freely through tip.	1) Soil or sand lodged in tip.	1) Use small nail or paper clip to clean out foreign matter.
		2) Make sure water is flowing when you remove tip from ground.
f) Water rises from feed tube hole.	1) Soil is very compact.	1) Water will soak back in with no loss of fertilizer effect.
	2) Water pressure too high.	2) Slow down water flow.

How to use Your ROSS Root Feeder®

1. Choose the correct amount of fertilizer and tool insertion depth from the chart on the fertilizer refill package.
2. Place fertilizer refills in Root Feeder chamber. **For your safety, be sure lid is fully screwed in place and tightened - Use of safety glasses is recommended.** (If lid leaks, clean washer, washer groove and bottom of lid). Make sure the holes on the Root Feeder tip are not clogged.



Model 1200C



Model 1200C

3. With the Root Feeder's water flow valve in the OFF position (down), connect to a garden hose and turn water on.
4. Turn on Root Feeder's valve slightly until a small stream of water flows out the tip of the feeding tube. Keep stream away from skin or clothing.
5. As water saturates soil, insert Root Feeder to the correct depth under outer branches (dripline) of tree or shrub. (See recommended insertion depth for each Root Feeder Refill type on the back of package). Dimples stamped on the shaft 6 inches and 12 inches up from the tip will help locate those depths. Give water time to soften soil and create a "drilling" action. **NEVER place the Root Feeder at the tree trunk or base**, as this will cause irreparable root burn damage to your plant. **DO NOT hammer, strike or use excessive force to insert feeder tube.**
6. Slowly turn water flow valve to appropriate position. For shallow rooted plants turn valve halfway on. For large trees turn valve fully to "on" position. Water pressure does the rest! If water rises to the soil surface, reduce the rate of flow. If soil is dry, continue root watering after fertilizer refills have dissolved.
7. To prevent clogging, allow a small stream of water to flow out of the feed tube as the tip is removed from the soil.
8. Repeat the above steps at equal intervals along a ring around the plant's dripline. Divide the recommended number of refills from the package by the number of intervals to deliver the right amount of fertilizer at each feeding location. (Example: 12 refills divided by 6 intervals = 2 refills per interval).

ROSS Three-year Limited Warranty

Easy Gardener warrants each new Model 1200C ROSS Root Feeder® for three (3) years from the date of purchase, according to the following terms:

The warranty extends to the original retail purchaser only and is conditioned upon the completion and mailing of the enclosed Warranty Registration Form within thirty (30) days from the date of purchase. Any ROSS Model 1200C Root Feeder® unit or part thereof found to be defective in material or workmanship will be replaced without charge for unit/parts and labor provided:

- You have sent in your warranty form.
- Request all repair parts in writing, by telephone (800) 327-9462 or (254)753-5353, or by fax (254)753-5372. **Do not send in defective Root Feeder.**
- Only Ross Refills were placed into the Root Feeder chamber.

This warranty does not cover any unit or part which has been lost or subjected to misuse, neglect or accident. Easy Gardener assumes no responsibility for any consequential damages.

ALL IMPLIED WARRANTIES ARE LIMITED IN DURATION TO THE THREE (3) YEAR WARRANTY PERIOD. ACCORDINGLY, ANY SUCH IMPLIED WARRANTIES INCLUDING MERCHANTABILITY, FITNESS FOR A PARTICULAR PURPOSE, OR OTHERWISE, ARE DISCLAIMED IN THEIR ENTIRETY AFTER THE EXPIRATION OF THE THREE (3) YEAR WARRANTY PERIOD. THE OBLIGATION UNDER THIS WARRANTY IS STRICTLY LIMITED TO THE REPLACEMENT OF DEFECTIVE PARTS.

Feed & Water Throughout the

Growing Season

Spring to Early Summer

Begin feeding all landscape plantings at the first sign of spring growth and follow a regular feeding schedule through early summer. Early feedings will encourage the development of sturdy, deep root systems and strong, more wind resistant plants.

Mid to Late Summer

Midsummer is danger time! Burning sun, drying winds and drought conditions can all take their toll on plants. Trees are among the last to show the damage of drought and malnutrition. Their death occurs slowly and over a period of several years. To enjoy the beauty of spring all summer long, it is essential to provide trees and shrubs with adequate moisture by watering with your ROSS Root Feeder® throughout hot summer months.

Watering requirements will vary depending on local soil type, amount of moisture already in the soil and plant watering needs. Under normal water pressure, a Root Feeder will deliver 1-1/2 to

2-1/2 gallons of water per minute. Insert the tool's shaft into the soil under the branches dripline - 6 inches of the way in for shrubs and 12 inches of the way in for trees. Dimples stamped on the metal will help locate those depths. Contact your local county extension agent or plant nursery to obtain watering information for your specific plant variety and locality.

Yellowing leaves in early to midsummer may mean iron chlorosis has developed. Replenish available iron in the soil with a root feeding treatment using ROSS Green Again® Fertilizer.

To heighten blooms on flowering shrubs, feed after each blooming cycle.

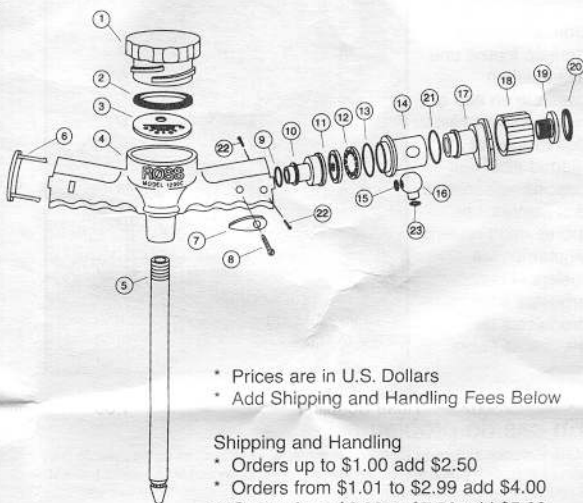
Fall to Early Winter

When leaves have fallen, feed all your plantings thoroughly with the appropriate fertilizer refill. You need to feed your evergreens during this time as well. The food stored in plant tissue and root system during winter months results in a significant increase in early growth the following spring.

In cold weather areas, taper off feeding six weeks before anticipated killing frost to discourage tender new growth.

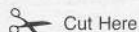
Model 1200C Replacement Parts

Index	Part No.	Part Description	Unit Price*
1	24208	Lid	\$ 1.63
2	25103	Lid Washer	.28
3	24645	Body Screen	.55
4	21006	Molded Body	7.45
5	57752	26 1/2" Steel Feed Tube & Tip	4.25
6	23835	End Cap	.59
7	24776	Water Flow Valve	.44
8	28580	2- 32 x 11/16 Lever Screw	.16
9	25459	113 Lower CV Housing O-Ring	.08
10	24668	Check Valve Housing	.59
11	26470	Check Valve Diaphragm	.85
12	27780	Check Valve Screen	.14
13	25451	115 BV Housing O-Ring	.12
14	24661	Ball Valve Housing	.59
15	25435	011 BV O-Ring	.06
16	24677	Ball Valve	.44
17	24653	Ball Valve Retainer	.59
18	23802	Hose Coupling	1.06
19	21882	Plastic Swivel	.70
20	25240	Lock Washer	.26
21	25478	014 BV Retainer O-Ring	.04
22	28581	4-24 x 3/8 BT Screws (2 req.)	.09
23	25400	010 Stem O-Ring	.06



* Prices are in U.S. Dollars
* Add Shipping and Handling Fees Below

Shipping and Handling
* Orders up to \$1.00 add \$2.50
* Orders from \$1.01 to \$2.99 add \$4.00
* Orders from \$3.00 to \$7.50 add \$5.00
* Orders from \$7.51 and over add \$6.00



Cut Here

Warranty Form

Thank you for buying a ROSS Root Feeder! We believe you made an excellent choice! Please fill in and mail this Warranty Registration Form. The information you provide will insure your warranty goes into effect and will also help us serve you better in the future.

PLEASE PRINT CLEARLY

Mail to: Ross Root Feeder Warranty, P.O. Box 21025, Waco Texas 76702-1025

Ross Root Feeder Model No. _____ Date: _____

Name: _____

Address: _____

City: _____ State: _____ Zip: _____

Purchased By: Male Female Age: 18-39 40-55 56+ Household Annual Income _____ (optional)

Most important reason for purchase is: 1. Watering 2. Fertilizing 3. Controlling Insects

Mainly used on: 1. Trees 2. Shrubs 3. Roses 4. Fruits/Vegetables

How did you learn about this product:

1. TV 2. Radio 3. Newspaper Ad 4. Magazine Ad 5. Newspaper/Magazine story 6. Salesperson
7. Friend/Relative 8. Store Display 9. Local Spokesperson 10. Other _____

Purchased from: 1. Discount Store 2. Hardware Store 3. Home Center 4. Garden Center 5. Other _____

Is this your: 1st 2nd 3rd Root Feeder?

Have you ever purchased Ross Fertilizer/Refills? 1. Yes 2. No

