

REELCRAFT

OPERATING INSTRUCTIONS
AND PARTS LIST FOR

SERIES 30000

HOSE REELS



- MANUAL DRIVEN -



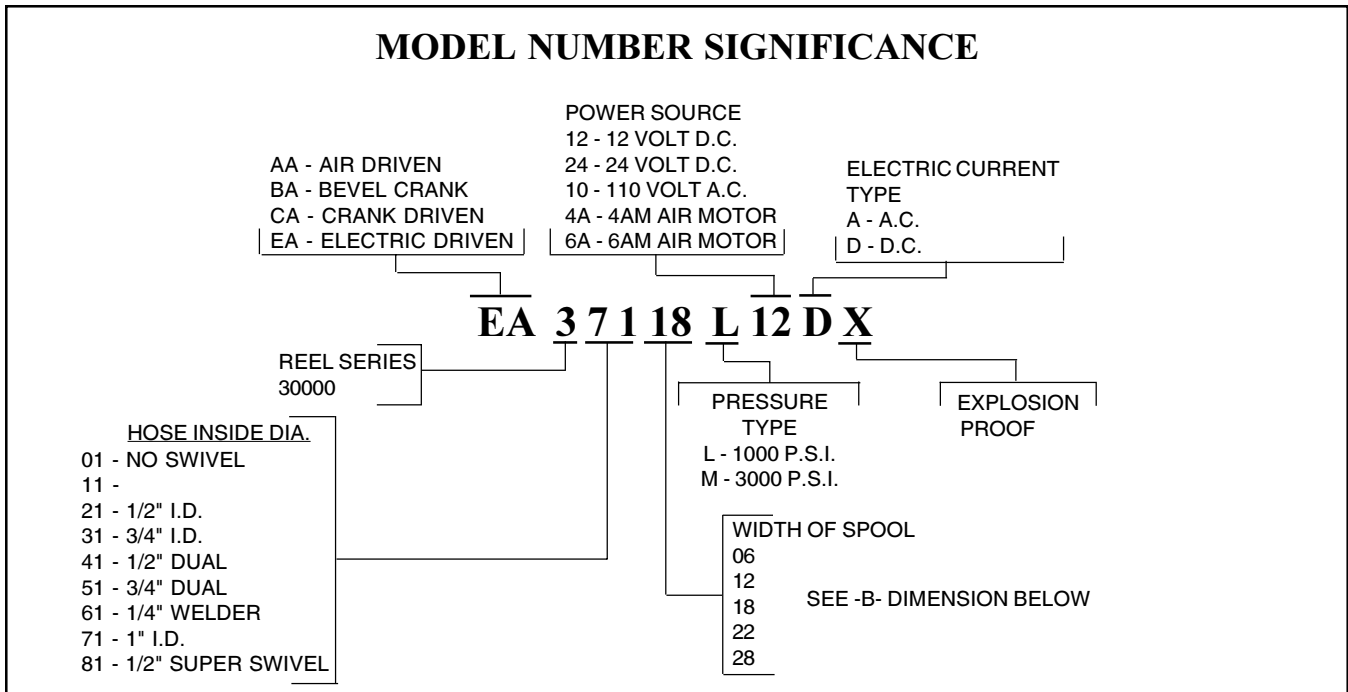
- POWER DRIVEN -

Form No. 1109-1101
Rev: 6/02

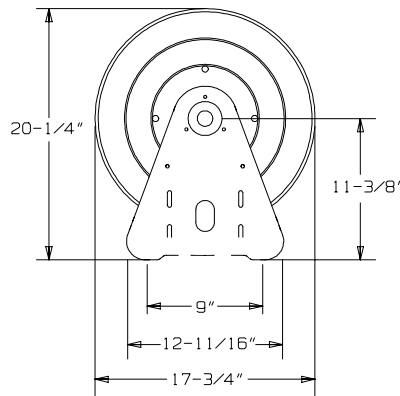
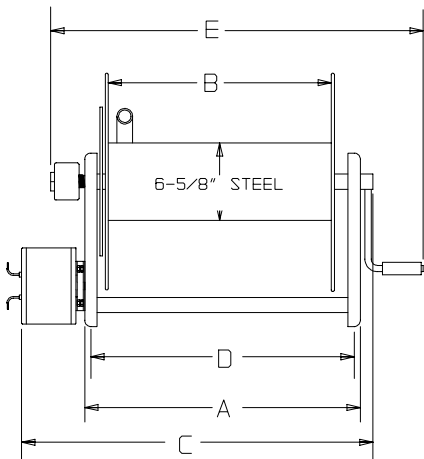
IMPORTANT
 READ THIS MANUAL CAREFULLY BEFORE INSTALLING,
 OPERATING, OR SERVICING THIS EQUIPMENT

REELCRAFT -MODEL NUMBER SIGNIFICANCE

A coded model number found on the reel nameplate indicates parameters and characteristics of that particular hose reel. Use the following diagram to verify your reel.



DIMENSIONAL DATA



PARTNUMBER	-A-	-B-	-C-	-D-	-E-
CA37218 L	23"	18"		21 3/4"	31"
EA37218 L12D	23"	18"	31 1/4"	21 3/4"	

PERSONNEL SAFETY

Personnel injury and/or equipment damage may result if proper safety precautions are not observed.

- Ensure that the reel has been properly installed before connecting supply line (see installation instructions).
- Bleed fluid/gas pressure from system before servicing reel.
- Before connecting reel to supply line ensure that supply line pressure does not exceed maximum rated working pressure of reel.
- Do not play pranks on other personnel. Even low pressure is very dangerous and can cause irreparable damage or death.
- Do not wear loose fitting clothing while operating reel.
- Be aware of other personnel in work area.
- Be aware of other machinery in work area.
- If a leak occurs in the hose or reel, remove supply line pressure immediately.
- If the reel is power driven check for loose, frayed, and/or broken wires before operating.
- Treat and respect a hose reel as any other piece of machinery, observing all common safety practices.

INSTALLATION INSTRUCTIONS

Inspection

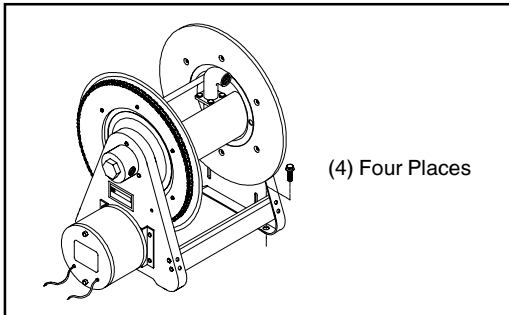
Unpack and inspect reel for damage. Turn the reel by hand to check for smooth operation. Check for completeness.

Mounting Of All Hose Reels

NOTE

Ensure that mounting surface is flat to prevent binding on reel after it is mounted.

- 1) Two 1/2" diameter mounting holes are located at the base of each side support panel (2 each). Mount reel using four (customer supplied) bolts; tightening them securely to ensure a solid, rigid attachment.

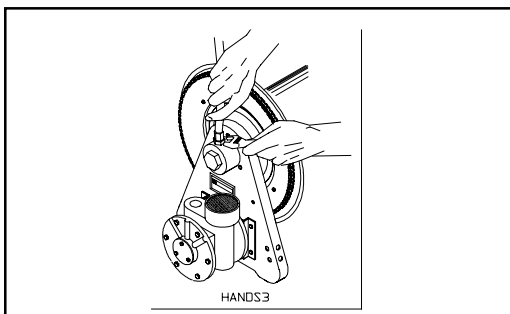


- 2) Perform the following steps only after all other installation steps, pertaining to your particular reel, are accomplished. Refer to page 4 for special instructions.

NOTE

A flexible hose connection must be used to compensate for any offset between the supply line and reel swivel.

- 3) Apply thread compound to all threads.
- 4) Thread male connector of supply line into swivel. Tighten securely.



Manual Driven Reels

Additional mounting instructions are not required.

Power Driven Reels

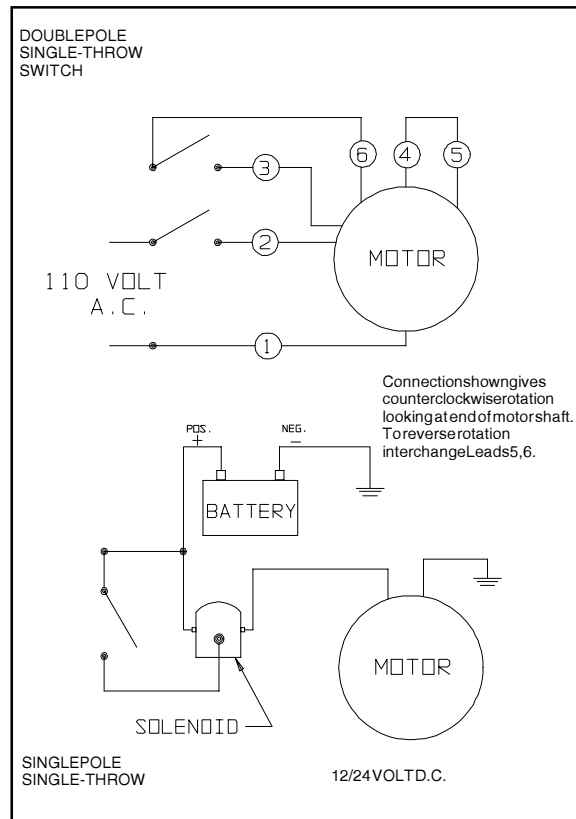
- 1) Determine which end of reel, motor is to be mounted on. If the original factory configuration is not conducive to your application see section in this manual titled, "MODIFICATIONS."

CAUTION

Remove all electrical power when wiring. Do not "hot-wire".

Observe all applicable NEC/OSHA requirements.

- 2) Ensure that supply and motor voltage ratings are compatible.
- 3) Consult wiring diagrams (below) and determine which one is applicable to your reel.
- 4) Perform electrical wiring following applicable diagram.



OPERATING INSTRUCTIONS

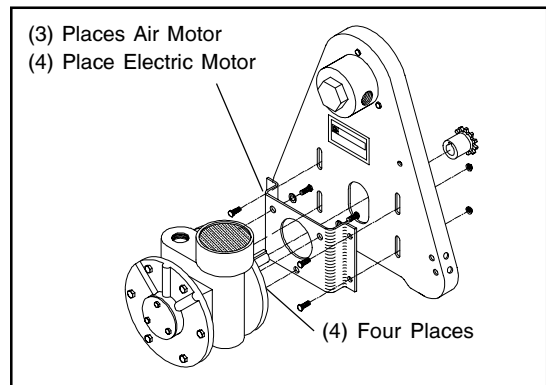
WARNING-PREVENT STATIC SPARKING

When working around flammable liquids such as solvents, paints, chemicals, or petroleum products, ensure that the hose reel, hose, and the equipment being serviced are properly grounded. Use grounded hose(s) (static wire). Use an ohmmeter to check continuity of the ground circuit. Fire and/or explosion can result if proper grounding is not achieved. If reel is power or air driven be careful of chain/sprocket drive system. Keep hands clear. Do not wear loose fitting clothing. Pull hose from the reel by grasping the hose itself, not the control handle or swivel.

Replacing The Motor

Before replacing the motor remove all electrical power (power driven) or air pressure (air driven) from motor.

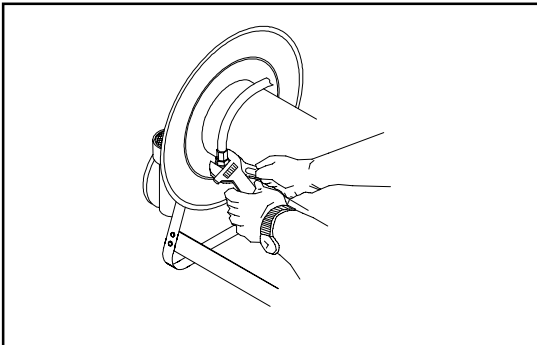
- 1) Disconnect wiring/air lines from motor.
- 2) Remove bolts securing motor mounting bracket to reel. Remove bracket. (See diagram on next page).
- 3) Remove bolts attaching motor mounting bracket to motor. Remove motor.
- 4) Install new motor by reversing steps 1 through 3 above.



SERVICE INSTRUCTIONS

Replacing The Hose

- 1) Using a wrench, firmly hold on to the connecting tube assembly while removing hose connector.
- 2) Follow procedures for "Connecting The Hose" (See Installation Instructions).



Replacing The Swivel

CAUTION

Remove supply line pressure before performing the following procedure.

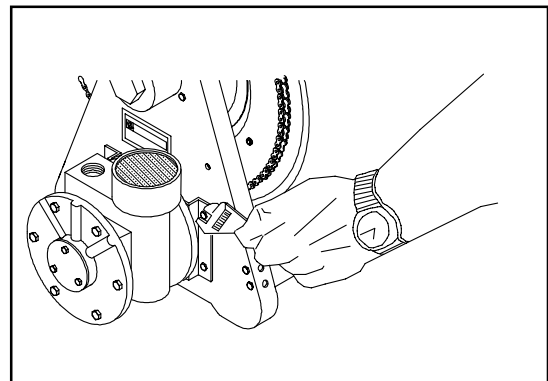
- 1) Remove supply line from swivel.
- 2) Remove swivel assembly from inlet shaft.
- 3) Install swivel assembly to inlet shaft by reversing steps 1 and 2. Apply thread compound to all threads.

Replacing The Chain

CAUTION

Before replacing the chain remove all electrical power (power driven) or air pressure (air driven) from motor.

- 1) Loosen (do not remove) bolts securing motor mounting bracket in place.
 - 2) place.
 - 3) Remove chain master-link.
- Install new chain by reversing steps 1 and 2 above.



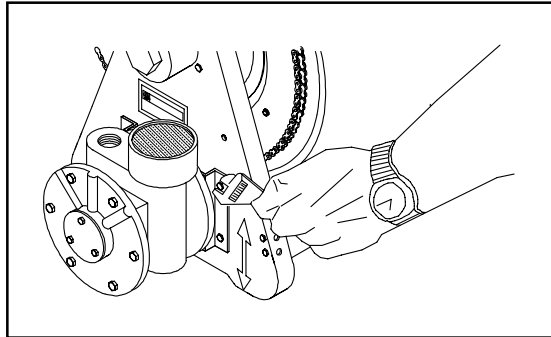
Adjusting Chain Tension

CAUTION

Before adjusting the chain tension remove all electrical power (power driven) or air pressure (air driven) from motor.

Over-tensioned (tightening) of chain results in reduced motor life. Adjust to allow between 1/4 and 1/2 inch play in chain.

- 1) Loosen bolts (do not remove) securing motor mounting bracket to reel.
- 2) Move motor mounting bracket and motor until proper chain tension is obtained.
- 3) Tighten motor mounting bracket bolts.



MODIFICATIONS

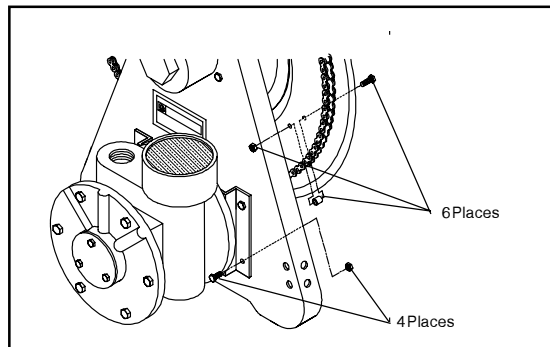
CAUTION

Remove electrical reel power and release all pressure from hoses before beginning any modification.

Motor Mounting

If it is desired that the motor be mounted on the opposite end of the hose reel:

- 1) Remove bolts securing motor mounting bracket and sprocket to reel assembly.
- 2) Assemble components to other end of reel.



Crank Driven to Motor Driven Conversion

It is possible to convert a manual driven hose reel to a power or air driven type. Contact Reelcraft factory for information.

PARTS COMMON TO ALL 30000-1" SERIES HOSE REELS

ITEM	PART NO.	DESCRIPTION	QTY
1	600682-2	Swivel Ass'y	1
2	S318-48	Screw, 5/16-12 x 5/8"	9
3	260403	Side Frame	2
4	261600	Inlet Shaft	1
5	S85-7	Nut, 5/16-18	8
6	260399-3	Spool Flange	2
7	300007	Snap Ring 1 1/4"	4
11	260402-300	Tie Rod	4
12	260862-3	Spacer	4
13	600640	Hub & Bushing	2
14	300006	Set Screw, 3/8-16 x 1/2"	2
15	280109	Lock Handle Ass'y	1
16	300089	Set Screw	1
17	S137-4	Snap Ring 1/2"	1
18	600102	Crank & Handle	1
19	260770	Support Shaft	1
20	S2-51	Screw, 5/16-18 x 1/2"	8
21	261501-3	Cross, Brace	2
22	300107	Nut, 5/16-18	8
23	S2-42	Screw, 1/4-20 x 5/8"	3
24	S281-4	Lock Nut	3
25	S140-36	Snap Ring 1 1/2"	2
26	600800	Bearing Ass'y	1
27	261395	U-Bolt	1
28	300070	Nyloc Nut 1/4-20	1
29	261601	Hub & Bushing Ass'y	1

HOW TO ORDER REPLACEMENT PARTS

Please provide the following information:

- Model Number
- Serial Number
- Parts Description and Number
as shown in Parts List

Address order to:

Reelcraft Industries, Inc.
One Reelcraft Center
P.O. Box 248
Columbia City, IN 46725-9987

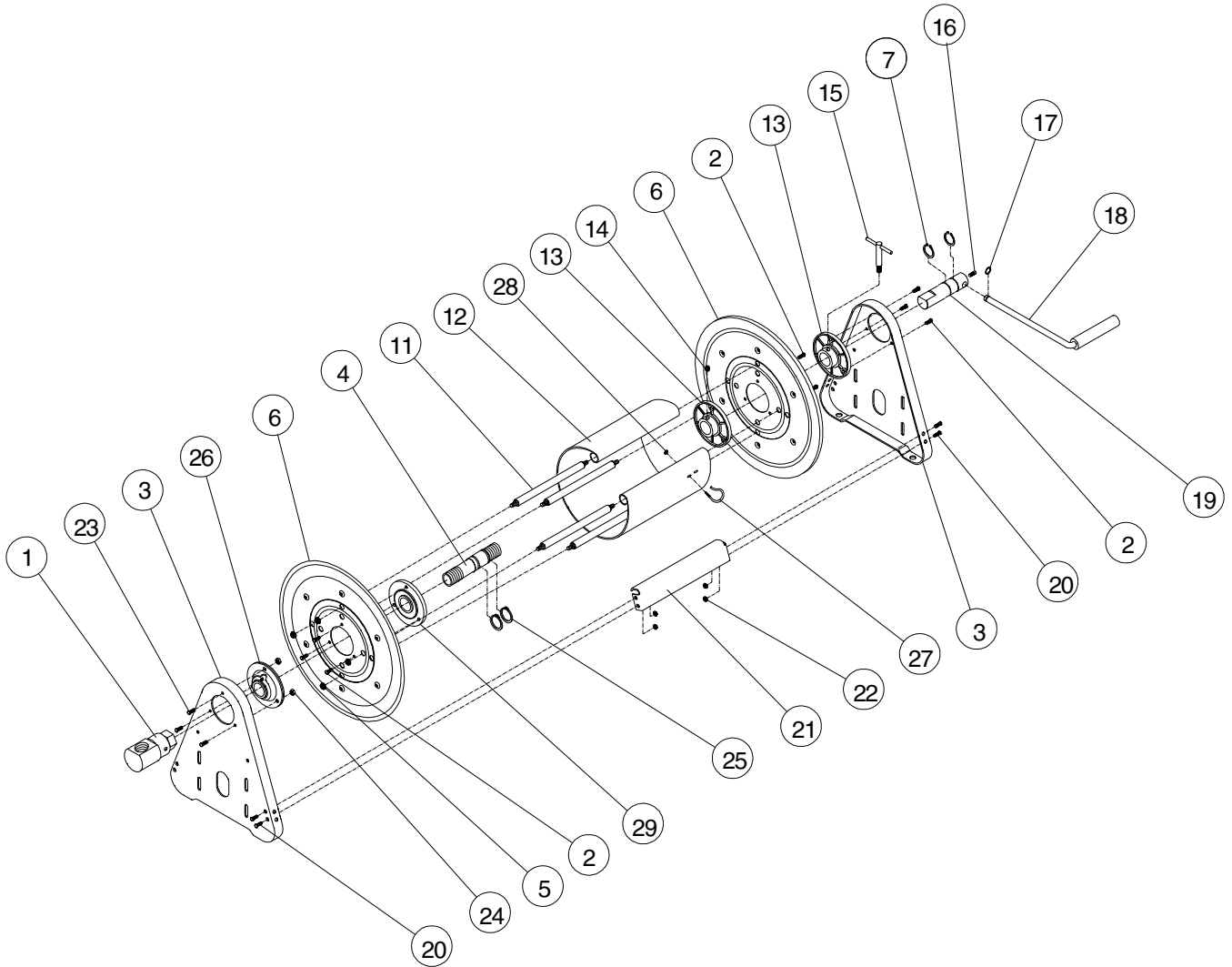
For assistance phone 260-248-8188, or 1-800-444-3134

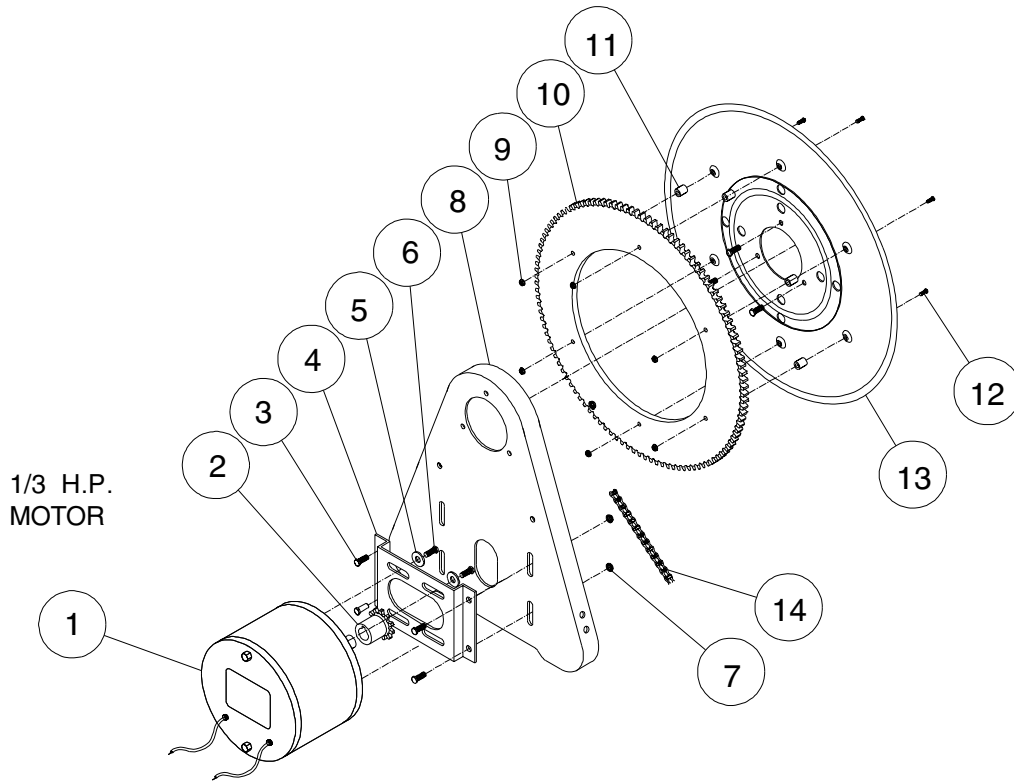
LIMITED ONE YEAR WARRANTY

ALL PRODUCTS MANUFACTURED BY REELCRAFT INDUSTRIES, INC., ARE WARRANTED TO BE FREE OF DEFECTS IN MATERIAL AND WORKMANSHIP FOR TWELVE (12) MONTHS FROM THE DATE OF SHIPMENT, EXCEPT HOSE AND POWER MOTOR.* REELCRAFT'S LIABILITY SHALL BE LIMITED TO REPAIR OF DEFECTIVE MATERIAL WITHIN THE WARRANTY PERIOD WHEN RETURNED FREIGHT PREPAID TO ITS PLANT OR TO A SERVICE DEPOT DESIGNATED BY REELCRAFT.

THE WARRANTY DOES NOT COVER DAMAGE CAUSED BY ACCIDENT, ABUSE, OR FAULTY INSTALLATION. REELCRAFT PRODUCTS MUST BE INSTALLED AND MAINTAINED IN COMPLIANCE WITH THE MANUAL OF INSTRUCTIONS FURNISHED WITH EACH REEL.

*Power motor is warranted separately by motor manufacturer for a period of twelve (12) months.





PARTS COMMON TO ALL MOTORIZED 30000 SERIES HOSE REELS

ITEM	PART NO.	DESCRIPTION	QTY.
8	260403 REF.	Side Frame	-
9	S79-3	Flange Nut 10-32	6
10	260407	Spool Gear	1
11	260410	Spacer, Gear	6
12	S27-112	Screw 10-32 x 1 1/8"	6
13	260399-3 REF.	Spool Flange	-
14	260406	Chain, Drive #35	1

PARTS COMMON TO 1/3 HORSE POWER MOTOR DRIVEN REEL (REFERENCE MODEL NUMBER SIGNIFICANCE)

ITEM	DESCRIPTION	QTY.	X12D
1	Drive Motor	1	260409
2	Gear, Motor	1	260408
3	Screw 5/16-18 x 5/8"	4	S2-52
4	Bracket, Motor	1	260405
5	Washer	4	300039
6	Screw 5/16-18 x 5/8"	4	S2-52
7	Lock Nut 5/16-18	4	S85-7