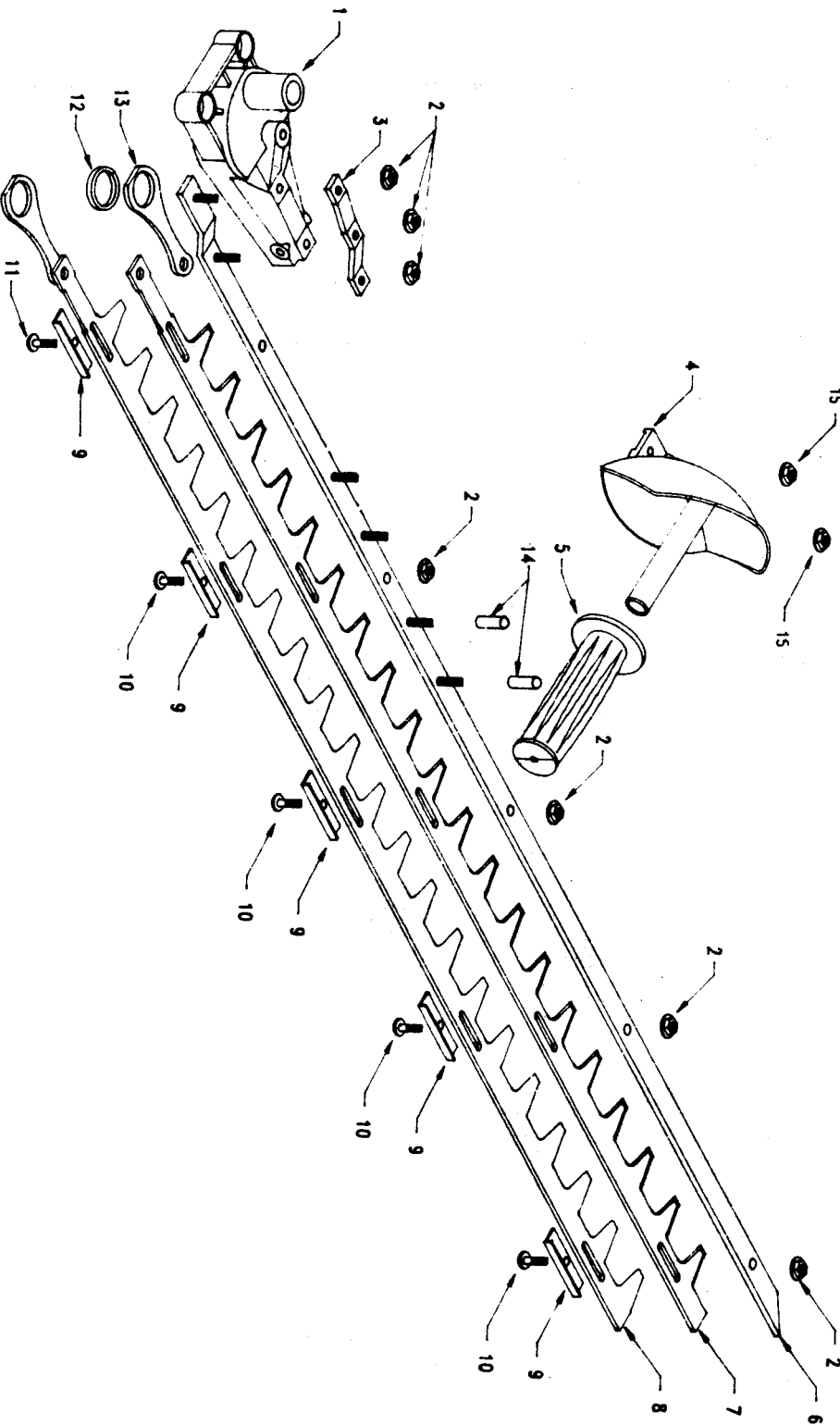


| Key No. | Part No. | Description | Qty. |
|---------|----------|---|------|
| 1 | 300000 | Gear Housing Assembly | 1 |
| 2 | 16-54B | 1/4-28 Whiz Flange Locknut (For Model 2230S) | 7 |
| 2 | 16-54B | 1/4-28 Whiz Flange Locknut (For Model 2242S) | 9 |
| 3 | 300300 | Frame Bar Brace | 1 |
| 4 | 300200 | Side Handle | 1 |
| 5 | 300201 | Grp | 1 |
| 6 | 300310 | 30" Frame Bar (For Model 2230S) | 1 |
| 6 | 300314 | 42" Frame Bar (For Model 2242S, Not Shown) | 1 |
| 7 | 30-2 | 30" Inside Blade (For Model 2230S) | 1 |
| 7 | 42-2 | 42" Inside Blade (For Model 2242S, Not Shown) | 1 |
| 8 | 30-1 | 30" Outside Blade (For Model 2230S) | 1 |
| 8 | 42-1 | 42" Outside Blade (For Model 2242S Not Shown) | 1 |

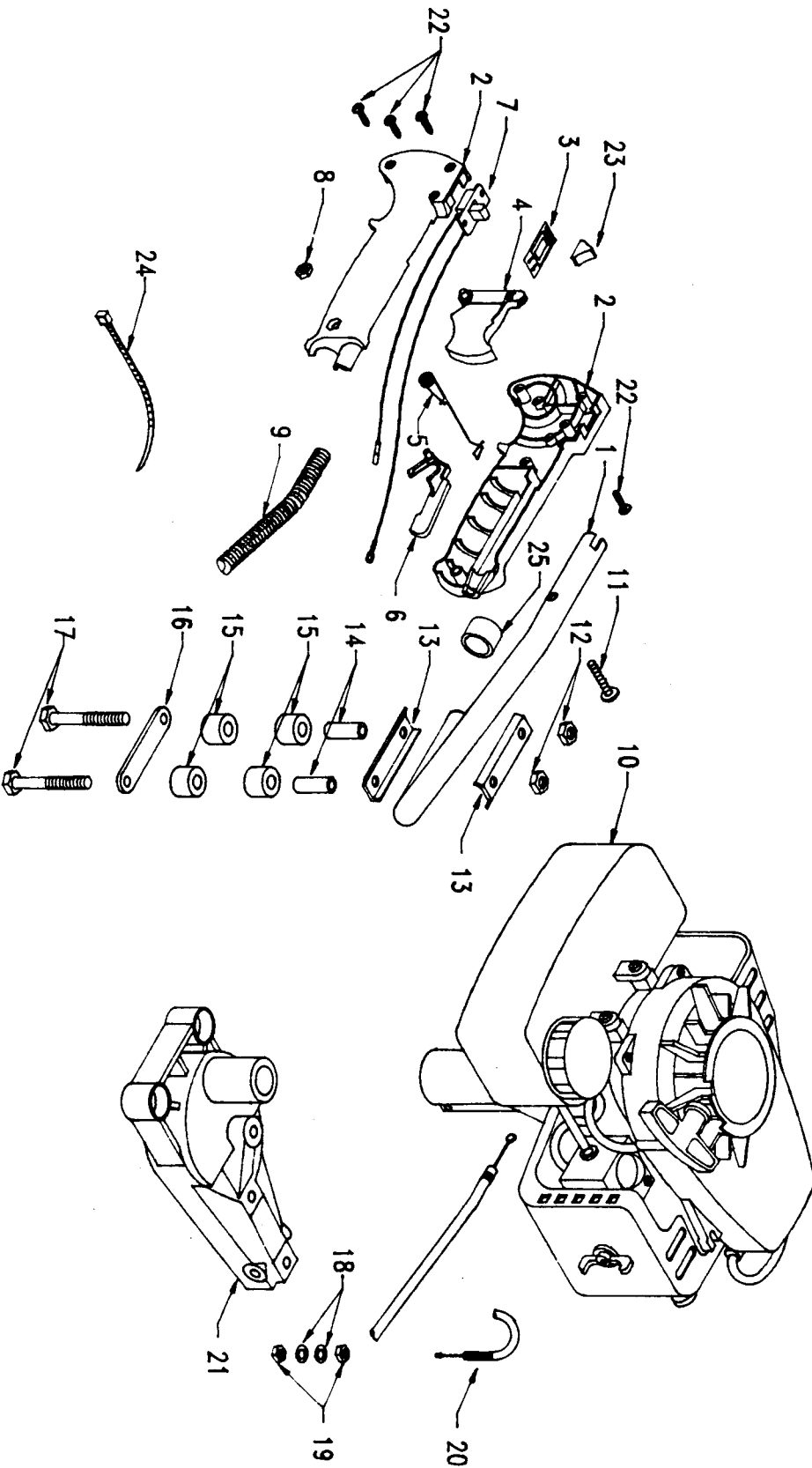
| Key No. | Part No. | Description | Qty. |
|---------|----------|---|------|
| 9 | 16-93 | Blade Guard (For Model 2230S) | 5 |
| 9 | 16-93 | Blade Guard (For Model 2242S) | 7 |
| 10 | 16-54A | Large Head Phillips Screw (For Model 2230S) | 4 |
| 10 | 16-54A | Large Head Phillips Screw (For Model 2242S) | 6 |
| 11 | 300504 | Large Head Screw 1/4-28 x 7/8 | 1 |
| 12 | 16-65 | Connecting Rod Spacer | 1 |
| 13 | 16-64 | Connecting Rod | 1 |
| 14 | 300316 | Thread Protector (For Model 2230S) | 1 |
| 15 | 3036-B | 1/4-28 Flange Locknut | 2 |



SINGLE SIDED TRIMMER
CUTTING BAR AND SIDE HANDLE ASSEMBLY

| Key No. | Part No. | Description | Qty. |
|---------|----------|------------------------------|------|
| 1 | 300101 | Handle | 1 |
| 2 | 300103 | Grip (Set) | 1 |
| 3 | 300117 | Switch Plate | 1 |
| 4 | 300122 | Trigger Set | 1 |
| 5 | 300108 | Trigger \ Lockout Springs | 1 |
| 7 | 300110 | Switch/Wtih Leads | 1 |
| 8 | 973 | 10-32 Lock Nut | 1 |
| 9 | 300116 | Conduit | 1 |
| 10 | 380E-48 | Engine | 1 |
| 11 | 300503 | 10-32 x 1 1/4" Machine Screw | 1 |
| 12 | 972 | 1/4-20 Lock Nut | 2 |
| 13 | 300102 | Handle Support Channel | 2 |

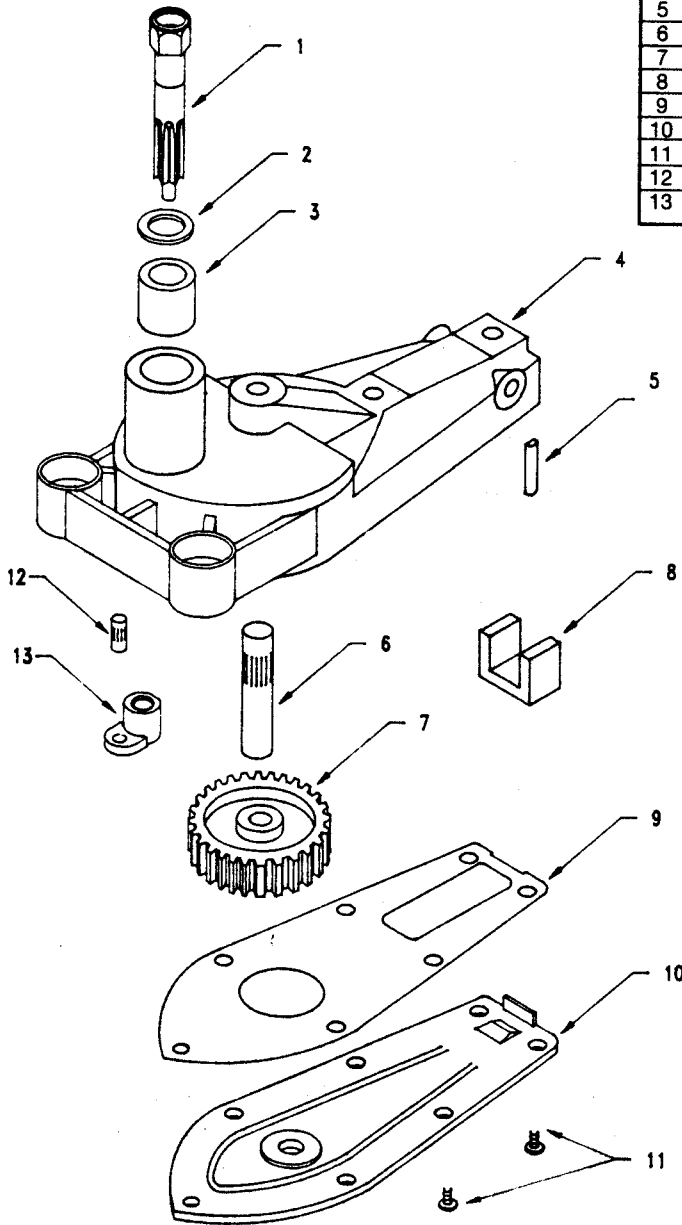
| Key No. | Part No. | Description | Qty. |
|---------|----------|------------------------------|------|
| 14 | 300113 | Spacer | 2 |
| 15 | 300111 | Shock Absorber | 4 |
| 16 | 300112 | Support Plate | 1 |
| 17 | 300505 | 1/4-20 x 2 1/2" Bolt | 2 |
| 18 | 300502 | 6MM Star Lock Washer | 2 |
| 19 | 300500 | 6MM Nut | 2 |
| 20 | 300115 | Throttle Cable | 1 |
| 21 | 300000 | Gear Housing Assembly | 1 |
| 22 | 300511 | 7/8" Phillips Pan Head Screw | 4 |
| 23 | 300109 | Switch Cap | 1 |
| 24 | 300118 | Cable Tie | 1 |
| 25 | 376-1 | Handle End Cap | 1 |



SINGLE SIDED TRIMMER
ENGINE AND REAR HANDLE ASSEMBLY

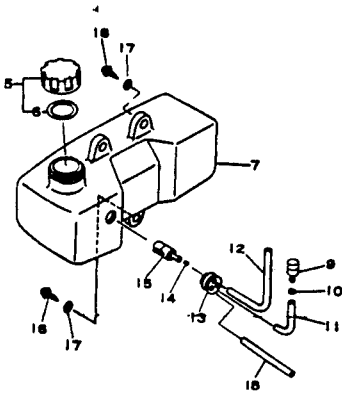
VII PARTS EXPLOSIONS

| Key No. | Part No. | Description | Qty. |
|---------|----------|---|------|
| 1 | 371 | Pinion | 1 |
| 2 | 375 | Washer | 1 |
| 3 | 374 | Upper Bushing | 1 |
| 4 | 300000 | Gear Hsg Assem. (inc. Key No. 3, 6, 12) | 1 |
| 5 | D16-56F | Wear Plate | 1 |
| 6 | 16-61 | Eccentric Shaft | 1 |
| 7 | 372 | Eccentric Gear | 1 |
| 8 | 314 | Felt | 1 |
| 9 | 319 | Gasket | 1 |
| 10 | 316 | Cover Plate | 1 |
| 11 | 16-81-1 | Cover Plate Screw | 6 |
| 12 | 16-80 | Cover Plate Pin | 1 |
| 13 | 373 | Lower Bushing | 1 |



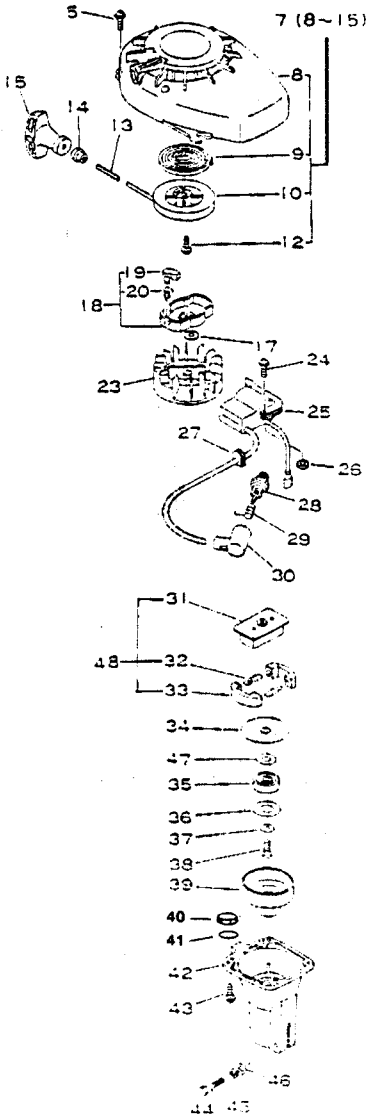
GEAR HOUSING ASSEMBLY

SV-4 (B) ENGINE FUEL TANK LAYOUT



| KEY NO. | PART. NO. | QTY | DESCRIPTION |
|---------|--------------|-----|-----------------------|
| 5 | 131004-40930 | 1 | Cap Assem., Fuel Tank |
| 6 | 131016-40930 | 1 | Gasket, Fuel Tank Cap |
| 7 | 131005-11820 | 1 | Tank, Fuel |
| 9 | 131300-40630 | 1 | Vent Assembly |
| 10 | 132013-02361 | 1 | Clip, Pipe |
| 11 | 131312-44330 | 1 | Pipe 3 x 5 x 70 |
| 12 | 132010-11520 | 1 | Pipe 3 x 5 x 210 |
| 13 | 132115-46730 | 1 | Grommet, Fuel |
| 14 | 132013-09820 | 1 | Clip |
| 15 | 131205-14930 | 1 | Strainer, Fuel |
| 16 | 900250-05014 | 3 | Screw 5 x 14 |
| 17 | 900603-00005 | 3 | Washer 5 |
| 18 | 132012-11820 | 1 | Pipe, Fuel (outer) |

SV-4 (B) ENGINE STARTER, PAWL CATCHER, AND CLUTCH ASSEMBLIES



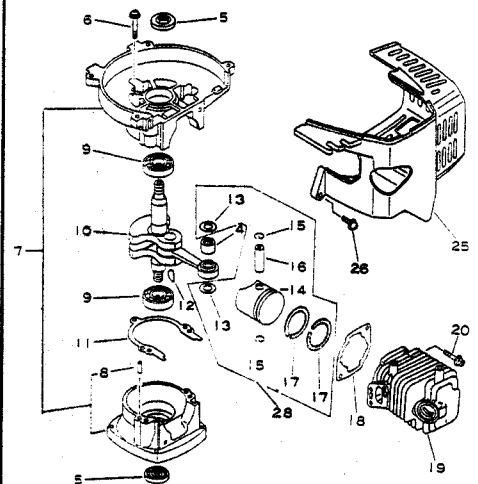
| KEY NO. | PART. NO. | QTY | DESCRIPTION |
|---------|--------------|-----|----------------------|
| 5 | 900238-04016 | 4 | Screw 4 x 16 |
| 7 | 177200-11822 | 1 | Starter Assembly |
| 8 | 101511-11522 | 1 | Cover, Fan |
| 9 | 177220-42030 | 1 | Spring, Rewind |
| 10 | 177215-42030 | 1 | Drum Starter |
| 12 | 177236-40630 | 1 | Screw |
| 13 | 177226-05530 | 1 | Rope, Starter |
| 14 | 177227-42030 | 1 | Guide, Rope |
| 15 | 177228-06530 | 1 | Grip, Starter |
| 17 | 900605-00008 | 1 | Washer 8 |
| 18 | 177202-44330 | 1 | Pawl Assem., Starter |
| 19 | 177218-44330 | 1 | Pawl, Starter |
| 20 | 177234-42030 | 1 | Spring, Return |
| 23 | 150801-44330 | 1 | Flywheel |
| 24 | 900238-04022 | 2 | Screw 4 x 22 |
| 25 | 150626-11521 | 1 | Coil, Ignition |
| 26 | 150117-09130 | 2 | Spacer |
| 27 | 156110-04920 | 1 | Grommet |
| 28 | 159010-12330 | 1 | Plug, Spark |
| 29 | 159011-03432 | 1 | Coil, Spark Plug Cap |
| 30 | 159012-01620 | 1 | Cap, Spark Plug |
| 31 | 175016-05020 | 1 | Hub, Clutch |
| 32 | 175018-05130 | 2 | Spring, Clutch |
| 33 | 175009-05131 | 2 | Shoe, Clutch |
| 34 | 175019-04630 | 1 | Plate, Clutch |
| 35 | 900808-36000 | 1 | Bearing, Ball 6000 |
| 36 | 175044-04630 | 1 | Washer, Clutch |
| 37 | 175014-11520 | 1 | Washer, Clutch |
| 38 | 900238-06012 | 1 | Screw 6 x 12 |
| 39 | 175010-04632 | 1 | Drum, Clutch |
| 42 | 610223-11520 | 1 | Flange, D.S. Housing |
| 43 | 900238-04014 | 2 | Screw 4 x 14 |
| 44 | 900100-05025 | 1 | Bolt 5 x 25 |
| 45 | 900605-00005 | 1 | Washer, Spring 5 |
| 46 | 900600-00005 | 2 | Washer 5 |
| 47 | 900600-00010 | 1 | Washer 10 |
| 48 | 175000-07531 | 1 | Clutch Assembly |

SV-4 (B) ENGINE BLOCK ASSEMBLY LAYOUT

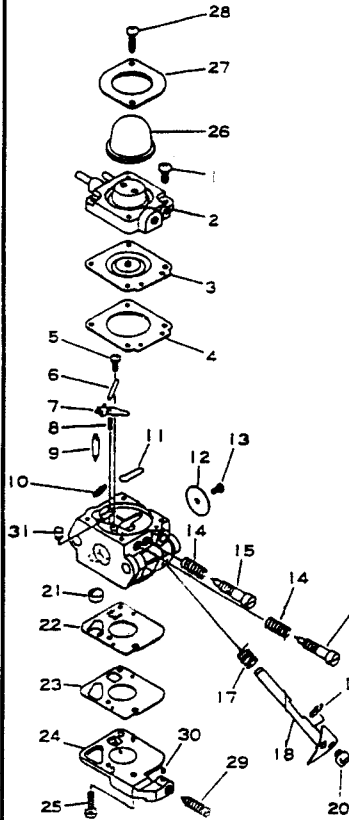
| KEY NO. | PART. NO. | QTY | DESCRIPTION |
|---------|--------------|-----|-----------------------|
| 4 | 100012-51230 | 1 | Bearing, Needle |
| 5 | 100212-42030 | 2 | Oilseal |
| 6 | 900238-05028 | 3 | Screw 5 x 28 |
| 7 | 100200-11520 | 1 | Crankcase Set |
| 8 | 100215-03930 | 2 | Pin, Dowel |
| 9 | 900810-36201 | 2 | Bearing, Ball 6201 |
| 10 | 100100-11521 | 1 | Crankshaft |
| 11 | — | 1 | Crankcase Gasket * |
| 12 | 610325-02730 | 1 | Key, Woodruff |
| 13 | 100014-11520 | 1 | Spacer, Piston Pin |
| 14 | — | 1 | Piston ** |
| 15 | 100015-04630 | 2 | Circlip, Piston Pin |
| 16 | 100013-11520 | 1 | Pin, Piston |
| 17 | 100011-05330 | 2 | Ring, Piston |
| 18 | 101010-44331 | 1 | Gasket, Cylinder Base |
| 19 | 101011-45230 | 1 | Cylinder |
| 20 | 900238-05022 | 2 | Screw 5 x 22 |
| 22 | 101606-11520 | 1 | Cylinder Cover |
| 26 | 900238-04018 | 2 | Screw 4 x 18 |
| 27 | 889000-42031 | 1 | Cyl. Gasket Kit - SV4 |
| 28 | 100000-11520 | 1 | Piston Kit |

* Only available in Item "Key 27"

** Only available in "Key 28"



SV-4(B) ENGINE CARBURETOR ASSEMBLY

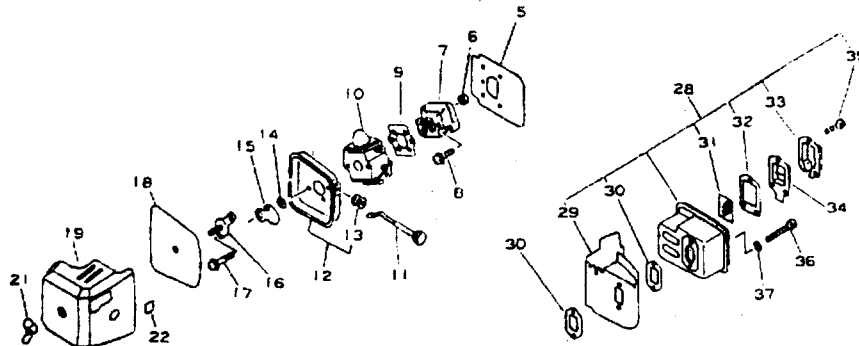


| KEY NO. | PART. NO. | QTY | DESCRIPTION | KEY NO. | PART. NO. | QTY | DESCRIPTION |
|---------|---------------|-----|---|---------|--------------|-----|----------------------|
| Kit | #125200 11823 | 1 | Carburetor Asy. Includes the following: | 21 | B | 1 | Strainer, Fuel |
| 1 | 125310 05360 | 2 | Screw | 22 | A, B | 1 | Diaphragm, Fuel Pump |
| 2 | 125383 05360 | 1 | Base, Primer | 23 | A, B | 1 | Gasket, Fuel Pump |
| 3 | A, B | 1 | Diaphragm | 24 | 125324 42030 | 1 | Cover, Pump |
| 4 | A, B | 1 | Gasket, Diaphragm | 25 | 125310 42030 | 2 | Screw |
| 5 | B | 1 | Screw | 26 | 125381 46730 | 1 | Pump, Primer |
| 6 | B | 1 | Pin, Metering Lever | 27 | 125363 11610 | 1 | Ring |
| 7 | B | 1 | Lever, Metering | 28 | 125344 05360 | 2 | Screw |
| 8 | B | 1 | Spring, Coil | 29 | 125334 13930 | 1 | Screw, Idle Adjust |
| 9 | B | 1 | Valve, Inlet Needle | 30 | 125378 13930 | 1 | Piece, Friction |
| 10 | 125327 15130 | 1 | Clip | 31 | 125376 42030 | 1 | Nozzle, Check Valve |
| 11 | B | 1 | Plug, Welsh | | | | |
| 12 | 125316 42030 | 1 | Valve, Throttle | | | | |
| 13 | 125314 13930 | 1 | Screw | | | | |
| 14 | 125319 42030 | 2 | Spring, Coil | | | | |
| 15 | 125318 11820 | 1 | Needle, Low Speed | | | | |
| 16 | 125320 42030 | 1 | Needle, High Speed | | | | |
| 17 | 125313 42030 | 1 | Spring, Throttle Return | | | | |
| 18 | 125317 11820 | 1 | Shaft, Throttle | | | | |
| 19 | 125327 13930 | 1 | Clip | | | | |
| 20 | 125372 42030 | 1 | Swivel | | | | |

A- Part No. 125303-06560 - Gasket/Diaphragm/Kit consists of the following:
Key Numbers - 3, 4, 22 and 23.

B- Part No. 125300-06560 - Repair Kit consists of the following:
Key Numbers - 3, 4, 5, 6, 7, 8, 9, 11, 21, 22, and 23.

SV-4(B) AIR CLEANER ASSEMBLY • MUFFLER ASSEMBLY



| KEY NO. | PART. NO. | QTY | DESCRIPTION | KEY NO. | PART. NO. | QTY | DESCRIPTION |
|---------|--------------|-----|----------------------|---------|--------------|-----|---------------------|
| 5 | 130010-42032 | 1 | Gasket, Intake | 18 | 130310-04560 | 1 | Filter, Air |
| 6 | 900500-00005 | 2 | Nut 5 | 19 | 130326-11521 | 1 | Cover, Air Cleaner |
| 7 | 130017-42031 | 1 | Insulator | 21 | 900528-00005 | 1 | Nut, Wing 5 |
| 8 | 900238-05020 | 2 | Screw 5 x 20 | 22 | 890121-49730 | 1 | Label, Choke |
| 9 | 130016-42031 | 1 | Gasket, Intake | 28 | 145800-11820 | 1 | Muffler Assembly |
| 10 | 125200-11822 | 1 | Carburetor C1U-K17 | 29 | 145871-05360 | 1 | Cover, Muffler |
| 11 | 178510-48830 | 1 | Rod, Choke | 30 | 145510-42031 | 2 | Gasket, Muffler |
| 12 | 130301-04560 | 1 | Case, Air Cleaner | 31 | 145862-40630 | 1 | Screen, Muffler |
| 13 | 178810-05230 | 1 | Grommet, Choke | 32 | 145866-42031 | 1 | Gasket, Muffler Lid |
| 14 | 178516-00830 | 1 | Washer 5 | 33 | 145863-06960 | 1 | Fixture, Screen |
| 15 | 178515-04560 | 1 | Shutter, Choke | 34 | 145876-42030 | 1 | Lid, Muffler |
| 16 | 130410-05360 | 1 | Bracket, Air Cleaner | 35 | 900242-04010 | 3 | Screw 4 x 10 |
| 17 | 900242-05057 | 2 | Screw 5 x 57 | 36 | 900105-05050 | 2 | Bolt, H.S. 5 x 50 |
| | | | | 37 | 900600-00005 | 2 | Washer 5 |