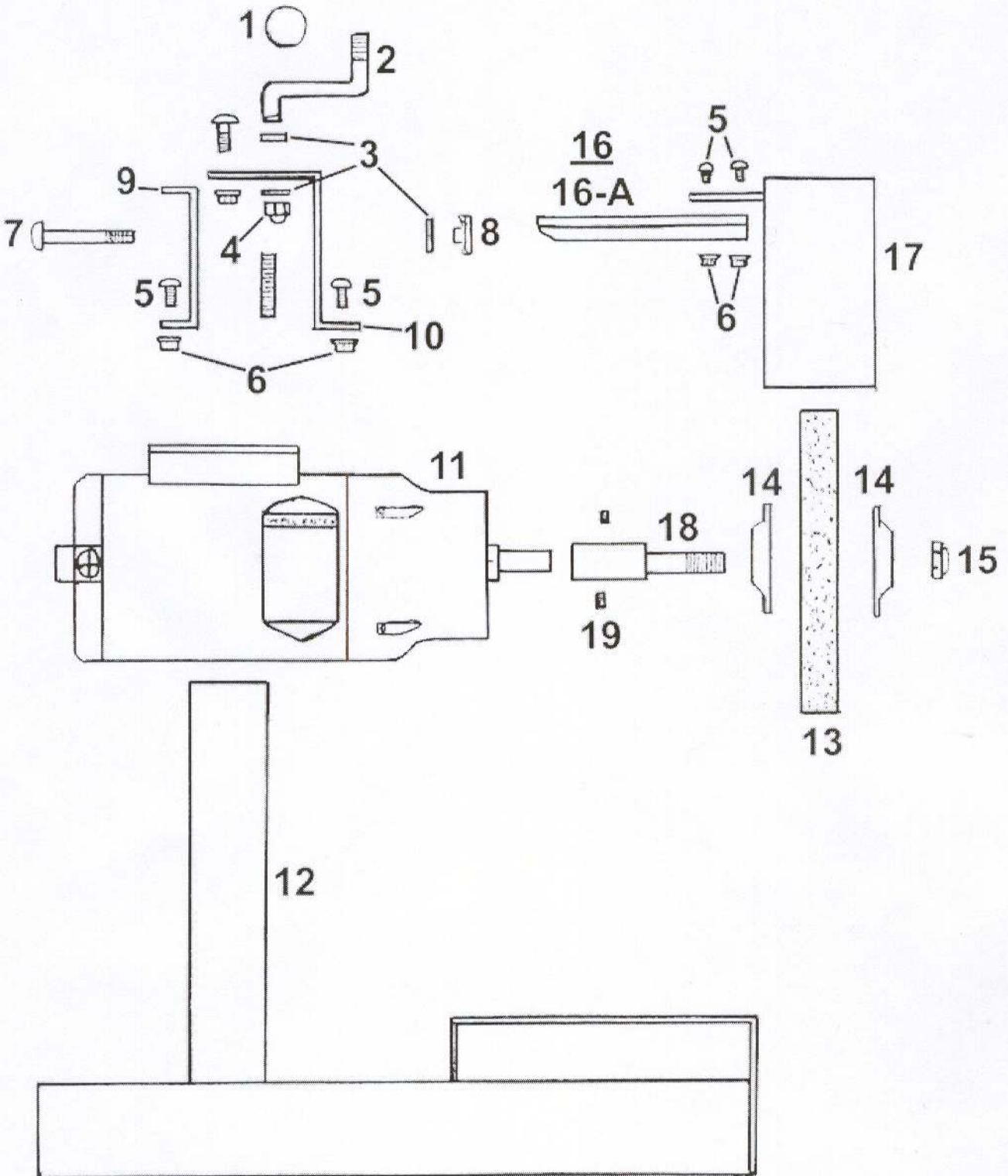


RBG-2181-P



ITEM #	PART #	DESCRIPTION	QUANTITY
1	1601	CONTROL KNOB 3/8-24	1
2	1302-A	HANDLE	1
3	1304	FLAT WASHER 5/16	4
4	1305	NYLON LOCK NUT 3/8-24	1
5	1310	CARRIAGE BOLT 5/16-18x3	10
6	1611	WHIZZ LOCK NUT 5/16-18	10
7	1309	CARRIAGE BOLT 5/16-18x3	2
8	1605	TRI PRONG KNOB 5/16-18	2
9	1620	UPPER MOTOR CARRIER FRAME (BACK)	1
10	1621	UPPER MOTOR CARRIER FRAME (FRONT)	1
11	1635	MOTOR 1/2 H.P. BELL FRONT	1
12	1640	FRAME	1
13	2208	8"x1" CERAMIC WHEEL	1
14	1316-B	FLANGE WASHER	2
15	1314	NYLON LOCK NUT 5/8-18	1
16	1650	GUARD ARM (RIGHT)	1
16-A	1650-A	GUARD ARM (LEFT)	1
17	1312	GUARD	1
18	1221-S	ARBOR	1
		ITEMS NOT SHOWN	
		ON OFF DECAL	
		CAUTION DECAL	
		RBG 2181-P DECAL	
		HANDLE CONTROL DECAL	
		CAUTION LABEL (WING NUT)	