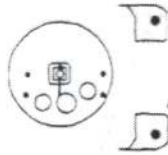


PrizeLAWN WiliW® ROTARY SPREADER

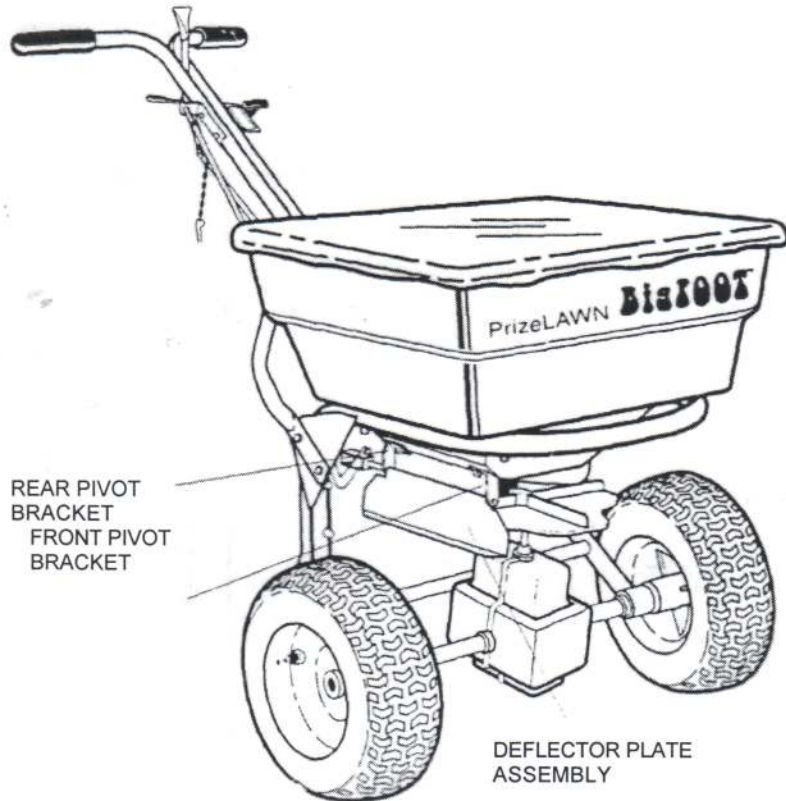
#14889-1 SIDE DEFLECTOR KIT

ASSEMBLY

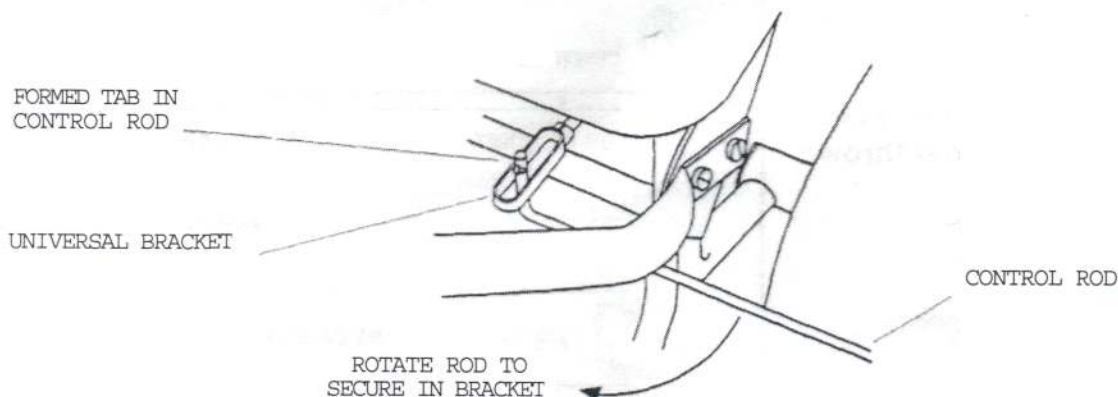
1. Remove the (2) plastic hopper plugs from inside the hopper. Install the deflector plate assembly with the rear pivot bracket onto hopper as shown using a 1/4-20 stainless steel bolt and nut supplied. **DO NOT TIGHTEN.** Install the front pivot bracket over the end of the deflector plate rod and secure the front bracket to the hopper using a 1/4-20 stainless steel bolt and nut supplied. Tighten bolts securely making sure deflector plate will swing freely.

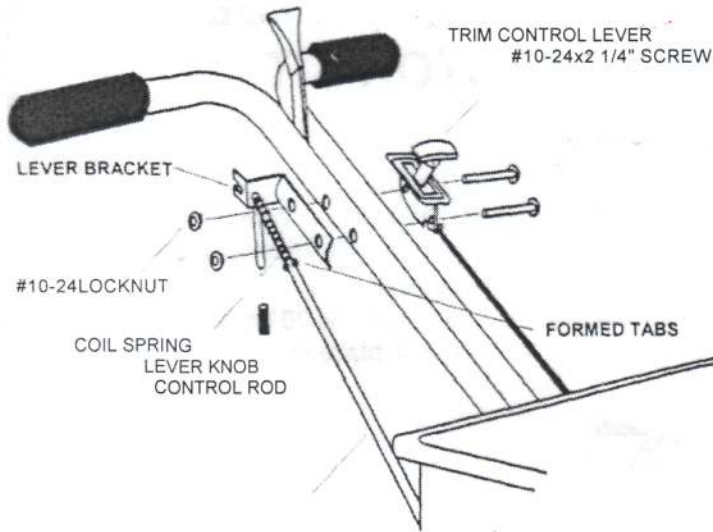


PLASTIC HOPPER PLUGS



2. The deflector plate should be in the "DOWN" position as shown above. Insert the longer end of the control rod with the formed tab near the end of the rod into the universal bracket in deflector plate assembly as shown. Rotate the rod as shown to secure rod into the bracket.

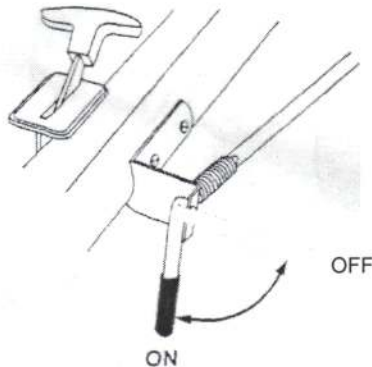




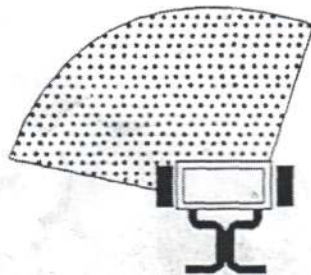
3. Remove the screws and nuts holding the trim control lever to the upper handle. Do not remove trim control lever if it is attached with sheet metal screws. Slide the coil spring onto rod until it touches the formed tabs on control rod, followed by the lever bracket as shown. Align holes in side of upper handle and the lever bracket and secure with two (2) #10-24 x 2 1/4" stainless steel screws and locknuts supplied. If your upper handle used sheet metal screws to hold the trim control lever, secure the lever bracket with two (2) sheet metal screws supplied. Install lever knob over end of the control rod.

HOW TO USE

The deflector plate can be placed in two positions. The "ON" position (down) or the "OFF" position (up). To operate, pull the control rod out from the handle bracket to clear the notch and rotate it to the "ON" position as shown. Rod will automatically lock in each position.

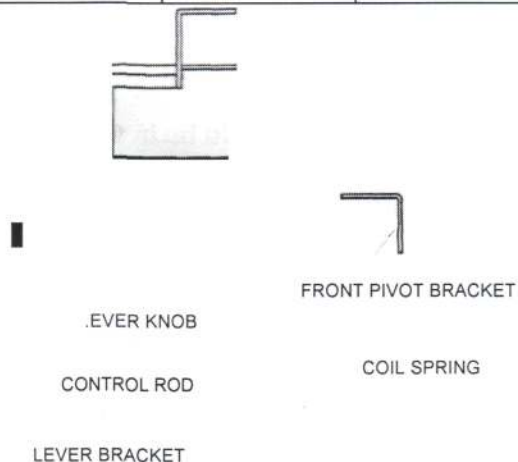


In the "ON" position, the material exiting the right hand side is deflected as shown. This allows the spreader to be butted up against a sidewalk, driveway, lot line etc. minimizing the amount of material thrown



PARTS LIST

ITEM	PART NO.	DESCRIPTION
1	14891-1	Deflector Plate
2	14892	Front Pivot Bracket
3	14893-1	Control Rod
4	14756	Lever Knob
5	14712	Lever Bracket
6	14462	Coil Spring
7	14896-1	Parts Bag (not shown)



JT



PSB Company

555 West Goodale Street P.O. Box 1089

Columbus, Ohio 43216-1089

614-228-5781 EXT. 2655

PART OF OUR SERVICE IS PROVIDING REPLACEMENT PARTS. Part may be obtained through your local distributor. Be sure to give the:

1. SPREADER NAME
2. SPREADER MODEL NUMBER
3. NAME OF PART
4. PART NUMBER
5. QUANTITY REQUIRED

DEFLECTOR PLATE ASSY.