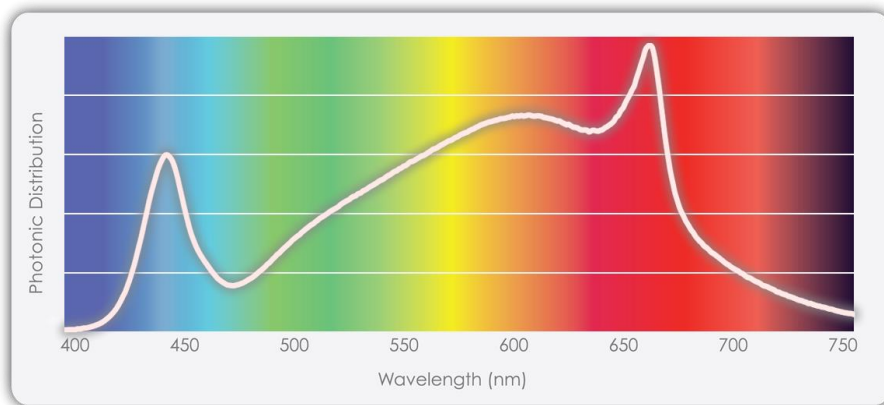


TotalGrow™ Mult-HI



Achieve your target yields, consistency and quality.
Save time, money, electricity and space.

- 170, 240, 320 & 640W of power at 2.4+ $\mu\text{mol}/\text{J}$ for the light intensities your plants need
- Robust, reliable, ideally-shaped design for simple utilization and excellent uniformity
- Full growing spectrum for exceptional versatility and quality



Spectrum Customization Available

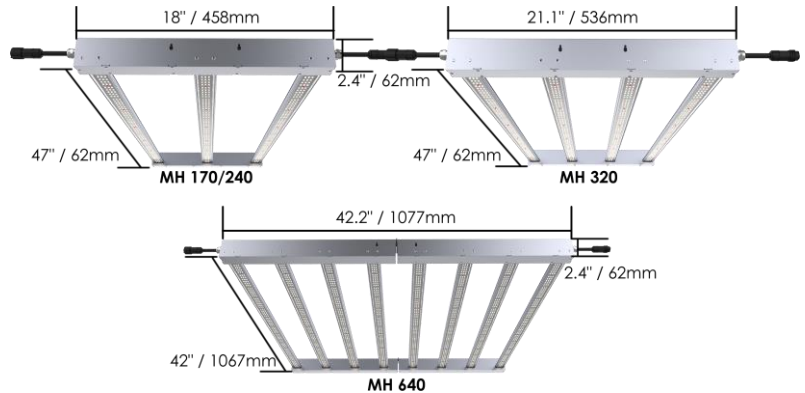


contact: info@venntis.com

The TotalGrow Mult-HI features multiple high intensity light bars in a thin form factor with built-in power supplies to evenly distribute the ideal intensities of light over your grow area to match your growing goals. An exceptional, customizable, full light spectrum supports efficient, quality growth for any life stage and crop variety. This plug-and-play solution with direct daisy-chaining is simple to implement with low upfront and ongoing costs for the sustainable production of high quality crops.

Multi-HI Product Specifications:	Multi-HI 170	Multi-HI 240	Multi-HI 320	Multi-HI 640
Power Consumption (W)	170	240	320	640
Standard/ High Output (µmol/s)	405 / 435	570 / 615	760 / 820	1520 / 1640
Typical PPFD (µmol/m ² /s)	500 (2'x4')	500-750 (2-3x4')	500-1000 (2-4x4')	1000 (4'x4')
Length x Width x Height (inches)	47 x 18 x 2	47 x 18 x 2	47 x 21.1 x 2	42 x 43x 2
Weight (lbs.)	9.5	9.5	12	23
Daisy-Chain Linking (120V / 240V)	6 or 13 units	5 or 9 units	4 or 7 units	2 or 5 units

Multi-HI Specifications (All Models)	
Mounting Height Over Canopy	6-12 inches
Standard Output Efficiency	2.4 µmol/J
High Output Efficiency	2.6 µmol/J
Input Voltage	100-277V
Dimmable	0-10V
Projected Service Life	50,000 hours
Warranty	5 Years
Waterproof	IP65



Usage Guidelines

Every application is unique, and our lighting experts will gladly provide you with a detailed, custom light plan (contact info@venntis.com). The most common setups with the Multi-HI lights are:

Usage Guidelines: TotalGrow Multi-HI Lights (with no sunlight)			
Goal:	Good Vegetative Growth	Excellent Veg* / Good Flowering	Excellent Flowering Growth*
2'x4' per Light	MH 170	MH 240	MH 320
4'x4' per Light	MH 170 (X2) / MH 320	MH 240 (X2)	MH 640
4'x5' per Light	MH 240 (X2)	MH 640	2X <u>HI-Top 530W</u>
5'x5' per Light	<u>HI-Top 530W</u>	MH 640	2X <u>HI-Top 530W</u>
Average PPFD** (µmol/m ² /s)	500	700	1000
* Excellent Growth best achieved with elevated CO ₂ + high light levels.			
** Higher average PPFDs achieved with highly reflective walls and/or adjacent grow areas with overlapping light emission; lower PPFDs occur with greater light spillage.			

- Shorten growth cycles • Improve yields and quality • Consistent, reliable production
- Reduce up to 60% of energy compared to HPS • Long, low maintenance life
- Excellent light uniformly • Easy installation • Versatile, aesthetic, customizable spectrum