

SINCE 1839

BRINLY

SINCE 1839

BRINLY

OWNER'S MANUAL

AERATOR SPREADER

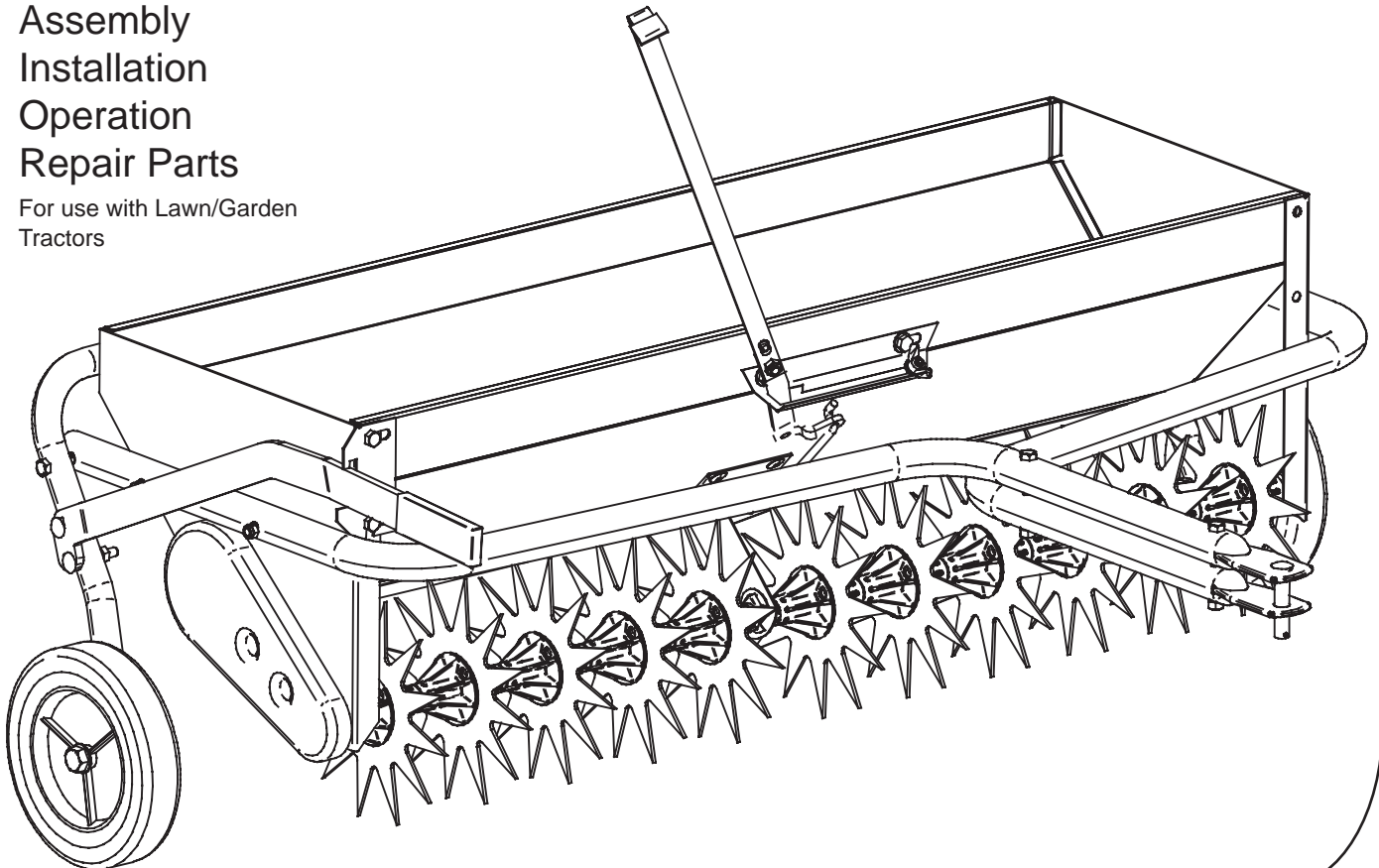
MODEL:

AS-30 BH

AS-40 BH

- Assembly
- Installation
- Operation
- Repair Parts

For use with Lawn/Garden
Tractors



For the latest product updates and setup tips:

Visit us on the web!
www.brinly.com

Important: This manual contains information for the safety of persons and property. Read it carefully before assembly and operation of the equipment!

L-1711BH Rev. D

CONGRATULATIONS on your new Brinly-Hardy Lawn Aerator. It has been designed, engineered, and manufactured to give you the best possible dependability and performance.

Should you experience any problem you can not easily remedy, please do not hesitate to contact our knowledgeable customer service department toll-free at 1-877-728-8224. We have competent, well trained technicians to help you service your Aerator.

CUSTOMER RESPONSIBILITIES

Please read and retain this manual. Familiarize yourself with the entire manual before beginning and verify that all hardware is present. And please, Observe the "Safety Rules". Follow a regular schedule in maintaining, caring-for and using your Aerator Spreader.

The instructions will enable you to assemble and maintain your Aerator Spreader properly. Always observe the "SAFETY RULES".

TABLE OF CONTENTS

SAFETY RULES2
 REFERENCE.....3
 PARTS REFERENCE4
 PARTS LIST5
 ASSEMBLY6-9
 OPERATION.....9-10
 MAINTENANCE.....10
 WARRANTY.....11



RULES FOR SAFE OPERATION

- Know controls and how to stop quickly, READ THE OWNER'S MANUAL.
- Do not allow children to operate the vehicle, do not allow adults to operate without proper instruction or without having read the owner's manual.
- Do not carry passengers. Keep children and pets a safe distance away.
- Always wear substantial footwear. Do not wear loose fitting clothing that can get caught in moving parts.
- Keep your eyes and mind on your tractor/attachment and area being covered. Do not let other interests distract you.
- Stay alert for holes in the terrain and other hidden hazards.
- Do not drive close to creeks, ditches and public highways.
- Watch out for traffic when crossing or near roadways.
- When using any attachment, don't allow anyone near the vehicle while in operation.
- Keep the vehicle and attachment in good operating condition and keep safety devices in place.

- Keep all nuts, bolts and screws tight to be sure the equipment is in safe working condition.
- The vehicle and attachment should be stopped and inspected for damage after striking a foreign object. The damage should be repaired before restarting and operating the equipment.
- See tractor equipment owner's manual for safe operation of the equipment.



CAUTION:

To avoid damage to Tines, always engage transport wheels to raise the Tines when crossing concrete or asphalt walks, drives, or roads.

Use the Aerator-Spreader only on an established lawn, never on newly laid sod.

To avoid personal injury and/or equipment damage never exceed the recommended operating speed range of 3 to 5 MPH.

Tines have sharp points. Wear gloves and handle with care.

Only tow your Aerator-Spreader behind vehicles for which it was designed, riders and lawn/garden tractors.

Do not stand/ride on Aerator-Spreader, bodily injury could result.

Never exceed the Hopper weight capacity of 70 pounds for AS-302 and 100 pounds for AS-402.

Do not attempt to disconnect Aerator from tractor with weight in Hopper.

When backing-carefully back straight to avoid jack-knifing which could result in damage to equipment.

INSTALLATION QUESTIONS?
MISSING PARTS?
REPLACEMENT PARTS?

DON'T GO BACK TO THE STORE!

Please call our Customer Service Department Toll-Free at **877.728.8224**
 or www.customerservice@brinly.com

This symbol will help to point out important safety precautions throughout this manual. It means - ATTENTION! BECOME ALERT! Your safety is involved.

REFERENCE

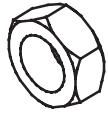
Tools Required for Assembly:

- * $\frac{1}{2}$ " wrench (2)
- * Pair work gloves
- * Hammer

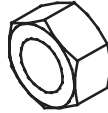
- * $\frac{3}{4}$ " wrench (2)
- OR
- * 10" Adjustable wrench (2)

A note about nuts used in the assembly of your Aerator Spreader:

1. Jam Nuts and Hex Nuts spin freely on the bolt threads. Usually a lock washer is used to lock the nut securely in place.



Jam Nut

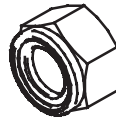


Hex Nut

2. Lock Nuts and Nylon Lock Nuts provide resistance after several turns on the bolt threads. A wrench is normally required during installation.

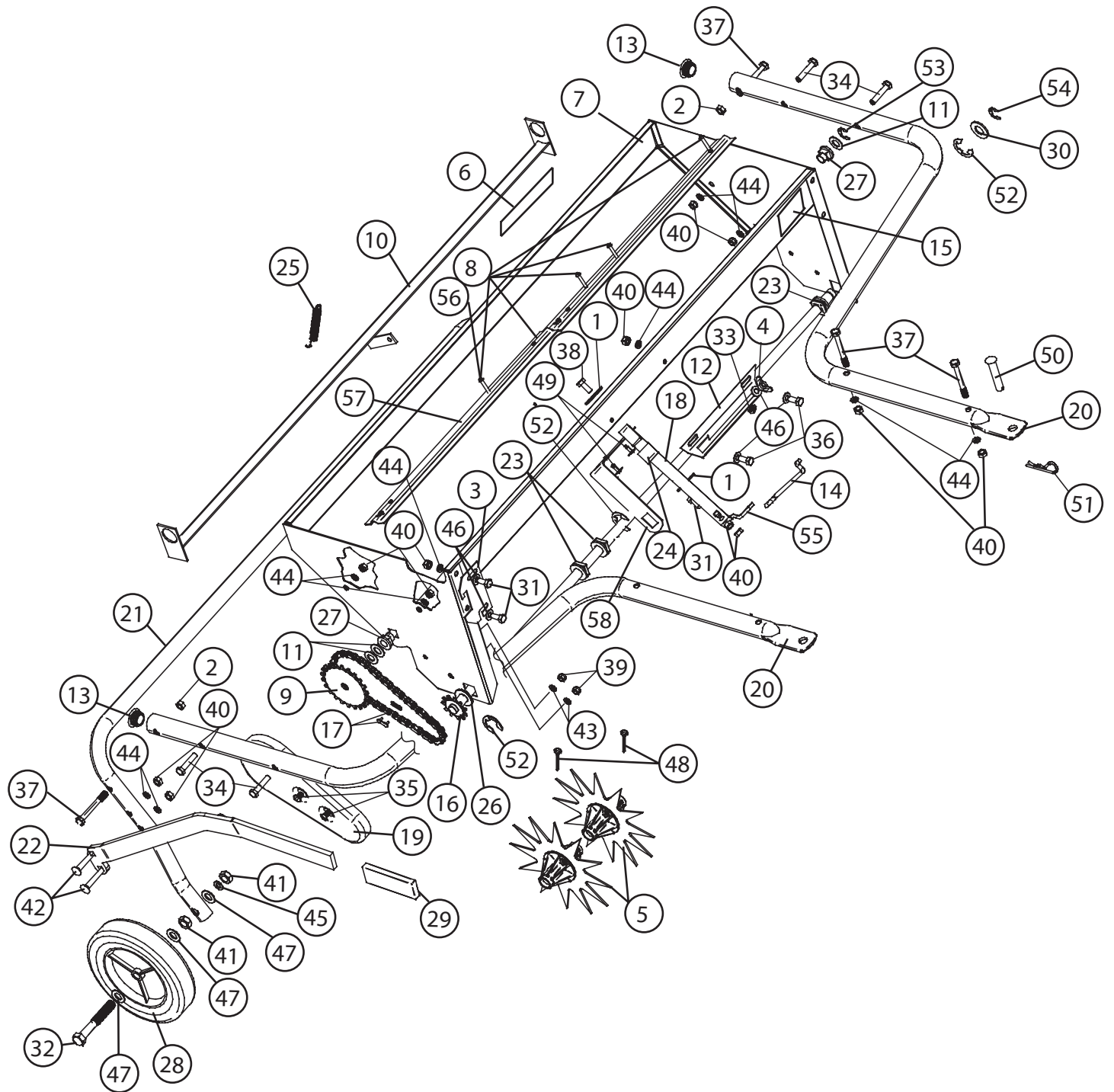


Lock Nut



Nylon Lock Nut

Notes:



Parts List

REF. NO.	AS-302 PART NO.	AS-402	DESCRIPTION	QTY.
1	R-774	R-774	Flat Washer - Large	2
*2	B-1674P	B-1674P	5/16" Hex Lock Nut	3
*3	B-6520	B-6520	Transport Lock	1
4	B-4030	B-4030	1/4" Wing Nut	1
5	B-6407	B-6407	Aerator Tine Assembly	8 or 11
6	B-5922	B-5922	Brinly Logo Decal	1
7	B-4701-10	B-5718-10	Hopper Assembly	1
8	K-653	K-654	Agitator Kit (Hwd.Incl.)	2
9	B-5474-10	B-5720-10	Agitator Shaft Assembly	1
10	B-4709-10	B-5726-10	Shutter Assembly	1
11	B-4713	B-4713	1/2" Washer	3
12	B-4715Y	B-4715Y	Calibration Plate	1
*13	B-6484	B-6484	Cap Tube	2
14	B-4719-01	B-4719-01	Shutter Link	1
15	R-1946	R-1946	Decal Instruction/ "CE" Label	1
16	B-5472	B-5722	Tine Shaft Assembly	1
17	B-4724-CPT	B-4724-CPT	Drive Chain and Offset Link	1
18	B-6515-10	B-6515-10	Upper Lever	1
19	B-4726	B-4726	Chain Shield	1
20	B-6409-10	B-6410-10	Tow Bar	2
21	B-6411-10	B-6412-10	Wheel Support Assembly	1
22	B-6413-10	B-6413-10	Lift Handle	1
23	B-4732	B-4732	5/8" Square Bearing (large)	2 or 3
*24	B-4733	B-4733	Vinyl Grip (1/8" x 3/4")	1
25	B-4747	B-4747	Tension Spring	1
26	B-4768	B-4768	5/8" (Thin) Washer	3
27	F-383	F-383	1/2" Square Bearing (small)	2
28	B-6526	B-6526	Wheel	2
*29	R-2435	R-2435	Handle Grip (5/16" x 1-1/4")	1
30	B-5456	B-5456	5/8" (Thick) Washer	4
*31	2M1012P	2M1012P	Hex Bolt, 5/16" x 3/4"	3
*32	B-6517	B-6517	Hex Bolt, 1/2" x 3-1/2"	2
33	10M0808P	10M0808P	Carriage Bolt, 1/4" x 1/2"	1
*34	2M1032P	2M1032P	Hex Bolt, 5/16" x 2"	4
35	2M0808P	2M0808P	Hex Bolt, 1/4" x 1/2"	2
36	2M1008P	2M1008P	Hex Bolt, 5/16" x 1/2"	2
*37	B-6516	B-6516	Hex Bolt, 5/16" x 3"	4
38	2M1016P	2M1016P	Hex Bolt, 5/16" x 1"	1
39	30M0800P	30M0800P	Hex Nut, 1/4"	2
*40	30M1000P	30M1000P	Hex Nut, 5/16"	14
*41	31M1600P	31M1600P	Hex Jam Nut, 1/2"	4
*42	11M1028P	11M1024P	Carriage Bolt, 5/16" x 1-3/4"	2
43	40M0800P	40M0800P	Lock Washer, 1/4"	2
*44	40M1000P	40M1000P	Lock Washer, 5/16"	14
*45	40M1600P	40M1600P	Lock Washer, 1/2"	2
*46	45M1111P	45M1111P	Flat Washer, 5/16"	5
*47	45M1717P	45M1717P	Flat Washer, 1/2"	6
48	50M0524P	50M0524P	Cotter Pin, 5/32 x 1-1/2"	2
49		V-302P	Pop Rivet, 3/16" x .277	4
*50	B-3861	B-3861	Drawbar Pin	1
*51	D-146P	D-146P	Hairpin Cotter	1
52	B-4307	B-4307	"E" Ring, 1"	2 or 3
53	F-621	F-621	"E" Ring, 1/2"	1
54	F-577	F-577	"E" Ring, 5/8"	1
55	B-6414-10	B-6414-10	Lower Lever	1
56	B-5804	B-5804	Pop Rivet, 3/16" x .815	4
57	B-4705-10	B-5461-10	Agitator	2
58		B-5680-10	Center Strap	1

* Parts in Hardware Bag

Figure 1.

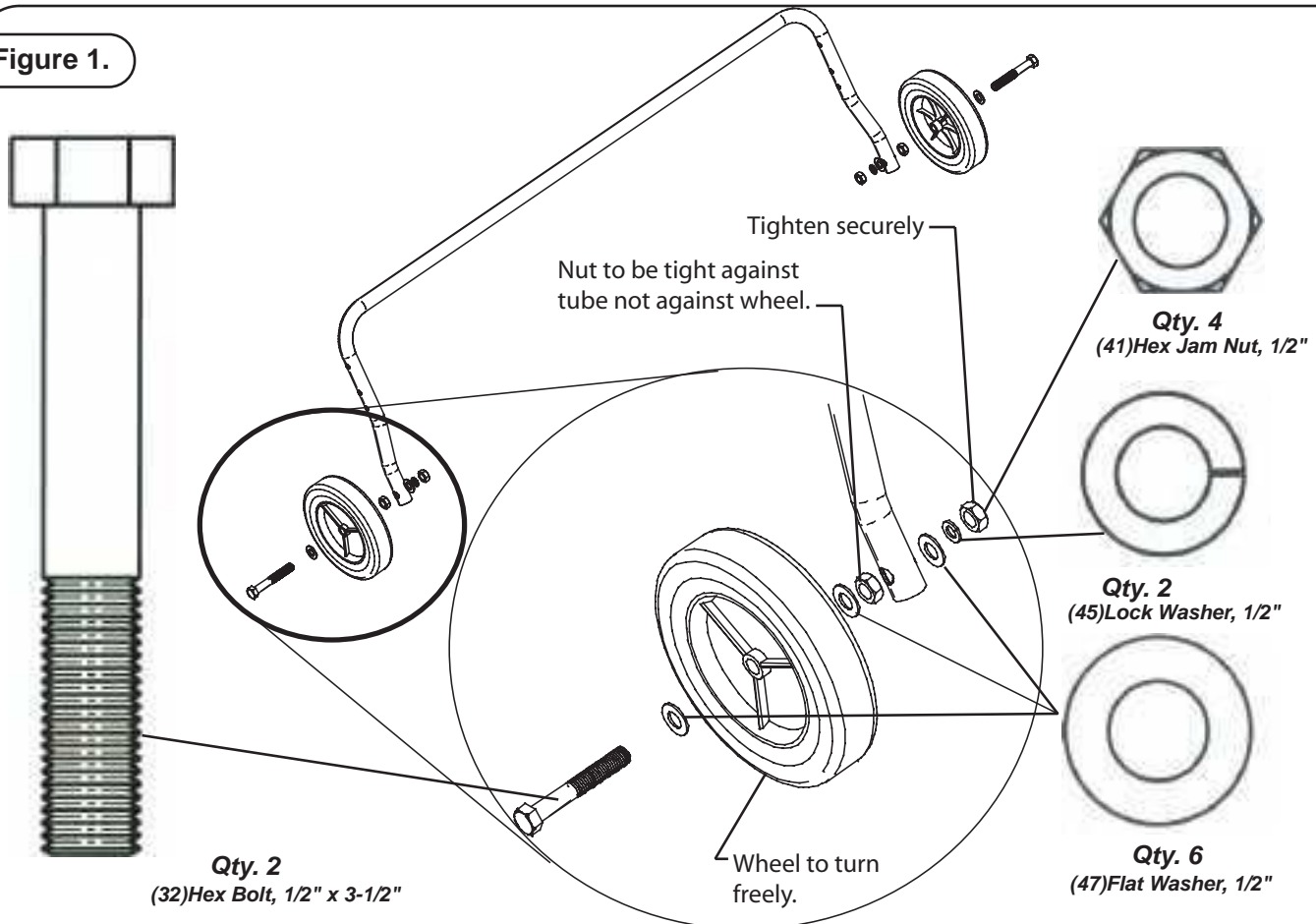


Figure 2.

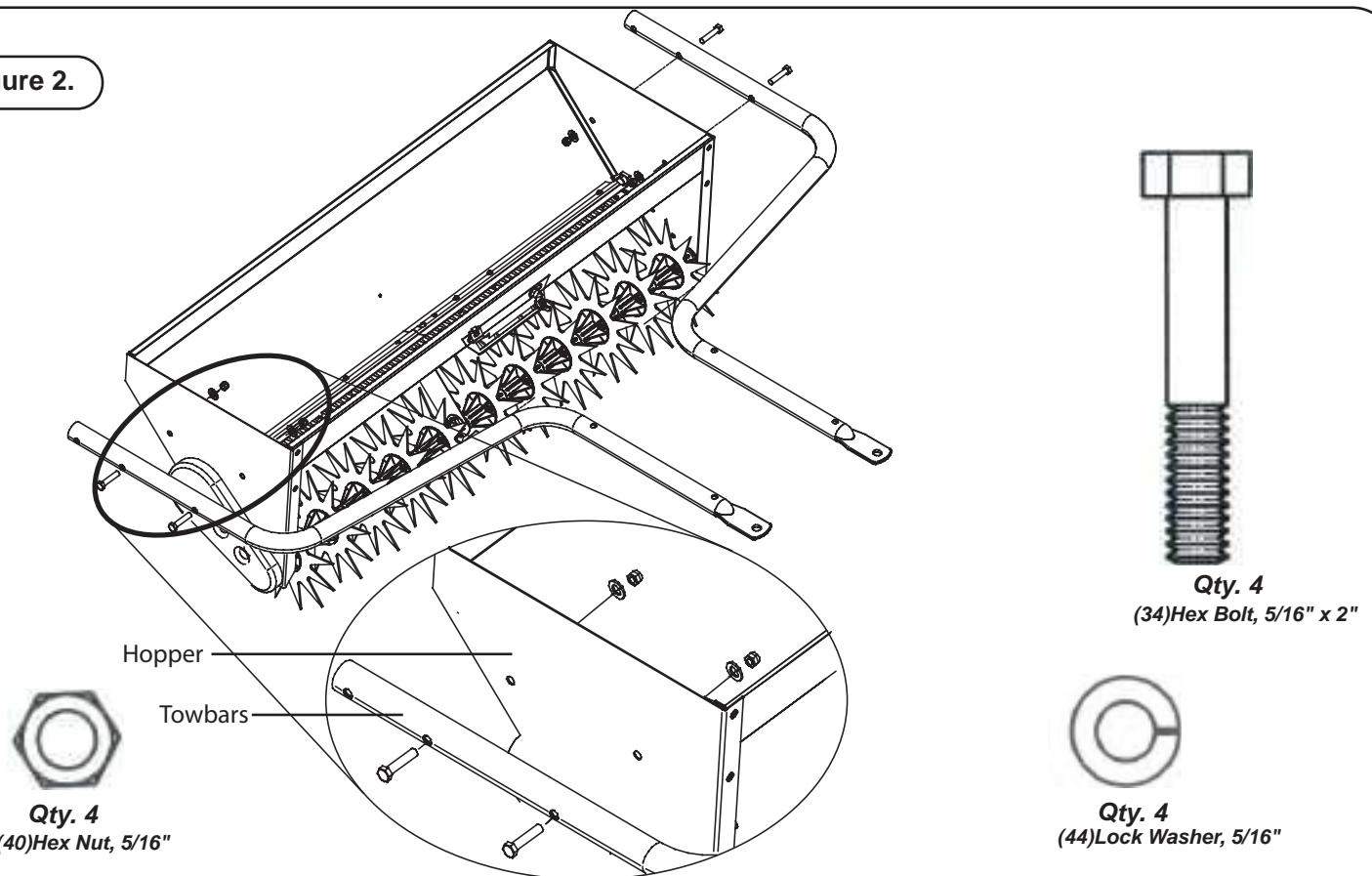


Figure 3.



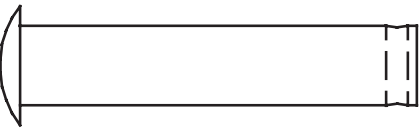
Qty. 2
(37)Hex Bolt, 5/16" x 3"



Qty. 2
(40)Hex Nut, 5/16"

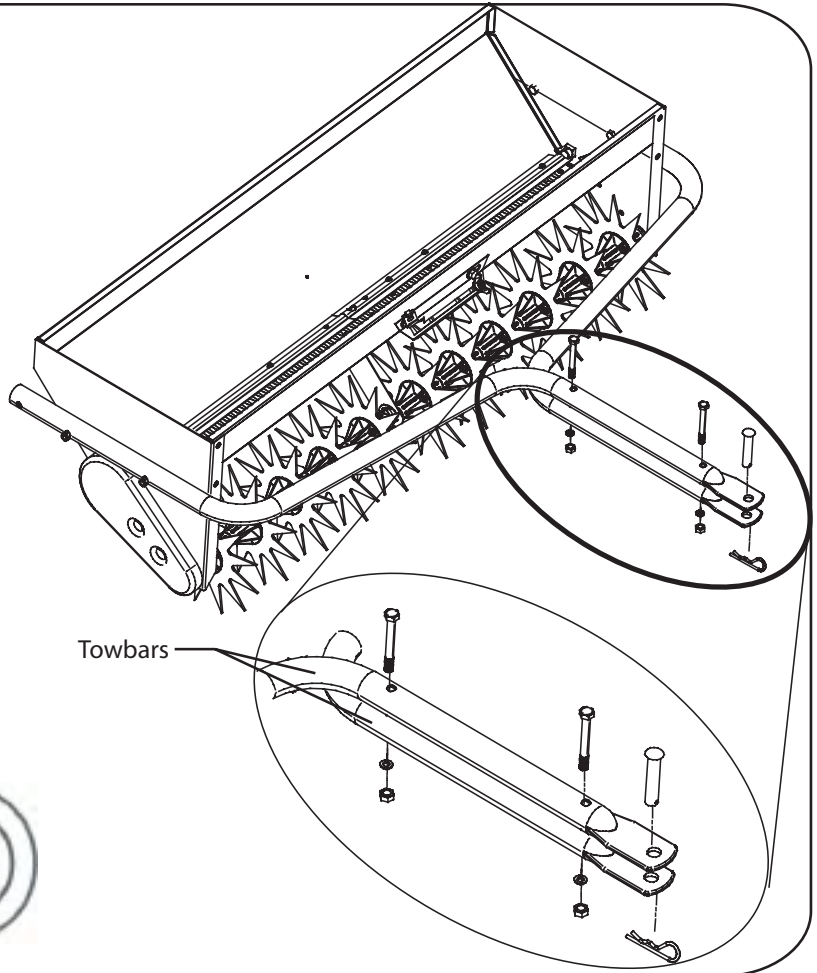


Qty. 2
(44)Lock Washer, 5/16"



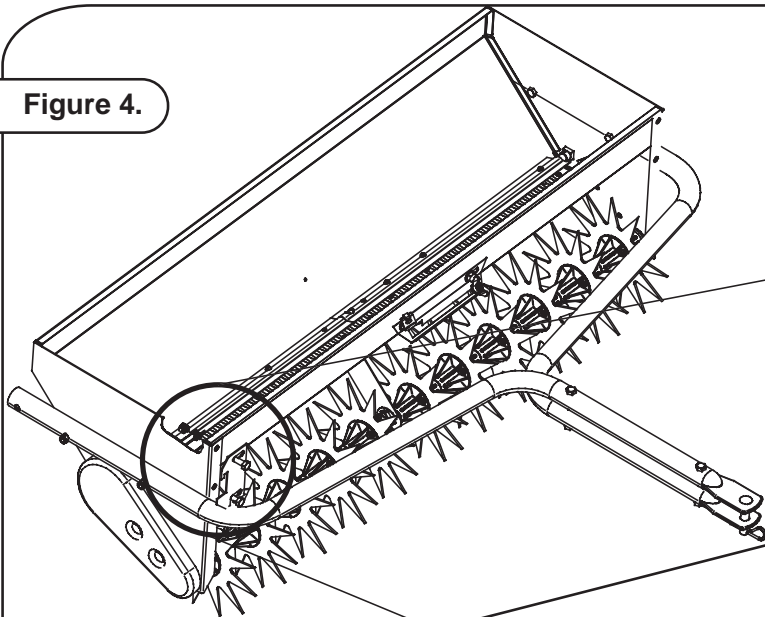
Qty. 1
(50)Drawbar Pin
1/2" x 2-1/2"

Qty. 1
(51)Hairpin Cotter
(NOT TO SCALE)



Towbars

Figure 4.



Qty. 2
(46)Flat Washer, 5/16"

Qty. 2
(31)Hex Bolt, 5/16" x 3/4"

Qty. 2
(40)Hex Nut, 5/16"

Qty. 2
(44)Lock Washer, 5/16"

Hopper

Transport Plate

Figure 5.

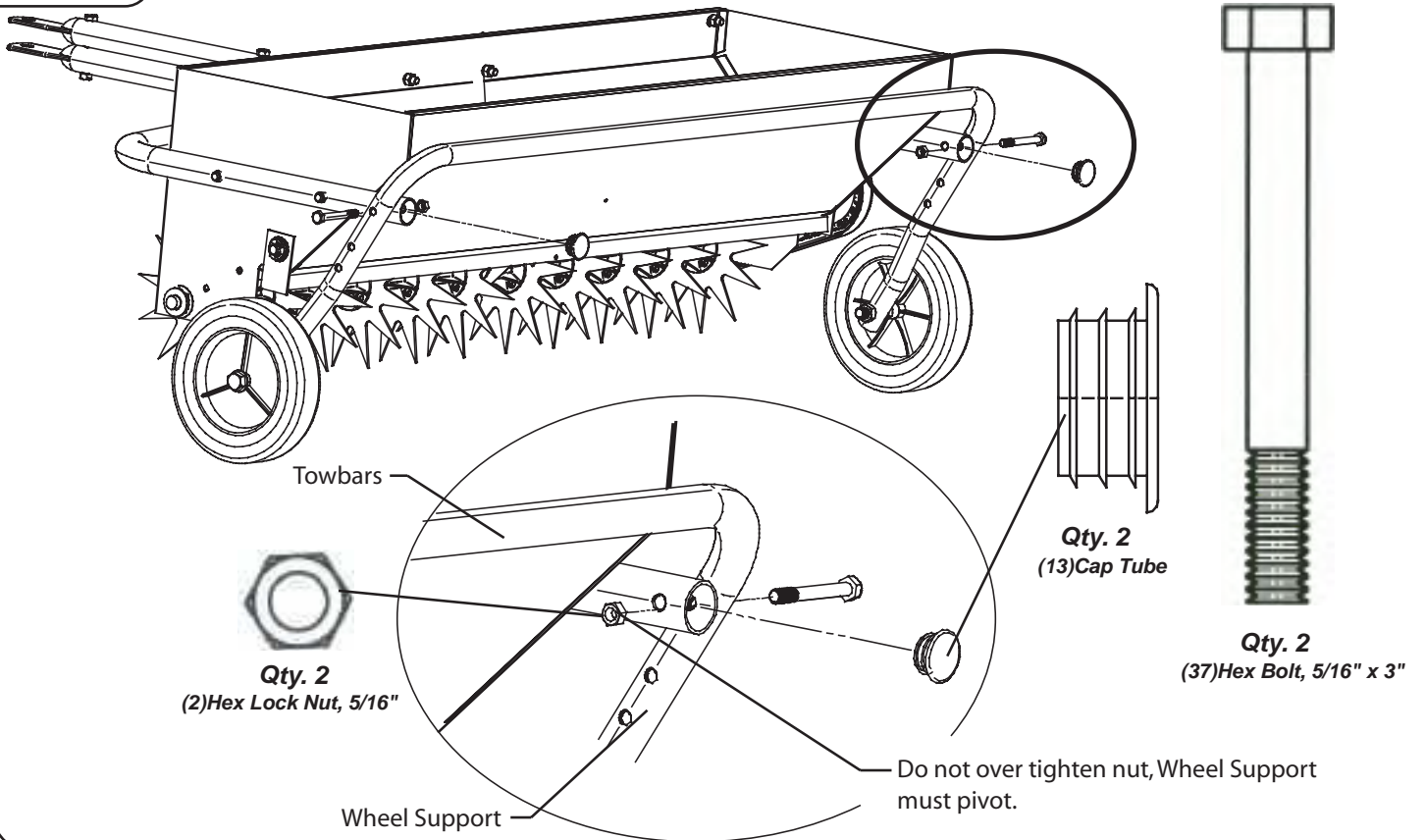


Figure 6.

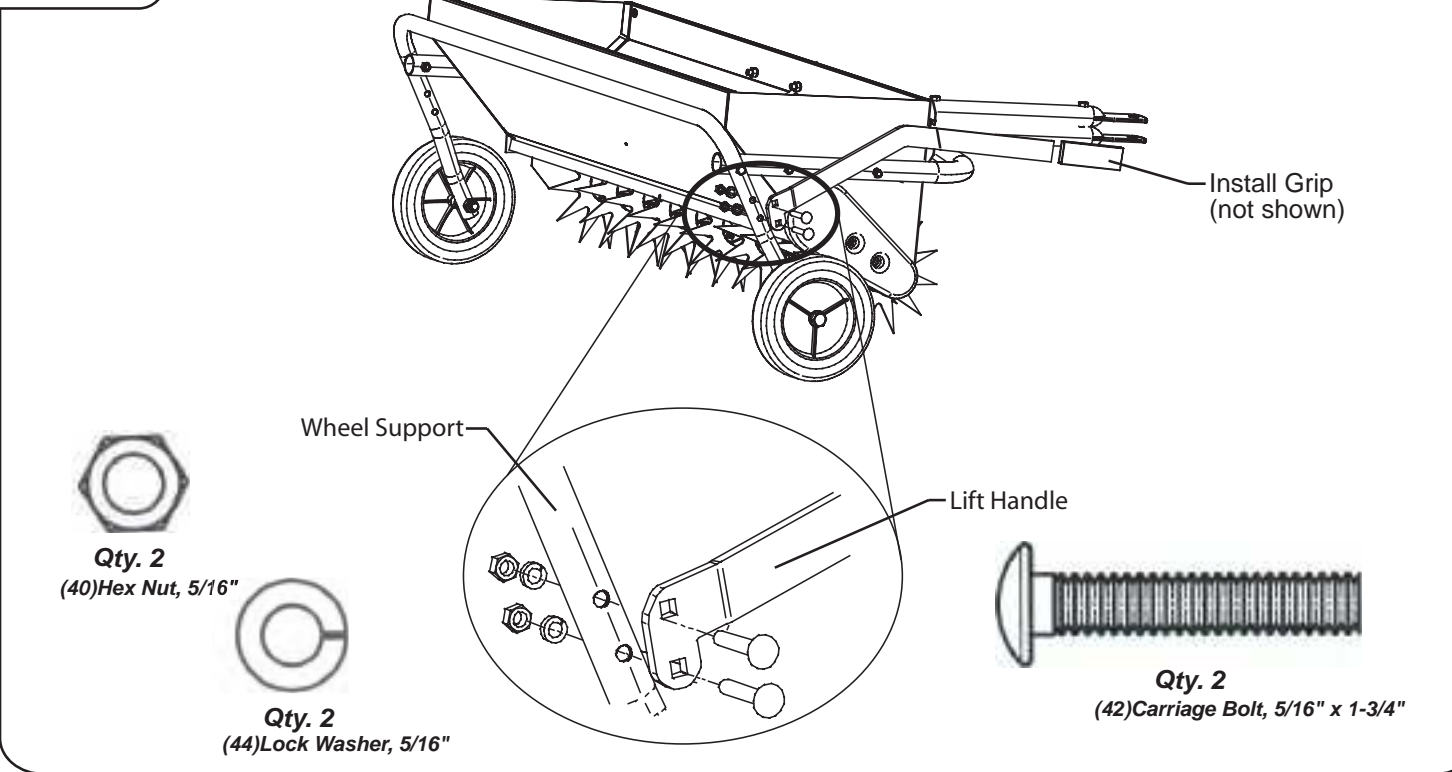
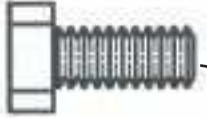


Figure 7.

Make sure Lever points forward.
Install Grip (not shown)

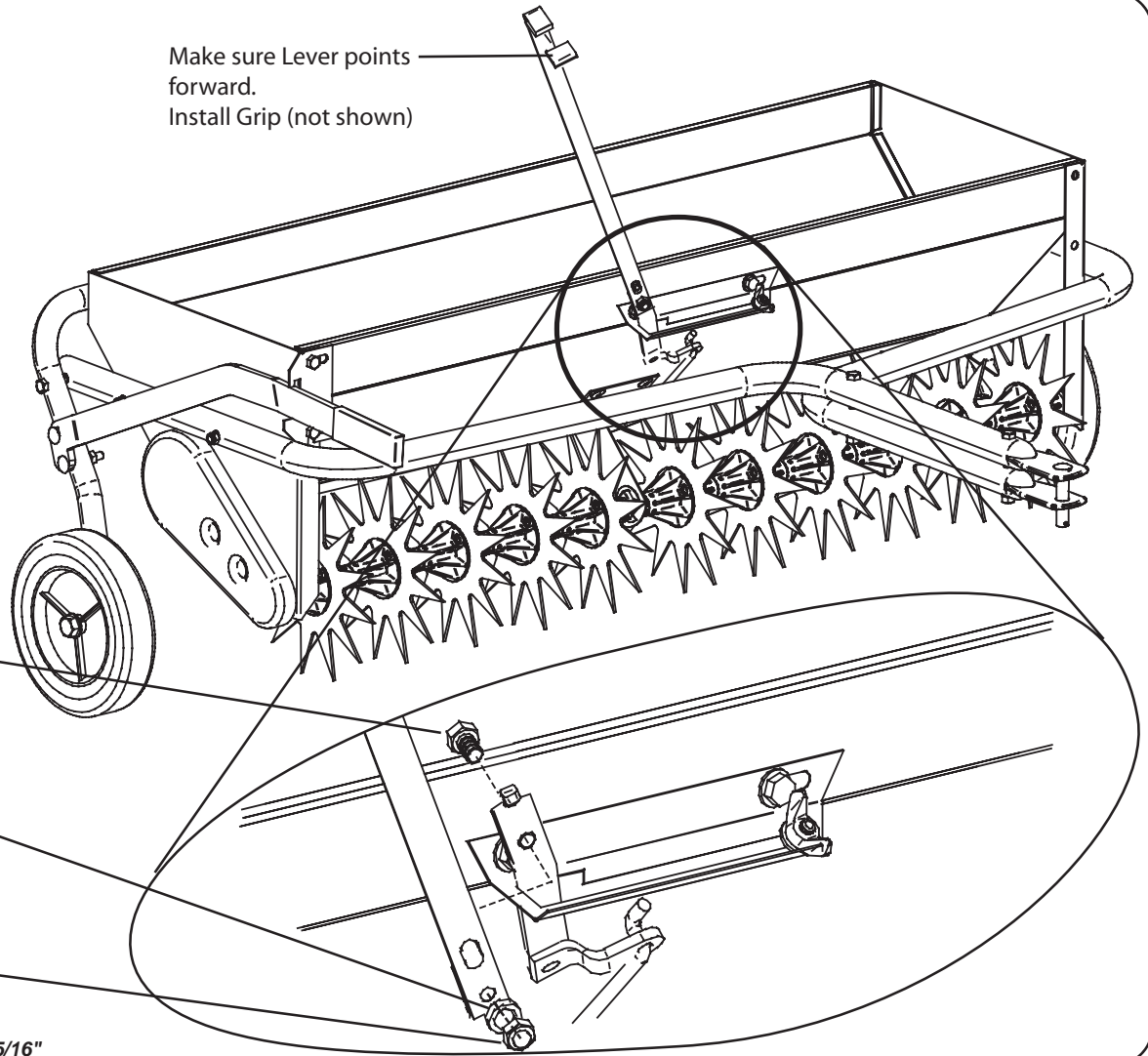
Qty. 1
(31)Hex Bolt, 5/16" x 3/4"



Qty. 1
(44)Lock Washer, 5/16"



Qty. 1
(40)Hex Nut, 5/16"



OPERATION

WHEN TO USE:

Your Aerator-Spreader should not be used when lawn conditions are too wet or too dry. This can be determined by digging a small amount of soil (about three inches deep) and checking it. If soil appears powdery and brittle- its too dry. Wait until a later date, after a rainfall. If soil appears damp, roll it up in the palm of your hand- if it forms a ball that doesn't break up when it hits the ground, it is too wet. Wait until a later date for soil to dry some. Ideally, the soil should fall apart.

NOTE: If soil is too wet, the aerator tines will penetrate too deep and your tractor could loose traction, causing lawn damage. If soil is too dry, the aerator tines will not penetrate soil properly.

OPERATING TIPS:

Attach the Aerator-Spreader to your tractor using the 1/2" Drawbar Pin and Hairpin Cotter furnished (See Fig. 3). Pull Transport Handle towards tractor and lock into raised position (transport wheels are engaged) (See Fig. 7).

Set the Flow Control to proper setting using the Nylon Wing Nut (see Alternative Flow Control Setting Chart on p.10) and move the Control Lever to closed ("0") position.

Fill Hopper with material to be spread at operating site.

Break up all lumps as material as you fill the Hopper.

The recommended operating speed is slightly faster than a brisk walk- 3 to 5 MPH. Set the throttle/gear selector to obtain this speed. To obtain this speed Calibrate your tractor to 3 M.P.H. by:

Measure a distance of 20 feet on flat, level surface.

Adjust tractor throttle and select a gear to cover this distance in 4.5 seconds.

To adjust for 4 m.p.h., cover same distance in 3.4 seconds.

Drive tractor/mower forward as you open the flow control with the Control Lever.



CAUTION! Avoid stopping unit with flow control in "OPEN" position- material will continue to flow through hopper opening. If fertilizer is deposited too heavily in a small area, soak down thoroughly with a garden hose to prevent burning of lawn.

Aerating tines must be in the lowered position in order for Aerator-Spreader to operate. Agitator is driven off of the aerator tines.

IMPORTANT:

When backing up, carefully back STRAIGHT to avoid "jack-knifing", which can cause damage to your equipment.

OPERATION Continued...

FLOW CONTROL ADJUSTMENT

Open and Close: The material flow is shut off by moving Control Lever to the left and locking into "V" notch on calibration plate.

Flow Setting: To set the flow rate, put the Control Lever in the shut-off position (in "V" notch). Determine your required number setting as described below. Loosen the nylon wing nut and slide to the desired number setting and retighten the wing nut. Release the control strap and it will open to the pre-set position.

DETERMINING FLOW CONTROL SETTING NUMBER

NOTE: Fertilizer application rates as described are affected by humidity and the moisture content of the material; therefore, minor setting adjustments may be necessary to compensate for these conditions.

APPLICATION RATE CHART

MATERIAL TYPE	AVERAGE RECOMMENDED USAGE	FLOW CONTROL SETTING
---------------	---------------------------	----------------------

SEEDS:

Ky. Bluegrass	1 lb/1000 sq. ft.	4
Rye	2 lb/1000 sq. ft.	7
Tall Lawn & #31 Fescue	3 lb/1000 sq. ft.	12

FERTILIZER:

Lawn	3.2 lb/1000 sq. ft.	5-1/4
Food(33-3-10)		
Weed & Feed(33-3-5)	3.2 lb/1000 sq. ft.	5-1/4

ALTERNATIVE FLOW CONTROL SETTING

To determine the required setting for materials not listed on chart, proceed as follows:

Determine from material bag, the amount of material to be spread over a designated area. Example: "The contents of this bag (25 lbs.) will cover 5000 square feet."

Determine the amount of material required to cover 100 square feet as follows:

- Add two zeros to bag weight. Example: 2500
- Divide this number by the number of square feet on the bag. Example: 2500 divided by 5000 = .5 pounds of material for 100 square feet. NOTE: To convert this weight to ounces, simply multiply by 16 (16 oz./lb) Example: .5 lb. x 16 = 8 oz.

Determine approximate Flow Control Setting by using chart below showing type of material to spread.

Measure off a distance of 40 feet in your yard. This is the distance your 30" spreader must travel in order to cover 100 square feet. (2.5 ft. (30") x 40 ft. = 100 sq ft.) For 40" spreader measure off a distance of 30 feet in your yard, the distance to cover 100 square feet. (3.33 ft. (40") x 30 ft. = 100 sq ft.)

Set the spreader flow control at the approximate flow control setting.

Place 5 pounds of material in the Hopper. Weigh the material before and after spreading 100 square feet to determine amount of material used.

Move unit to measure area, lower aerator tines, open Flow Control Lever. Drive the 40 ft. course, stop unit and close Flow Control Lever.

Remove and weigh remaining material. Subtract this weight from 5 pounds to determine material used: If too much material is used: Set Flow Control ONE number LOWER and try again. If too little material is used: Set Flow Control ONE number HIGHER and try again.

After determining proper setting always record the type of material and the setting for future use.

ALTERNATIVE FLOW CONTROL SETTING CHART

MATERIAL COARSENESS	APPROX. COVERAGE		APPROX. FLOW CONTROL
	Wt.	Sq. Ft. Cov.	Setting
FERTILIZER: Very Coarse (large, heavy pellets, & grain)	.5lb.	100	9
	1.0lb.	100	12
	1.5lb.	100	15
Medium Coarse (Pellets & granules)	.5lb.	100	7
	1.0 lb.	100	10
	1.5 lb.	100	13
Light Material (Nitrogen, etc.)	.1 lb.	100	3 1/2
	.2 lb.	100	4 1/2
	.3 lb.	100	5 1/2
SEEDS: Large (Ky. 31 Fescue, etc.)	.3 lb.	100	12
	.5 lb.	100	16
	.7 lb.	100	19
Medium (Rye, etc.)	.2 lb.	100	7
	.4 lb.	100	11
	.6 lb.	100	14
Fine (Blugrass, Lawn Fescue, etc.)	.1 lb.	100	4
	.2 lb.	100	4 1/2
	.3 lb.	100	5

MAINTENANCE:

Should rust appear on any other part of your Aerator-Spreader, sand lightly to remove rust and coat lightly with enamel.

Apply a drop of lubricating oil to each nylon bearing (aerator tine shaft, agitator shaft, and wheels) before each use.

Be sure to remove all unused fertilizers from hopper immediately after use and clean with water.

To prevent rust in aerator tines, apply a light coat of oil on the working areas of tines after each use.

After each use, service unit as described and store in a dry area, shielding tines to avoid injury.

Limited Warranty

Brinly-Hardy Company warrants only to the original retail purchaser that this product will remain free of defects in workmanship and materials under normal use and service for a period of two (2) years (NOTE: ninety (90) days for commercial or rental use) commencing with the date of purchase.

Any parts found to be defective within the warranty period will be replaced, with proof of date of purchase, at Brinly-Hardy Company's expense. Our obligation under this warranty is expressly limited to replacement or repair, at our option of parts, which are defective in material or workmanship within thirty (30) days of receipt of the parts. This warranty does not apply to damage caused by unreasonable use, including failure to provide necessary maintenance, nor does it apply to any transportation or labor charges.

WE MAKE NO OTHER EXPRESS WARRANTY NOR IS ANYONE AUTHORIZED TO MAKE ANY ON OUR BEHALF. ANY IMPLIED OR STATUTORY WARRANTIES, INCLUDING ANY WARRANTY OF MERCHANTABILITY OR FITNESS FOR A PARTICULAR PURPOSE, ARE LIMITED TO THE DURATION OF THIS WRITTEN WARRANTY. WE SHALL NOT BE LIABLE FOR CONSEQUENTIAL OR INCIDENTAL DAMAGES OF ANY KIND.

MADE IN THE U.S.A.
BRINLY-HARDY COMPANY TOLL-FREE 1-877-728-8224

INTENTIONALLY LEFT BLANK

SINCE 1839

BRINLY

SINCE 1839

OWNER'S MANUAL MANUEL DU PROPRIÉTAIRE MANUAL DEL PROPIETARIO

AERATOR SPREADER / AÉRATEUR-ÉPANDEUR / AIREADOR-ESPARCIDOR

MODEL:
MODÈLE :
MODELO:

AS-30 BH
AS-40 BH

- Assembly
- Installation
- Operation
- Repair Parts

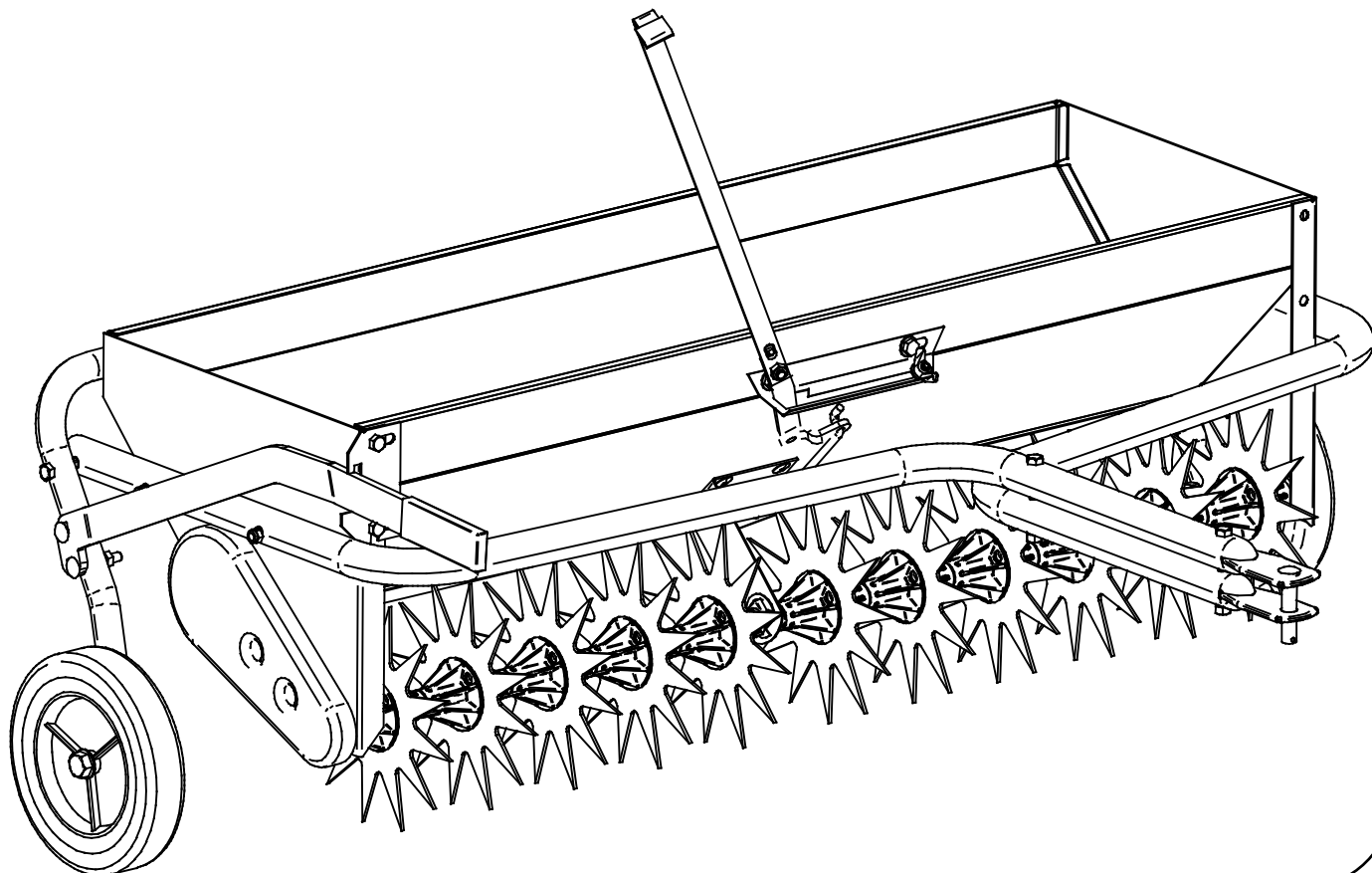
For use with Lawn/Garden Tractors

- Assemblage
- Installation
- Mode d'emploi
- Pièces de réparation

À utiliser avec les tondeuses autoportées/microtracteurs

- Montaje
- Instalación
- Operación
- Piezas para reparación

Para uso con tractores de césped y jardín



For the latest product updates and setup tips:

Pour les dernières nouvelles sur les produits et des conseils d'installation :

Para consultar las últimas actualizaciones de productos y obtener consejos sobre configuración:

Visit us on the web! www.brinly.com
Visitez-nous sur le Web ! www.brinly.com
¡visítenos en la web! www.brinly.com

Important: This manual contains information for the safety of persons and property. Read it carefully before assembly and operation of the equipment!

Important : Ce manuel contient de l'information pour la sécurité des personnes et de la propriété. Lisez-le attentivement avant d'assembler et de faire fonctionner l'équipement !
Importante: Este manual contiene información sobre la seguridad de las personas y la propiedad. ¡Léalo atentamente antes de realizar el armado y utilizar el equipo!

L-1711BH Rev. D

FÉLICITATIONS pour votre nouvel aérateur de pelouse Brinly-Hardy. Il a été conçu, usiné et fabriqué pour vous offrir la meilleure fiabilité et la meilleure performance possibles.

Si vous avez des problèmes que vous ne pouvez pas corriger facilement, n'hésitez pas à contacter notre service à la clientèle bien informé au numéro sans frais suivant : 1-877-728-8224. Nous comptons des techniciens compétents, bien formés pour vous aider à réparer votre aérateur.

RESPONSABILITÉS DU CLIENT

Veillez lire et conserver ce manuel. Familiarisez-vous avec tout le manuel avant de commencer et vérifiez que vous avez bien toute la quincaillerie requise. Veuillez aussi toujours respecter les « règles de sécurité ». Respectez un horaire régulier d'entretien et d'utilisation de votre aérateur-épandeur.

Les instructions vous permettront d'assembler et d'entretenir correctement votre aérateur-épandeur. Veuillez aussi toujours respecter les « RÈGLES DE SÉCURITÉ ».

TABLE DES MATIÈRES

RÈGLES DE SÉCURITÉ	2
RÉFÉRENCE	3
RÉFÉRENCES DES PIÈCES	4
LISTE DE PIÈCES	5
ASSEMBLAGE	6 À 9
MODE D'EMPLOI	9-10
ENTRETIEN	10
GARANTIE	11



RÈGLES DE FONCTIONNEMENT SANS DANGER

- Connaissez les commandes et comment arrêter l'appareil rapidement, LISEZ LE MANUEL DU PROPRIÉTAIRE.
- Ne laissez pas les enfants utiliser le véhicule, ne laissez pas les adultes faire fonctionner l'appareil sans avoir les instructions appropriées ou sans avoir lu le manuel du propriétaire.
- Ne transportez pas de passagers. Tenez les enfants et les animaux domestiques à une distance sécuritaire.
- Portez toujours des souliers robustes. Ne portez pas de vêtements amples qui pourraient se prendre dans les pièces mobiles.
- Surveillez et soyez alerte face à votre tracteur/accessoire et la région à couvrir. Ne laissez rien vous distraire.
- Restez vigilant pour voir tous les trous sur le terrain et autres dangers cachés.
- Ne circulez pas près de ruisseaux, fossés et voies publiques.
- Attention à la circulation en traversant les routes ou en vous déplaçant près des routes.
- Ne laissez personne près de l'équipement lorsque l'équipement est en marche.
- Gardez le véhicule et l'accessoire en bon état et les dispositifs de sécurité en place.

- Gardez tous les écrous, boulons et vis serrés pour vous assurer que l'équipement soit en bon état de marche.
- Le véhicule et l'accessoire doivent être arrêtés et inspectés pour tout signe de dommage après avoir frappé un objet étranger. Tout dommage doit être réparé avant de redémarrer et de faire fonctionner l'équipement.
- Consultez le manuel du propriétaire de l'équipement à tracteur pour une utilisation sécuritaire de l'équipement.



ATTENTION :

Pour éviter d'endommager les dents de l'appareil, engagez toujours les roues de transport pour soulever les dents en traversant des allées, des entrées ou des routes de béton ou d'asphalte.

Utilisez l'aérateur-épandeur seulement sur une pelouse bien établie, jamais sur de la tourbe fraîchement installée.

Pour éviter toute blessure possible et/ou dommage à l'équipement, ne dépassez jamais la plage de vitesse d'exploitation de 3 à 5 mi/h.

Les dents ont des pointes tranchantes. Portez des gants et manipulez-les avec soin.

Remorquez votre aérateur-épandeur seulement derrière les véhicules pour lesquels il a été conçu, les tondeuses autoportées et les mototondeuses autoportées/microtracteurs.

Ne vous tenez pas et ne montez pas sur l'aérateur-épandeur, car vous pourriez vous blesser.

Ne dépassez jamais le poids maximum de la trémie qui est de 70 livres pour le modèle AS-302 et de 100 livres pour le modèle AS-402.

N'essayez pas de débrancher l'aérateur du tracteur lorsqu'il y a une charge sur la trémie.

Reculez prudemment et avec soin bien droit pour éviter toute mise en tête-à-queue qui pourrait endommager l'équipement.



Ce symbole aidera à souligner les précautions de sécurité importantes dans ce manuel. Ceci signifie - ATTENTION ! SOYEZ VIGILANT ! Votre sécurité est en jeu.

RÉFÉRENCE

Outils requis pour l'assemblage :

* clé

* paire de gants de travail

* marteau

* clé de 3/4 po (2)

OU

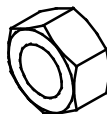
* clé réglable de 10 po (2)

Une note au sujet des écrous utilisés dans l'assemblage de votre **aérateur-épandeur** :

1. Les contre-écrous et les écrous hex tournent librement sur les filets des boulons. Normalement, une rondelle frein est utilisée pour verrouiller l'écrou bien en place.



Contre-écrou

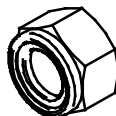


Écrou hex

2. Les écrous freinés et les contre-écrous de nylon offrent une résistance après plusieurs tours sur les filets des boulons. **Il faut normalement utiliser une clé durant l'installation.**

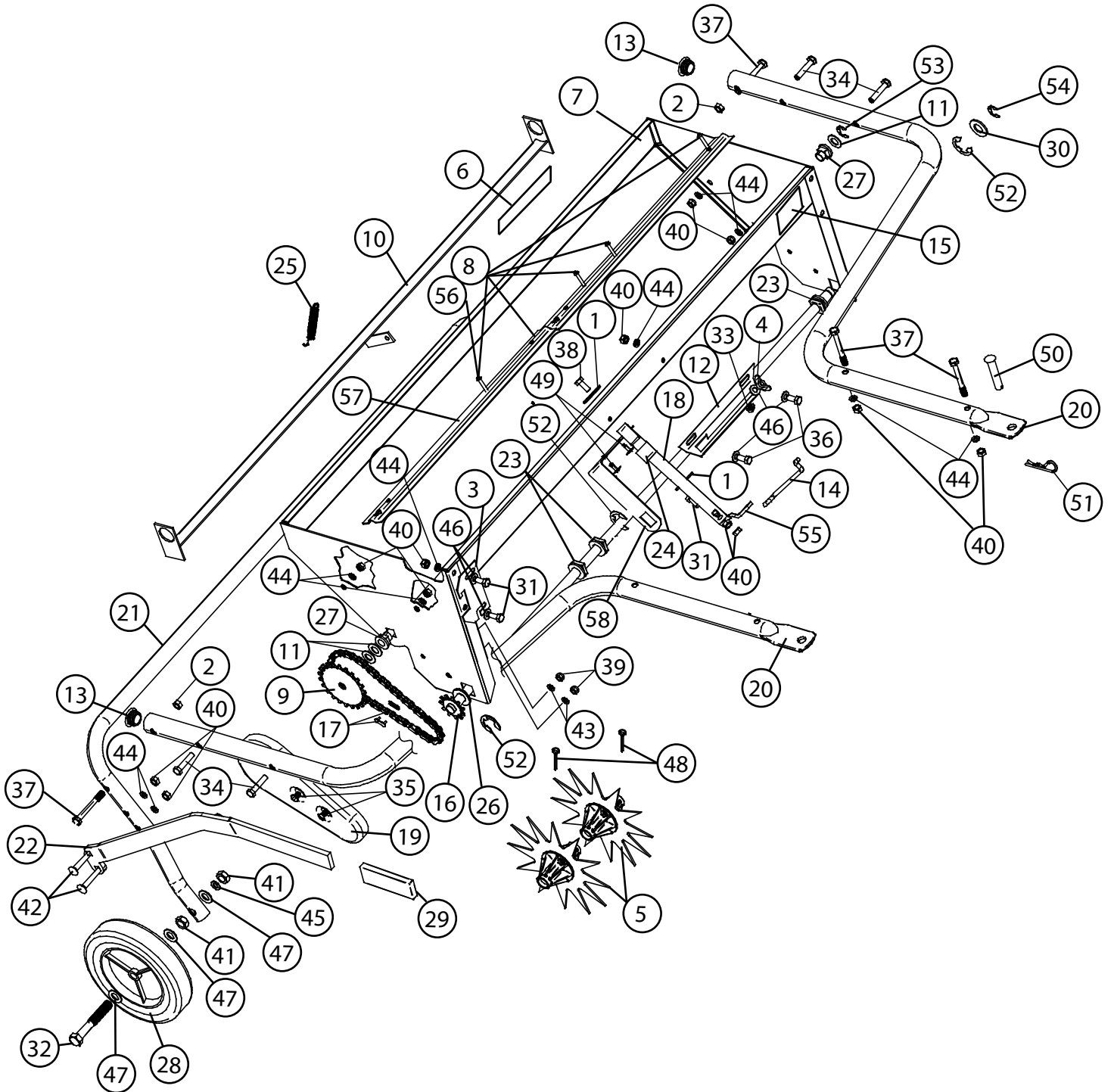


Écrou freiné



Contre-écrou de nylon

Notes :



Liste de pièces

N° RÉF.	AS-302 N° PIÈCE	AS-402	DESCRIPTION	QTÉ
1	R-774	R-774	Flat Washer - Large	2
*2	B-1674P	B-1674P	5/16" Hex Lock Nut	3
*3	B-6520	B-6520	Transport Lock	1
4	B-4030	B-4030	1/4" Wing Nut	1
5	B-6407	B-6407	Aerator Tine Assembly	8 ou 11
6	B-5922	B-5922	Brinly Logo Decal	1
7	B-4701-10	B-5718-10	Hopper Assembly	1
8	K-653	K-654	Agitator Kit (Hwd.Incl.)	2
9	B-5474-10	B-5720-10	Agitator Shaft Assembly	1
10	B-4709-10	B-5726-10	Shutter Assembly	1
11	B-4713	B-4713	1/2" Washer	3
12	B-4715Y	B-4715Y	Calibration Plate	1
*13	B-6484	B-6484	Cap Tube	2
14	B-4719-01	B-4719-01	Shutter Link	1
15	R-1946	R-1946	Decal Instruction/ "CE" Label	1
16	B-5472	B-5722	Tine Shaft Assembly	1
17	B-4724-CPT	B-4724-CPT	Drive Chain and Offset Link	1
18	B-6515-10	B-6515-10	Upper Lever	1
19	B-4726	B-4726	Chain Shield	1
20	B-6409-10	B-6410-10	Tow Bar	2
21	B-6411-10	B-6412-10	Wheel Support Assembly	1
22	B-6413-10	B-6413-10	Lift Handle	1
23	B-4732	B-4732	5/8" Square Bearing (large)	2 ou 3
*24	B-4733	B-4733	Vinyl Grip (1/8" x 3/4")	1
25	B-4747	B-4747	Tension Spring	1
26	B-4768	B-4768	5/8" (Thin) Washer	3
27	F-383	F-383	1/2" Square Bearing (small)	2
28	B-6526	B-6526	Wheel	2
*29	R-2435	R-2435	Handle Grip (5/16" x 1-1/4")	1
30	B-5456	B-5456	5/8" (Thick) Washer	4
*31	2M1012P	2M1012P	Hex Bolt, 5/16" x 3/4"	3
*32	B-6517	B-6517	Hex Bolt, 1/2" x 3-1/2"	2
33	10M0808P	10M0808P	Carriage Bolt, 1/4" x 1/2"	1
*34	2M1032P	2M1032P	Hex Bolt, 5/16" x 2"	4
35	2M0808P	2M0808P	Hex Bolt, 1/4" x 1/2"	2
36	2M1008P	2M1008P	Hex Bolt, 5/16" x 1/2"	2
*37	B-6516	B-6516	Hex Bolt, 5/16" x 3"	4
38	2M1016P	2M1016P	Hex Bolt, 5/16" x 1"	1
39	30M0800P	30M0800P	Hex Nut, 1/4"	2
*40	30M1000P	30M1000P	Hex Nut, 5/16"	14
*41	31M1600P	31M1600P	Hex Jam Nut, 1/2"	4
*42	11M1028P	11M1024P	Carriage Bolt, 5/16" x 1-3/4"	2
43	40M0800P	40M0800P	Lock Washer, 1/4"	2
*44	40M1000P	40M1000P	Lock Washer, 5/16"	14
*45	40M1600P	40M1600P	Lock Washer, 1/2"	2
*46	45M1111P	45M1111P	Flat Washer, 5/16"	5
*47	45M1717P	45M1717P	Flat Washer, 1/2"	6
48	50M0524P	50M0524P	Cotter Pin, 5/32 x 1-1/2"	2
49		V-302P	Pop Rivet, 3/16" x .277	4
*50	B-3861	B-3861	Drawbar Pin	1
*51	D-146P	D-146P	Hairpin Cotter	1
52	B-4307	B-4307	"E" Ring, 1"	2 ou 3
53	F-621	F-621	"E" Ring, 1/2"	1
54	F-577	F-577	"E" Ring, 5/8"	1
55	B-6414-10	B-6414-10	Lower Lever	1
56	B-5804	B-5804	Pop Rivet, 3/16" x .815	4
57	B-4705-10	B-5461-10	Agitator	2
58		B-5680-10	Center Strap	1

* Pièces dans le sac de quincaillerie

Figure 1.

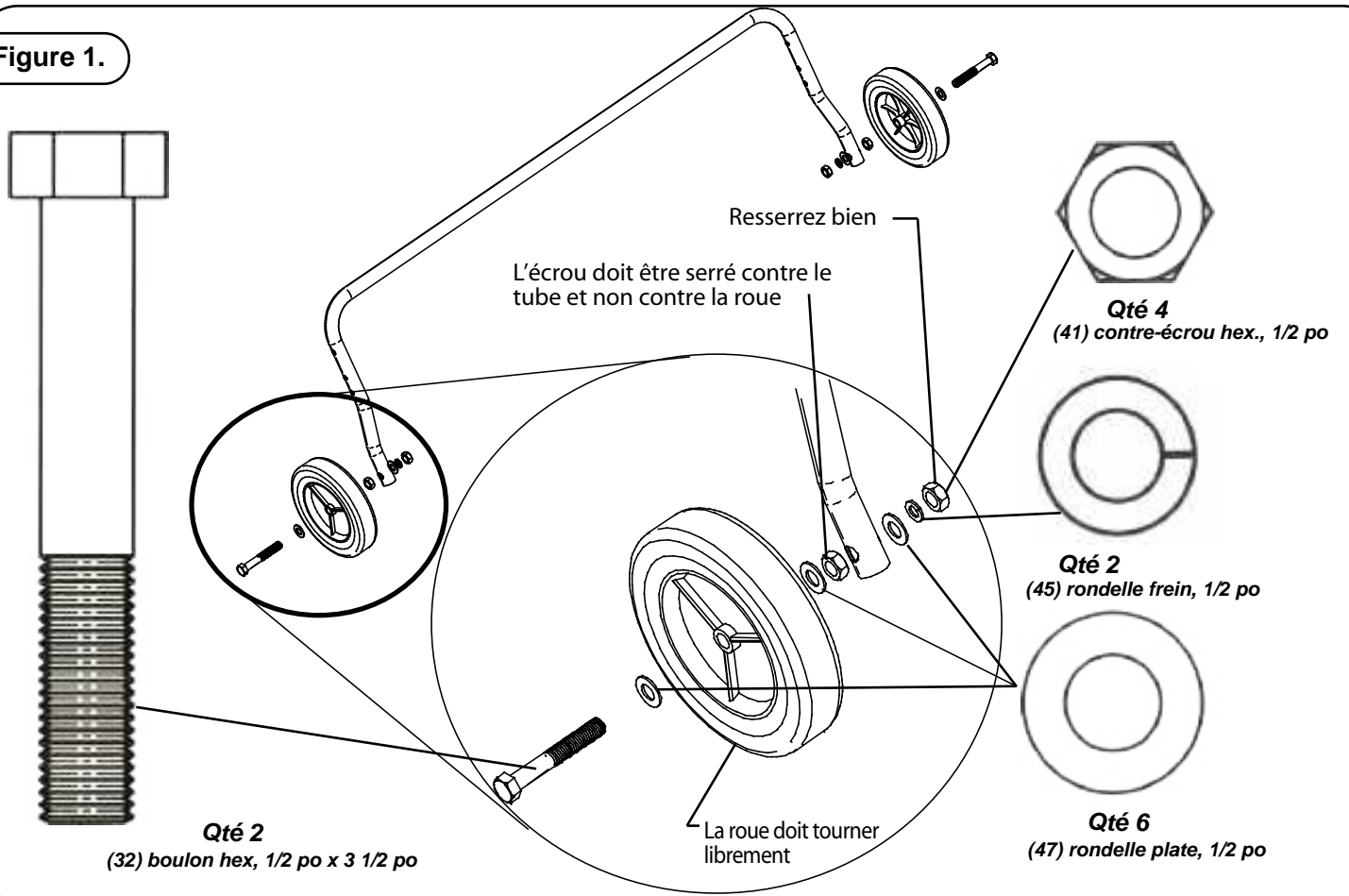


Figure 2.

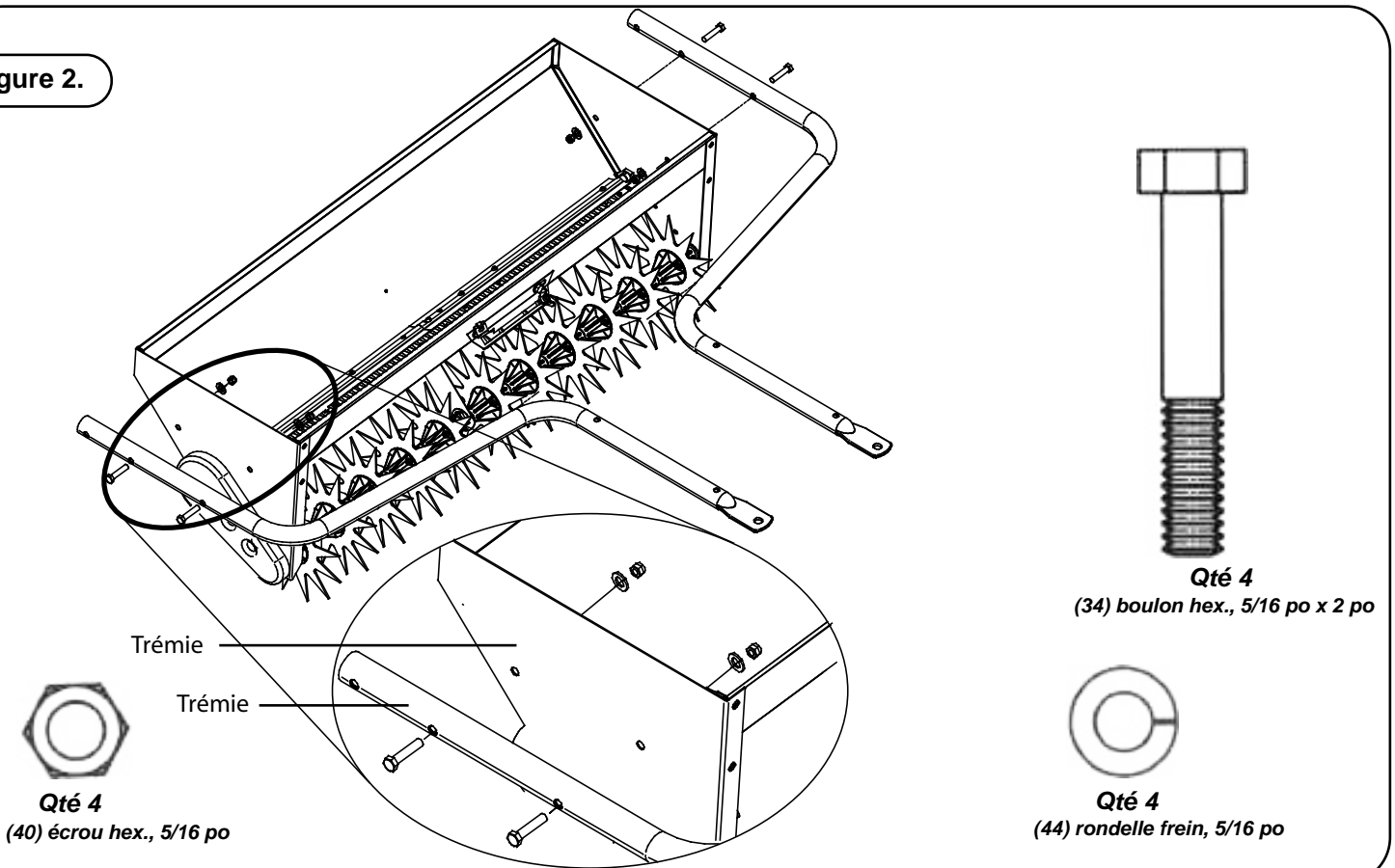
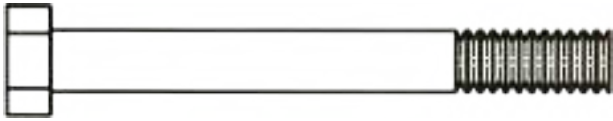


Figure 3.



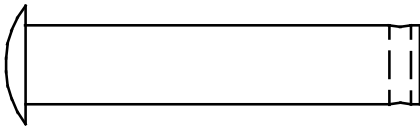
Qté 2
(37) boulon hex., 5/16 po x 3 po



Qté 2
(40) écrou hex., 5/16 po



Qté 2
(44) rondelle frein, 5/16 po



Qté 1
(50) goupille de la barre
d'attelage
1/2 po x 2 1/2 po

Qté 1
(51) goupille en
épingle à cheveux
(N'EST PAS À
L'ÉCHELLE)

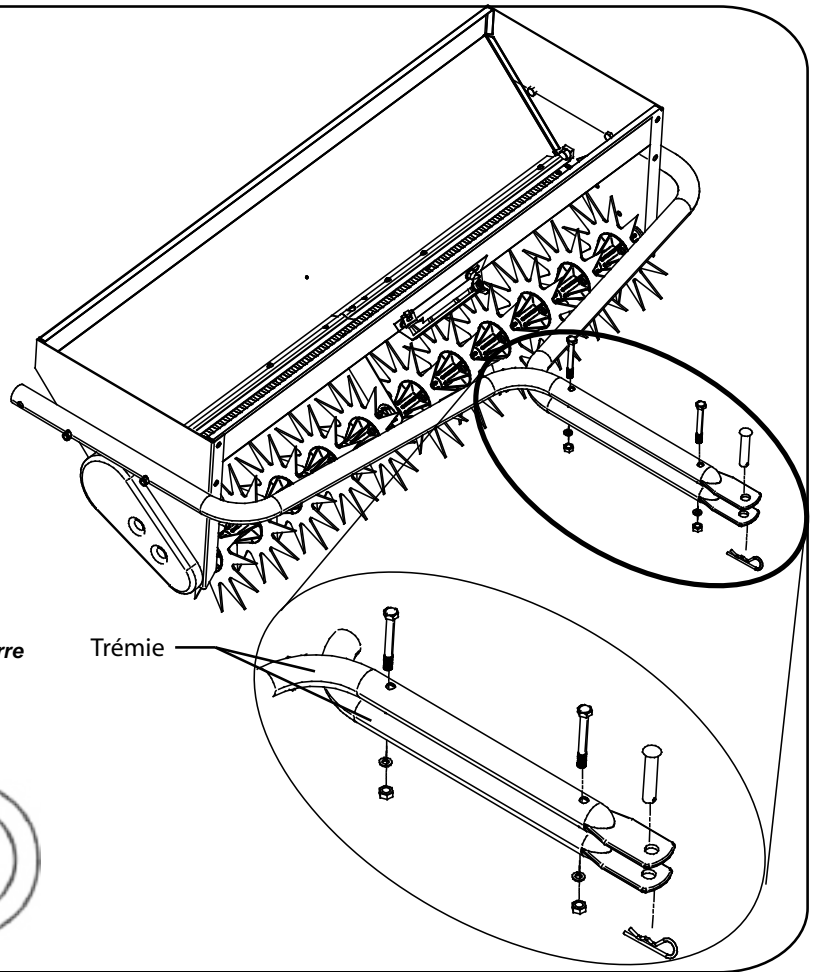
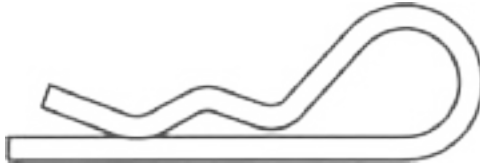
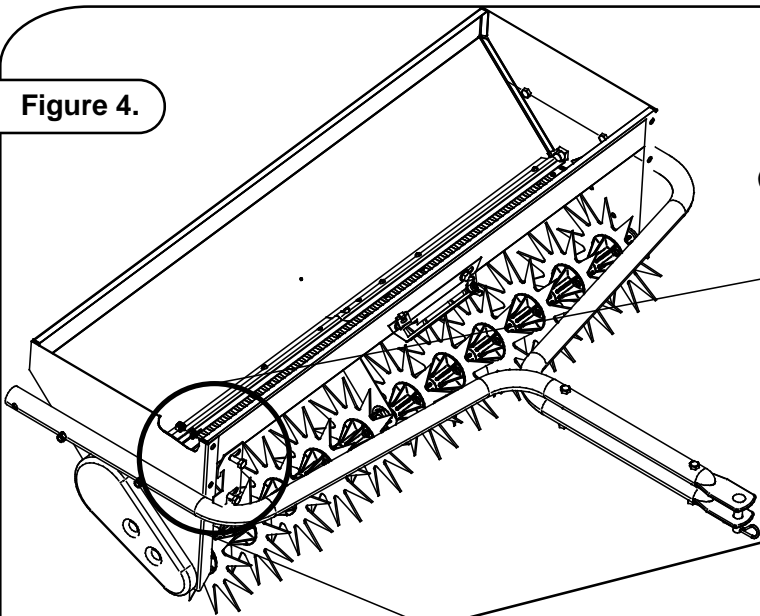
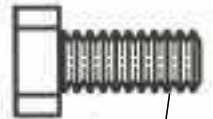


Figure 4.



Qté 2
(46) rondelle plate, 5/16 po



Qté 2
(31) boulon hex., 5/16 po x 3/4 po



Qté 2
(40) écrou hex., 5/16 po



Qté 2
(44) rondelle frein, 5/16 po

Trémie

Plaque de
transport

Figure 5.

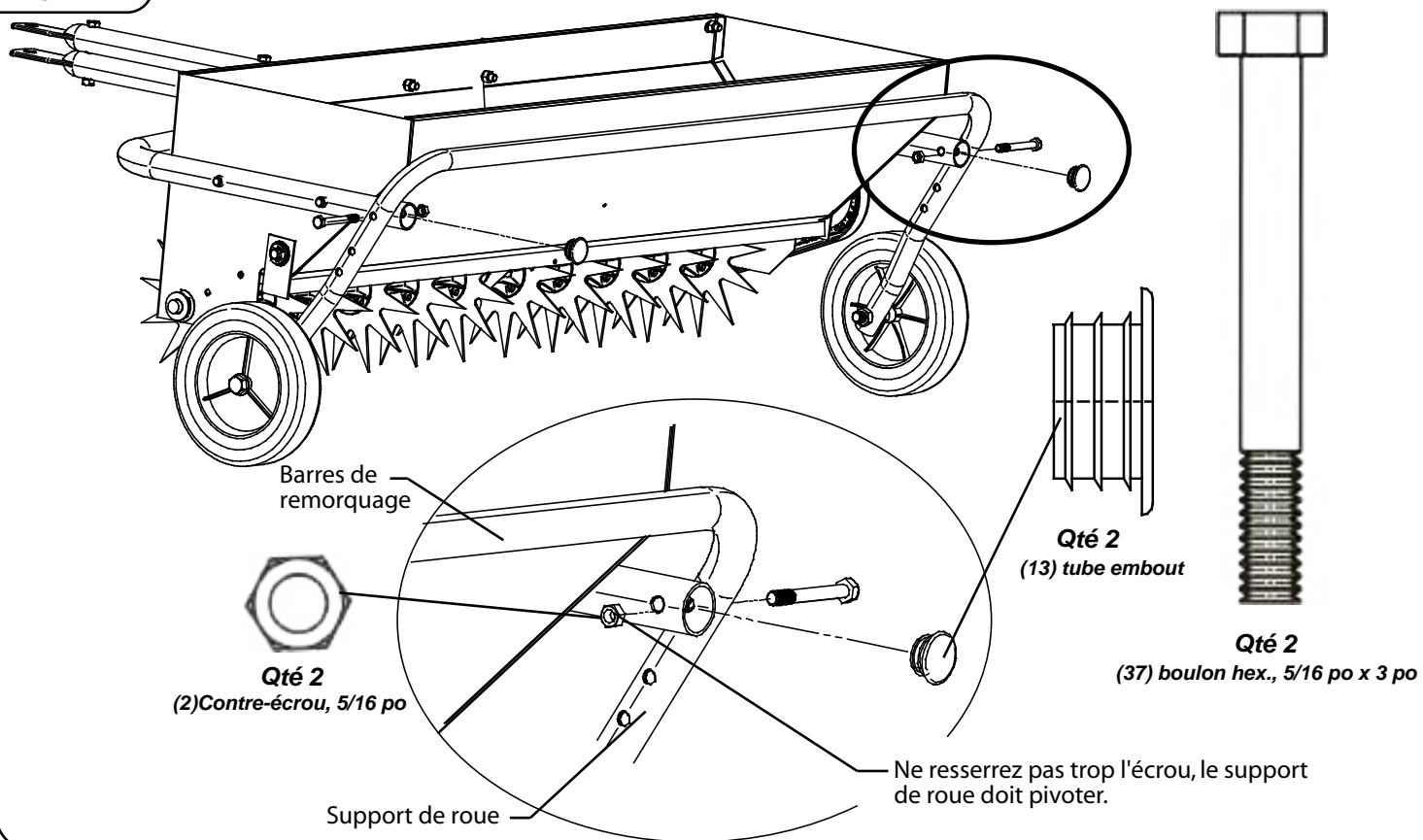


Figure 6.

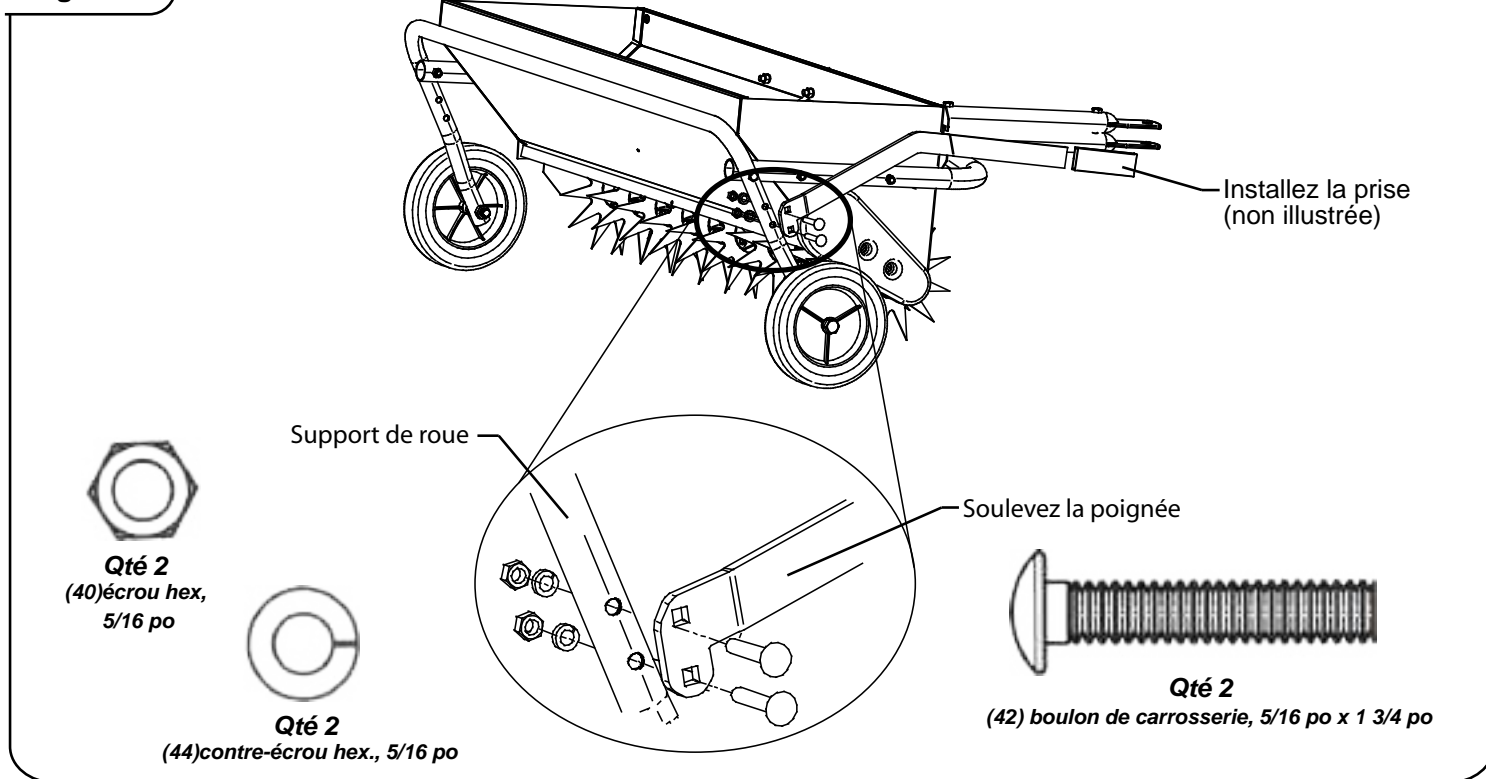
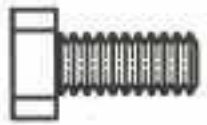


Figure 7.



Qté 1
(40)écrou hex., 5/16 po

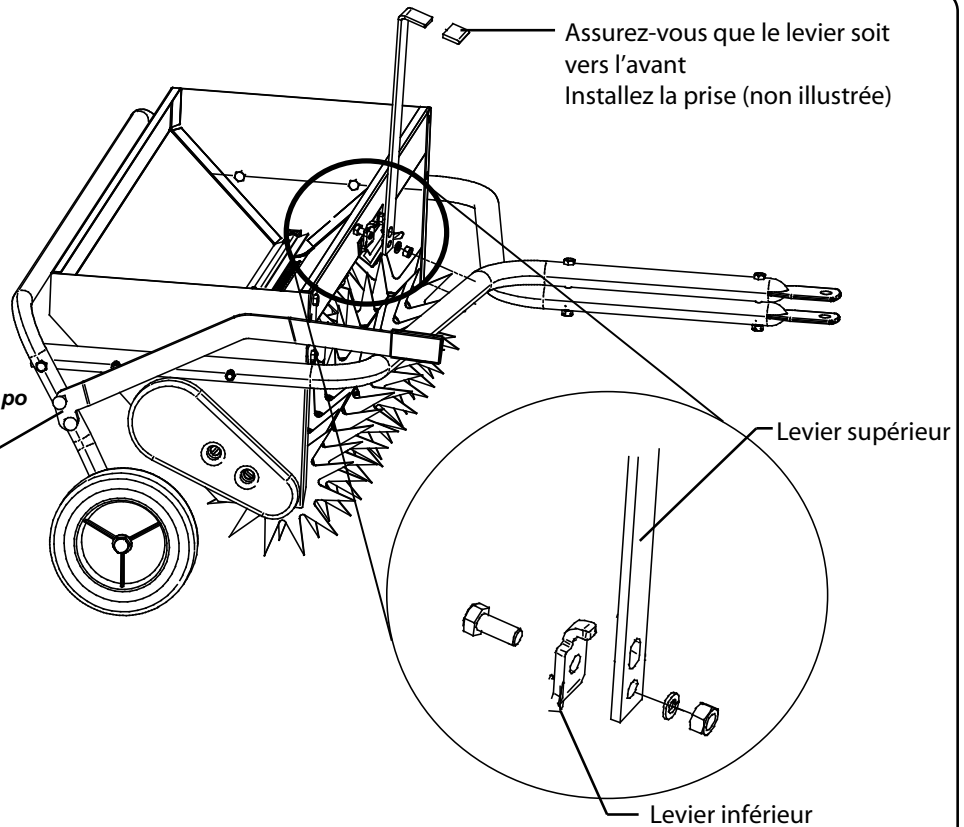


Qté 1
(31)Boulon hex 5/16 po x 3/4 po

Position de transport



Qté 1
(44) rondelle frein, 5/16 po



MODE D'EMPLOI : _____

QUAND L'UTILISER :

Votre aérateur-épandeur ne devrait pas être utilisé lorsque la pelouse est trop humide ou trop sèche. On peut déterminer cela en creusant une petite quantité de terre (environ trois pouces de profondeur) et en vérifiant. Si la terre semble poudreuse et s'effrite facilement - c'est trop sec. Attendez qu'il pleuve pour poursuivre le travail. Si la terre semble humide, roulez-la dans la paume des mains - si elle forme une boule qui ne se décompose pas en frappant le sol, c'est trop humide. Attendez plus tard pour que la terre sèche un peu. Idéalement, la terre devrait se décomposer.

REMARQUE : si la terre est trop humide, les dents de l'aérateur pénétreront trop profondément et votre tracteur perdra de la traction ce qui endommagera la pelouse. Si la terre est trop sèche, les dents de l'aérateur ne pénétreront pas correctement dans la terre.

CONSEILS D'UTILISATION : _____

Installez l'aérateur-épandeur à votre tracteur à l'aide d'une goupille de barre d'attelage de 1/2 po et d'une goupille en épingle à cheveux fournies (voir la fig. 3). Tirez la poignée de transport vers le tracteur et verrouillez en position relevée (roues de transport engagées) (voir la fig. 7).

Réglez la commande de débit au réglage approprié en utilisant l'écrou à oreilles de nylon (voir le tableau de réglage de commande de débit alternatif de la page 10) et déplacez le levier de commande à la position fermée (« 0 »).

Remplissez la trémie de matière à étaler au site du travail.

Décomposez tous les gros morceaux en remplissant la trémie.

La vitesse de fonctionnement recommandée est de 3 à 5 mi/h, soit un peu plus que la vitesse d'une marche rapide. Réglez le sélecteur d'embrayage/des gaz pour cette vitesse. Pour arriver à cette vitesse, calibrez votre tracteur à 3 mi/h en :

Mesurez une distance de 20 pieds sur une surface à niveau et à plat. Ajustez les gaz du tracteur et choisissez un embrayage qui couvre cette distance en 4,5 secondes. Pour ajuster à 4 mi/h, couvrez la même distance en 3,4 secondes.

Faites avancer le tracteur/la tondeuse tandis que vous ouvrez la commande de débit avec le levier de commande.



MISE EN GARDE ! Évitez d'arrêter l'appareil avec la commande de débit en position OUVRETE car la matière continuera à sortir de l'ouverture de la trémie. Si l'engrais se tombe en trop grande quantité sur une petite surface, arrosez bien avec un tuyau de jardin pour éviter de brûler la pelouse.

Les dents de l'aérateur doivent être en position abaissée pour que l'aérateur-épandeur fonctionne. L'agitateur est alimenté par les dents de l'aérateur.

IMPORTANT :

Soyez prudent en reculant et reculez avec soin BIEN DROIT pour éviter toute mise en tête-à-queue qui pourrait endommager votre équipement.

MODE D'EMPLOI suite...

RÉGLAGE DE COMMANDE DE DÉBIT

Ouvrir et fermer : le débit se ferme en déplaçant le levier de commande à gauche et en le verrouillant dans l'encoche en « V » sur la plaque de calibrage.

Réglage de débit : pour régler le débit, mettez le levier de commande à la position d'arrêt (dans l'encoche en « V »). Déterminez le réglage voulu selon la description suivante. Desserrez l'écrou à oreilles et glissez-la au chiffre voulu, puis resserrez l'écrou. Dégagez la sangle de commande; cela ouvrira la position préréglée.

DÉTERMINER LE CHIFFRE DU RÉGLAGE DE COMMANDE DE DÉBIT

REMARQUE : Les taux d'application d'engrais tel que décrits sont influencés par l'humidité et le contenu d'humidité de la matière, donc il faudra peut-être apporter des ajustements mineurs pour compenser ces conditions.

TABLEAU DU TAUX D'APPLICATION

TYPE DE MATIÈRE	USAGE MOYEN RECOMMANDÉ	RÉGLAGE DE COMMANDE DE DÉBIT
GRAINES :		
Ky. Bluegrass (pâturin des prés)	1 lb/1 000 pi ²	4
Seigle	2 lb/1 000 pi ²	7
Tall Lawn et #31 fescue (fétuque)	3 lb/1 000 pi ²	12
ENGRAIS :		
Lawn Food (33-3-10) (engrais)	3,2 lb/1 000 pi ²	5-1/4
Weed & Feed (33-3-5) (herbicide et engrais)	3.2 lb/1000 sq. ft.	5-1/4

RÉGLAGE DE COMMANDE DE DÉBIT ALTERNATIF

Pour déterminer le réglage voulu pour les matières non indiquées sur le tableau, procédez comme suit :

Déterminer selon le sac de matière, la quantité de matière à étaler sur une section désignée. Exemple : « le contenu de ce sac (25 lb) couvrira 5 000 pieds carrés. »

Déterminez la quantité de matière nécessaire pour couvrir 100 pieds carrés comme suit :

- Ajoutez deux zéros au poids du sac. Exemple : 2 500
- Divisez ce chiffre par le nombre de pieds carrés sur le sac. Par exemple, 2 500 divisé par 5 000 = 0,5 livres de matière par 100 pieds carrés. **REMARQUE :** pour convertir ce poids en onces, multipliez simplement par 16 (16 oz/lb) Exemple : 0,5 lb x 16 = 8 oz

Déterminez le réglage de commande de débit approximatif avec le tableau plus bas montrant le type de matière à étaler.

Mesurez une distance de 40 pieds dans votre cour. Ceci est la distance à couvrir par votre épandeur de 30 po pour la surface de 100 pieds carrés. (2,5 pi (30 po) x 40 pi = 100 pi²) Pour l'épandeur de 40 po, mesurez une distance de 30 pieds dans votre cour, la distance pour couvrir 100 pieds carrés (3,33 pi (40 po) x 30 pi = 100 pi²)

Régalez le contrôle de débit de l'épandeur au réglage de commande de débit approximatif.

Placez 5 livres de matière dans la trémie. Pesez la matière avant et après l'étalement de 100 pieds carrés pour déterminer la quantité de matière utilisée.

Déplacez l'unité pour l'aire à mesurer, abaissez les dents de l'aérateur, ouvrez le levier de commande de débit. Conduisez sur le parcours de 40 pieds, arrêtez l'unité et fermez le levier de commande de débit.

Retirez et pesez le reste de la matière. Soustrayez ce poids de 5 livres pour déterminer la quantité de matière utilisée : si trop de matière est utilisée, réglez la commande de débit à UN chiffre plus bas et essayez à nouveau. Si trop peu de matière est utilisée, réglez la commande de débit à UN chiffre PLUS HAUT et essayez à nouveau.

Après avoir déterminé le bon réglage, enregistrez le type de matière et le réglage à titre de référence.

TABLEAU DE RÉGLAGE DE COMMANDE DE DÉBIT ALTERNATIF

GROSSEUR DE GRAIN DE LA MATIÈRE	COUVERTURE APPROX.		COMMANDE DE DÉBIT APPROX.
	Pds	Couv. pi ²	
ENGRAIS :			
Très gros grain (large, lourd granules et grains)	0,5lb. 1,0lb. 1,5lb.	100 100 100	9 12 15
Grains moyens (granules et granulés)	0,5lb. 1,0 lb. 1,5 lb.	100 100 100	7 10 13
Matière légère (azote, etc.)	0,1 lb. 0,2 lb. 0,3 lb.	100 100 100	3 1/2 4 1/2 5 1/2
GRAINES :			
Large (Ky. 31 Fescue, etc.)	0,3 lb. 0,5 lb. 0,7 lb.	100 100 100	12 16 19
Moyen (seigle, etc.)	0,2 lb. 0,4 lb. 0,6 lb.	100 100 100	7 11 14
Fin (Bluegrass (pâturin des prés), lawn Fescue (fétuque), etc.)	0,1 lb. 0,2 lb. 0,3 lb.	100 100 100	4 4 1/2 5

ENTRETIEN :

Si de la rouille apparaît sur quelque section de votre aérateur-épandeur, poncez délicatement pour retirer la rouille et revêtez délicatement d'un émail.

Appliquez une goutte d'huile lubrifiante pour chaque roulement de nylon (arbre des dents d'aérateur, arbre d'agitateur et roues) avant chaque utilisation.

Assurez-vous de retirer tous les engrais non utilisés immédiatement de la trémie avant d'utiliser et nettoyez à l'eau.

Pour éviter la rouille sur les dents de l'aérateur, appliquez un fin revêtement d'huile sur les dents après chaque utilisation.

Après chaque utilisation, réparez et faites l'entretien selon la description et rangez dans un endroit sec en protégeant les dents pour éviter les blessures.

Garantie limitée

Brinly-Hardy garantit seulement à l'acheteur original au détail que ce produit sera libre de défauts de fabrication et de matériaux sous une utilisation et un service normaux pendant une période de deux (2) ans (NOTE : quatre-vingt-dix (90) jours pour une utilisation commerciale) à partir de la date d'achat.

Toutes les pièces qui s'avèrent défectueuses pendant la période de garantie seront remplacées, avec une preuve de date d'achat, aux frais de la société Brinly-Hardy. Notre obligation sous cette garantie se limite expressément au remplacement ou à la réparation, à notre discrétion, des pièces, défectueuses en termes de matériau ou de fabrication, dans les trente (30) jours suite à la réception des pièces. Cette garantie ne s'applique pas aux dommages causés par une mauvaise utilisation, y compris un mauvais entretien, et ne s'applique pas non plus à tout frais de transport ou de main d'œuvre.

NOUS N'OFFRONS AUCUNE AUTRE GARANTIE EXPRESSE ET NOUS N'AUTORISONS PERSONNE À ASSUMER TOUTE AUTRE GARANTIE EN NOTRE NOM. TOUTES LES GARANTIES IMPLICITES Y COMPRIS LES GARANTIES DE COMMERCIALITÉ ET D'APTITUDE À L'EMPLOI SE LIMITENT À LA PÉRIODE DE GARANTIE ACCORDÉE DANS CETTE GARANTIE ÉCRITE. NOUS NE SERONS PAS TENUE RESPONSABLE DES DOMMAGES INDIRECTS OU CONSÉCUTIFS DE QUELQUE SORTE QUE CE SOIT.

FABRIQUÉ AUX É.U.
NUMÉRO SANS FRAIS DE BRINLY-HARDY COMPANY 1-877-728-8224

INTENTIONALLY LEFT BLANK

SINCE 1839

BRINLY

SINCE 1839

OWNER'S MANUAL MANUEL DU PROPRIÉTAIRE MANUAL DEL PROPIETARIO

AERATOR SPREADER / AÉRATEUR-ÉPANDEUR / AIREADOR-ESPARCIDOR

MODEL:
MODÈLE :
MODELO:

AS-30 BH
AS-40 BH

- Assembly
- Installation
- Operation
- Repair Parts

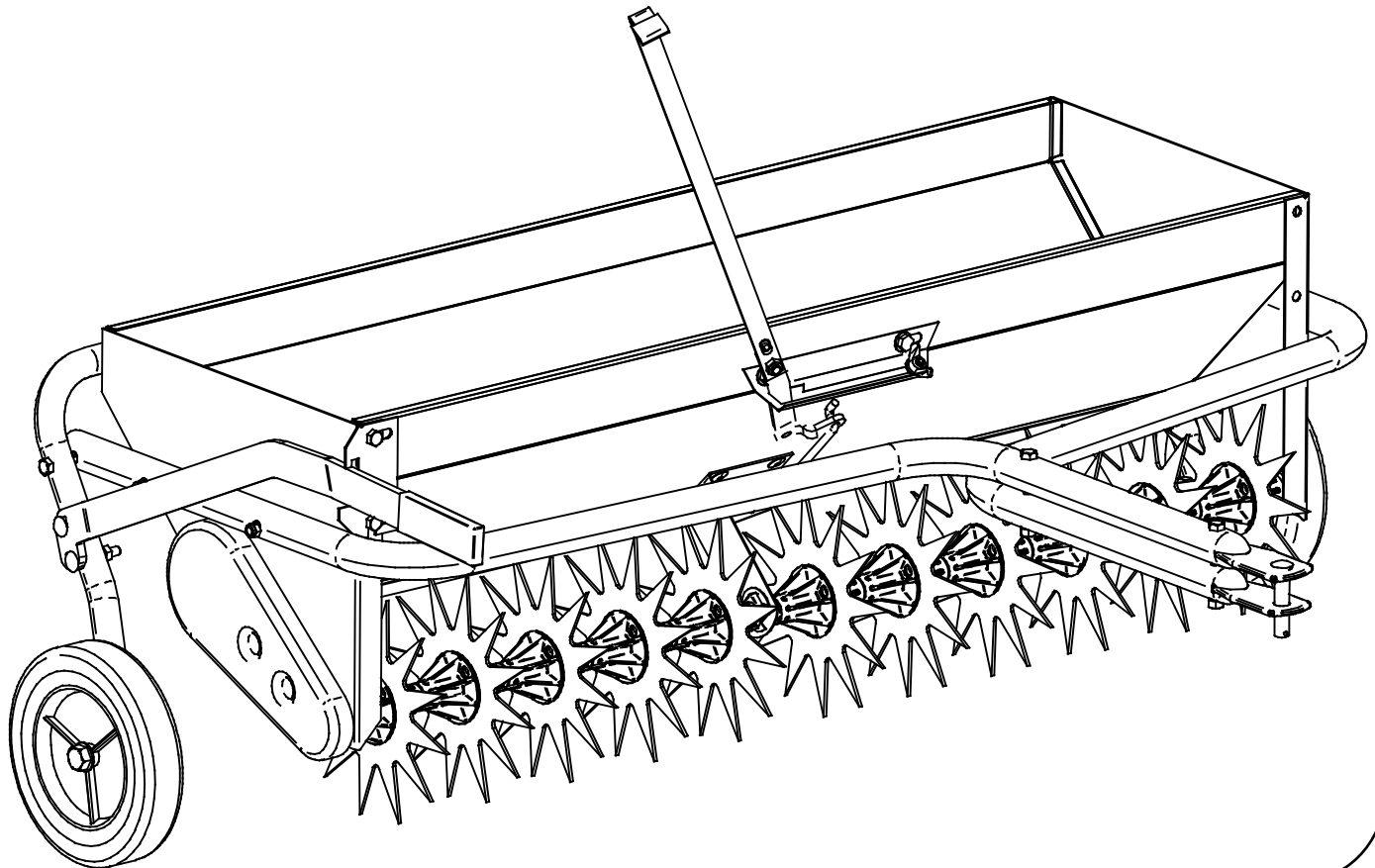
For use with Lawn/Garden Tractors

- Assemblage
- Installation
- Mode d'emploi
- Pièces de réparation

À utiliser avec les tondeuses autoportées/microtracteurs

- Montaje
- Instalación
- Operación
- Piezas para reparación

Para uso con tractores de césped y jardín



For the latest product updates and setup tips:

Pour les dernières nouvelles sur les produits et des conseils d'installation :

Para consultar las últimas actualizaciones de productos y obtener consejos sobre configuración:

Visit us on the web! www.brinly.com
Visitez-nous sur le Web ! www.brinly.com
¡visítenos en la web! www.brinly.com

Important: This manual contains information for the safety of persons and property. Read it carefully before assembly and operation of the equipment!

Important : Ce manuel contient de l'information pour la sécurité des personnes et de la propriété. Lisez-le attentivement avant d'assembler et de faire fonctionner l'équipement !
Importante: Este manual contiene información sobre la seguridad de las personas y la propiedad. ¡Léalo atentamente antes de realizar el armado y utilizar el equipo!

FELICIDADES por la compra de su nuevo aireador-esparcador Brinly-Hardy para césped. Esta unidad ha sido diseñada, planeada y manufacturada para brindarle la mejor confiabilidad y el mejor rendimiento posibles.

Si tiene algún problema que no puede remediar fácilmente, no dude en llamar sin cargo a nuestro experto departamento de servicio al cliente al 1-877-728-8224. Contamos con técnicos capacitados y competentes, dispuestos a brindarle asistencia en el servicio de este producto.

RESPONSABILIDADES DEL CLIENTE

Por favor lea y conserve este manual. Antes de comenzar a utilizar la unidad, lea completamente todo el manual y compruebe que el producto esté equipado con todos los componentes. Además, siga las instrucciones descritas en la sección "Reglas de seguridad". Cumpla un programa regular de mantenimiento, cuidado y uso de su esparcidor-aireador Brinly-Hardy.

Las instrucciones le facilitarán el armado y el mantenimiento apropiados de su aireador-esparcidor. Siga siempre las instrucciones descritas en la sección "Reglas de seguridad".

ÍNDICE

REGLAS DE SEGURIDAD	2
REFERENCIA	3
REFERENCIA DE PIEZAS.....	4
LISTA DE PIEZAS	5
MONTAJE.....	6-9
OPERACIÓN.....	9-10
MANTENIMIENTO	10
GARANTÍA	11



REGLAS PARA LA OPERACIÓN SEGURA

Conozca los controles y sepa cómo detener el vehículo rápidamente. **LEA EL MANUAL DEL PROPIETARIO.**

No permita que los niños operen el vehículo. No deje que los adultos lo hagan si no han recibido instrucciones adecuadas o si no han leído el manual del propietario.

No transporte pasajeros. Mantenga a niños y animales alejados de la unidad y a una distancia segura.

Use siempre calzado fuerte. No use ropa floja que pueda atorarse en las piezas móviles.

Concentre su vista y su mente en el tractor, el accesorio y la zona de trabajo. No se distraiga con otras cosas.

Manténgase alerta para evitar pozos en el terreno y otros peligros ocultos.

No conduzca cerca de arroyos, zanjas y carreteras públicas.

Cúidese del tráfico al cruzar calles o al conducir cerca de ellas.

Al usar cualquier accesorio, no permita que ninguna persona se acerque al vehículo durante la operación.

Mantenga el vehículo y el accesorio en buenas condiciones de operación y mantenga los dispositivos de seguridad en su lugar.

Mantenga apretados todos los tornillos, tuercas y pernos para asegurarse de que el equipo esté en condiciones de trabajo seguras.

En caso de golpear contra algún objeto externo, detenga el vehículo y el accesorio e inspecciónelos para comprobar que no estén dañados. Todo daño debe ser reparado antes de volver a poner en marcha y operar el equipo.

Para obtener instrucciones sobre la operación segura del equipo, lea el manual del propietario del tractor.



PRECAUCIÓN:

Al cruzar aceras, caminos o carreteras de concreto o asfalto, acople siempre las ruedas de transporte para elevar las púas y evitar que se dañen.

Utilice el aireador-esparcidor únicamente en césped asentado y nunca en pasto recién sembrado.

A fin de evitar lesiones personales y/o daños al equipo, nunca exceda los límites de velocidad recomendados de 3 a 5 MPH.

Las púas tienen puntas filosas. Use guantes y manéjelas con cuidado.

Sólo remolque el aireador-esparcidor detrás de vehículos para los cuales haya sido específicamente diseñado, tales como cortadoras autopropulsadas y tractores de césped y jardín.

No se pare o suba en el aireador-esparcidor, pues podría sufrir lesiones físicas.

No exceda nunca la capacidad de peso de la tolva, que es de 70 libras para el modelo AS-302 y de 100 libras para el modelo AS-402.

No intente desconectar el aireador del tractor si la tolva está cargada.

Al retroceder, hágalo cuidadosamente y en forma recta para evitar que el remolque se doble en ángulo, pues esto podría causar daños al equipo.



Este símbolo contribuirá a señalar las precauciones de seguridad importantes que aparecen a lo largo de este manual. El mismo significa ¡ATENCIÓN! ¡MANTÉNGASE ALERTA! Su seguridad está en juego.

REFERENCIA

Herramientas requeridas para el montaje:

- * Llave de 1/2 pulg. (2)
- * Un par de guantes de trabajo
- * Martillo

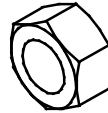
- * Llave de 3/4 pulg. (2)
- O BIEN
- * Llave ajustable de 10 pulg. (2)

Observaciones sobre las tuercas utilizadas en el montaje de su aireador-esparcidor:

1. Las contratuercas y las tuercas hexagonales giran libremente en las roscas de los pernos. Generalmente, para trabar una tuerca firmemente en posición se utiliza una arandela de seguridad.



Contratuerca

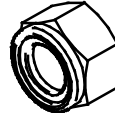


Tuerca hexagonal

2. Las tuercas de seguridad comunes y con inserto de nailon se traban al cabo de varios giros en las roscas de los pernos. **Para su instalación, normalmente se requiere una llave.**

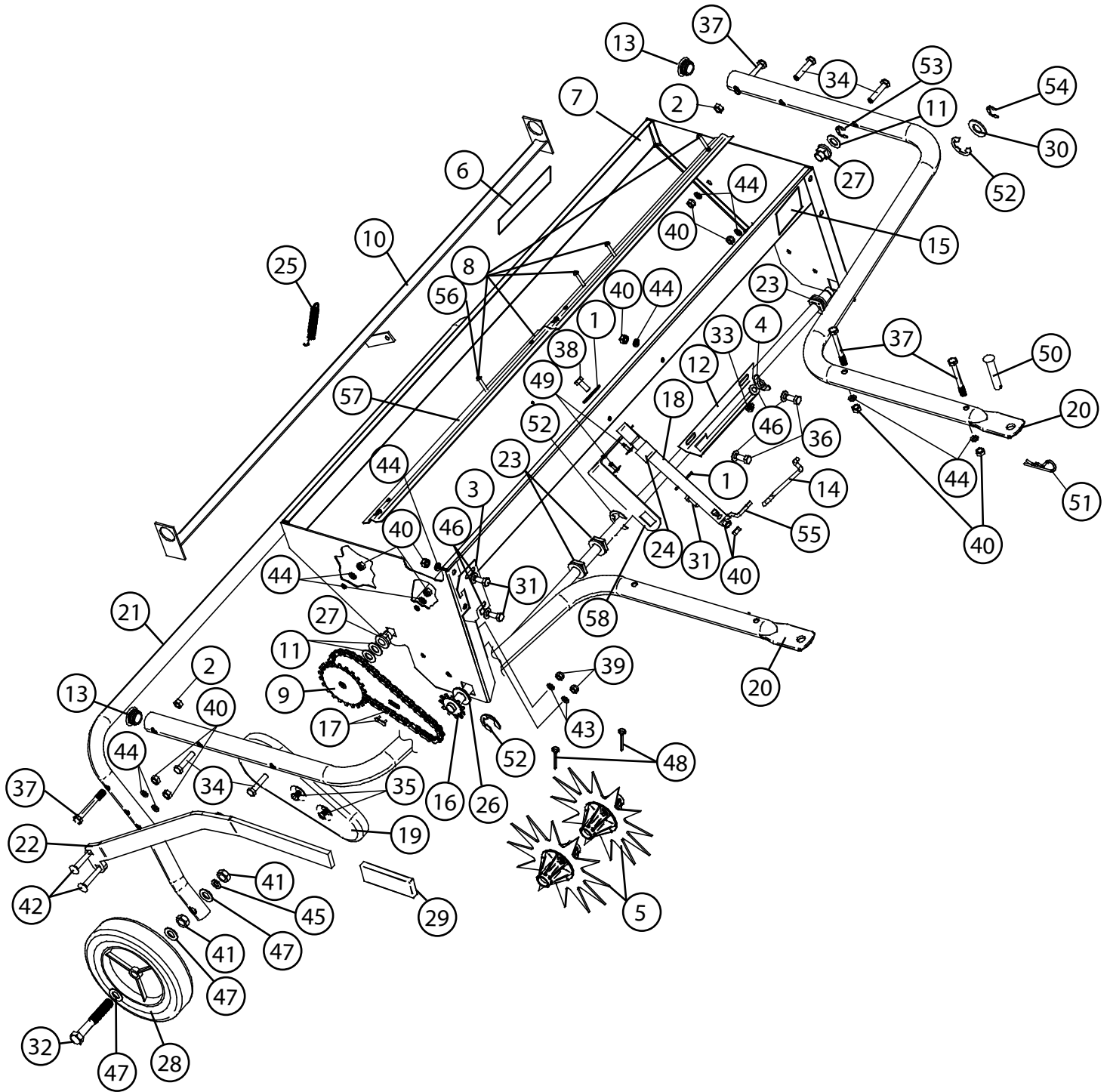


Tuerca de seguridad



Tuerca de seguridad
con inserto de nailon

Notas:



Lista de piezas

REF. N.º	AS-302 PIEZA N.º	AS-402	DESCRIPCIÓN	CANT.
1	R-774	R-774	Flat Washer - Large	2
*2	B-1674P	B-1674P	5/16" Hex Lock Nut	3
*3	B-6520	B-6520	Transport Lock	1
4	B-4030	B-4030	1/4" Wing Nut	1
5	B-6407	B-6407	Aerator Tine Assembly	8 o 11
6	B-5922	B-5922	Brinly Logo Decal	1
7	B-4701-10	B-5718-10	Hopper Assembly	1
8	K-653	K-654	Agitator Kit (Hwd.Incl.)	2
9	B-5474-10	B-5720-10	Agitator Shaft Assembly	1
10	B-4709-10	B-5726-10	Shutter Assembly	1
11	B-4713	B-4713	1/2" Washer	3
12	B-4715Y	B-4715Y	Calibration Plate	1
*13	B-6484	B-6484	Cap Tube	2
14	B-4719-01	B-4719-01	Shutter Link	1
15	R-1946	R-1946	Decal Instruction/ "CE" Label	1
16	B-5472	B-5722	Tine Shaft Assembly	1
17	B-4724-CPT	B-4724-CPT	Drive Chain and Offset Link	1
18	B-6515-10	B-6515-10	Upper Lever	1
19	B-4726	B-4726	Chain Shield	1
20	B-6409-10	B-6410-10	Tow Bar	2
21	B-6411-10	B-6412-10	Wheel Support Assembly	1
22	B-6413-10	B-6413-10	Lift Handle	1
23	B-4732	B-4732	5/8" Square Bearing (large)	2 o 3
*24	B-4733	B-4733	Vinyl Grip (1/8" x 3/4")	1
25	B-4747	B-4747	Tension Spring	1
26	B-4768	B-4768	5/8" (Thin) Washer	3
27	F-383	F-383	1/2" Square Bearing (small)	2
28	B-6526	B-6526	Wheel	2
*29	R-2435	R-2435	Handle Grip (5/16" x 1-1/4")	1
30	B-5456	B-5456	5/8" (Thick) Washer	4
*31	2M1012P	2M1012P	Hex Bolt, 5/16" x 3/4"	3
*32	B-6517	B-6517	Hex Bolt, 1/2" x 3-1/2"	2
33	10M0808P	10M0808P	Carriage Bolt, 1/4" x 1/2"	1
*34	2M1032P	2M1032P	Hex Bolt, 5/16" x 2"	4
35	2M0808P	2M0808P	Hex Bolt, 1/4" x 1/2"	2
36	2M1008P	2M1008P	Hex Bolt, 5/16" x 1/2"	2
*37	B-6516	B-6516	Hex Bolt, 5/16" x 3"	4
38	2M1016P	2M1016P	Hex Bolt, 5/16" x 1"	1
39	30M0800P	30M0800P	Hex Nut, 1/4"	2
*40	30M1000P	30M1000P	Hex Nut, 5/16"	14
*41	31M1600P	31M1600P	Hex Jam Nut, 1/2"	4
*42	11M1028P	11M1024P	Carriage Bolt, 5/16" x 1-3/4"	2
43	40M0800P	40M0800P	Lock Washer, 1/4"	2
*44	40M1000P	40M1000P	Lock Washer, 5/16"	14
*45	40M1600P	40M1600P	Lock Washer, 1/2"	2
*46	45M1111P	45M1111P	Flat Washer, 5/16"	5
*47	45M1717P	45M1717P	Flat Washer, 1/2"	6
48	50M0524P	50M0524P	Cotter Pin, 5/32 x 1-1/2"	2
49		V-302P	Pop Rivet, 3/16" x .277	4
*50	B-3861	B-3861	Drawbar Pin	1
*51	D-146P	D-146P	Hairpin Cotter	1
52	B-4307	B-4307	"E" Ring, 1"	2 o 3
53	F-621	F-621	"E" Ring, 1/2"	1
54	F-577	F-577	"E" Ring, 5/8"	1
55	B-6414-10	B-6414-10	Lower Lever	1
56	B-5804	B-5804	Pop Rivet, 3/16" x .815	4
57	B-4705-10	B-5461-10	Agitator	2
58		B-5680-10	Center Strap	1

* Componente incluido en la bolsa de piezas de ferretería

Figura 1.

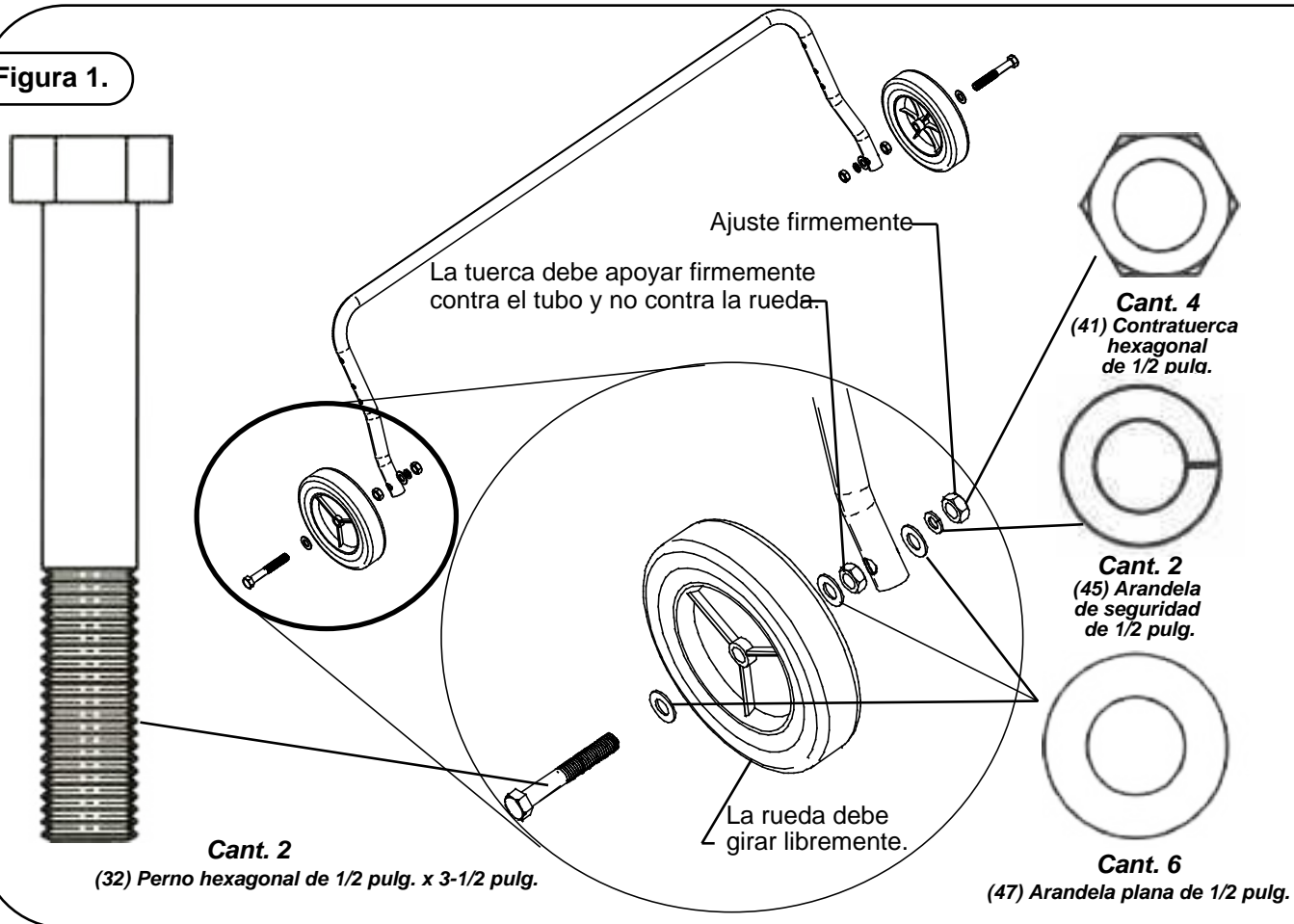


Figura 2.

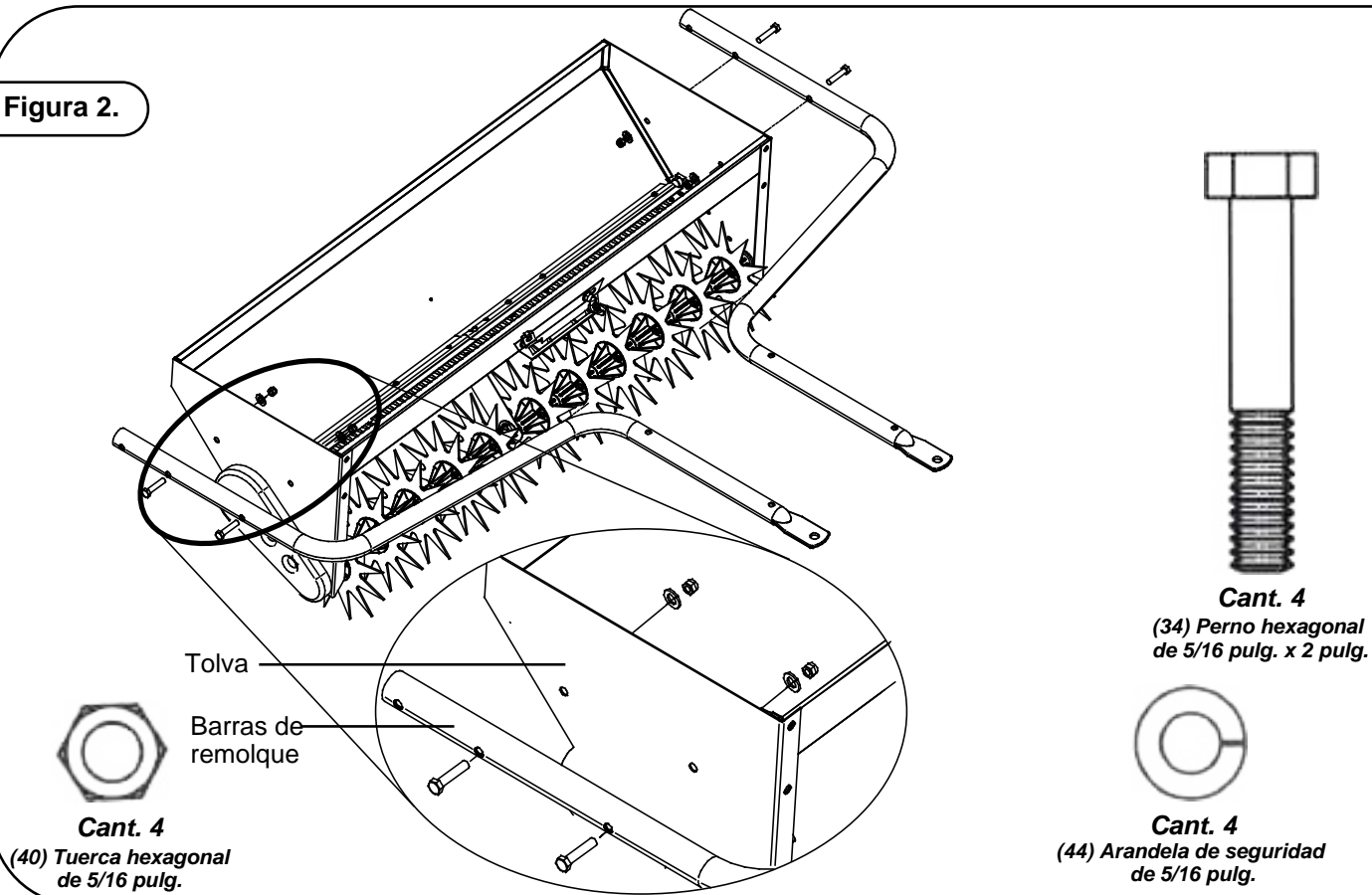
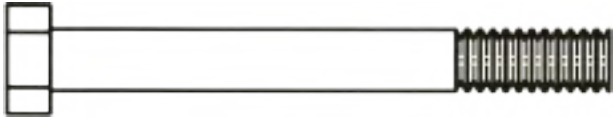


Figura 3.



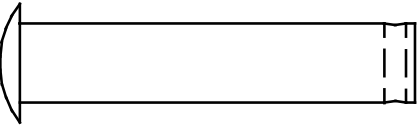
Cant. 2
(37) Perno hexagonal
de 5/16 pulg. x 3 pulg.



Cant. 2
(40) Tuerca hexagonal
de 5/16 pulg.



Cant. 2
(44) Arandela de seguridad
de 5/16 pulg.



Cant. 1
(50) Pasador de barra
de remolque de
1/2 pulg. x 2-1/2 pulg.

Cant. 1
(51) Chaveta de horquilla
(NO SE MUESTRA
A ESCALA)

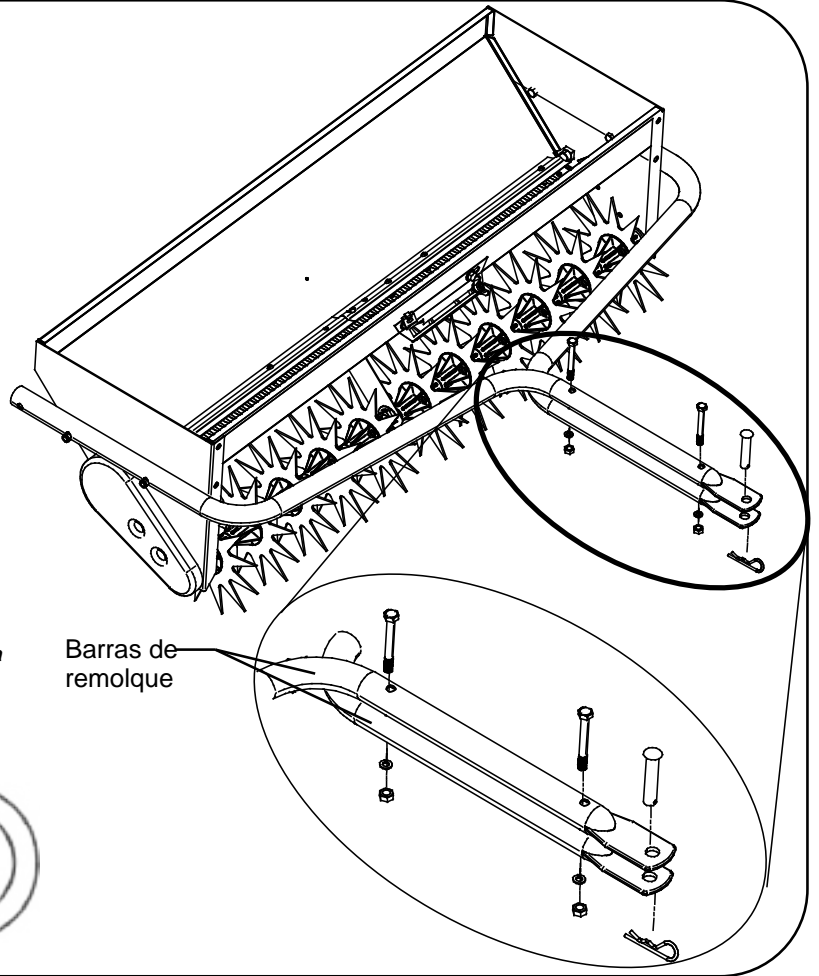
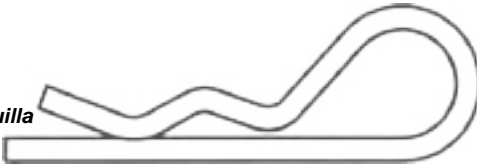
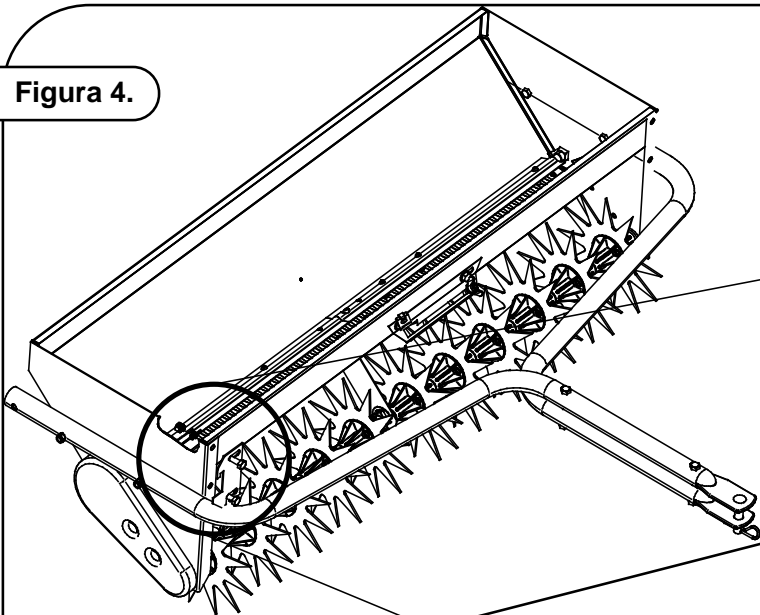


Figura 4.



Cant. 2
(46) Arandela plana
de 5/16 pulg.

Cant. 2
(31) Perno hexagonal
de 5/16 pulg. x 3/4 pulg.



Cant. 2
(40) Tuerca hexagonal
de 5/16 pulg.



Cant. 2
(44) Arandela de seguridad de 5/16 pulg.

Tolva

Placa de
transporte

Figura 5.

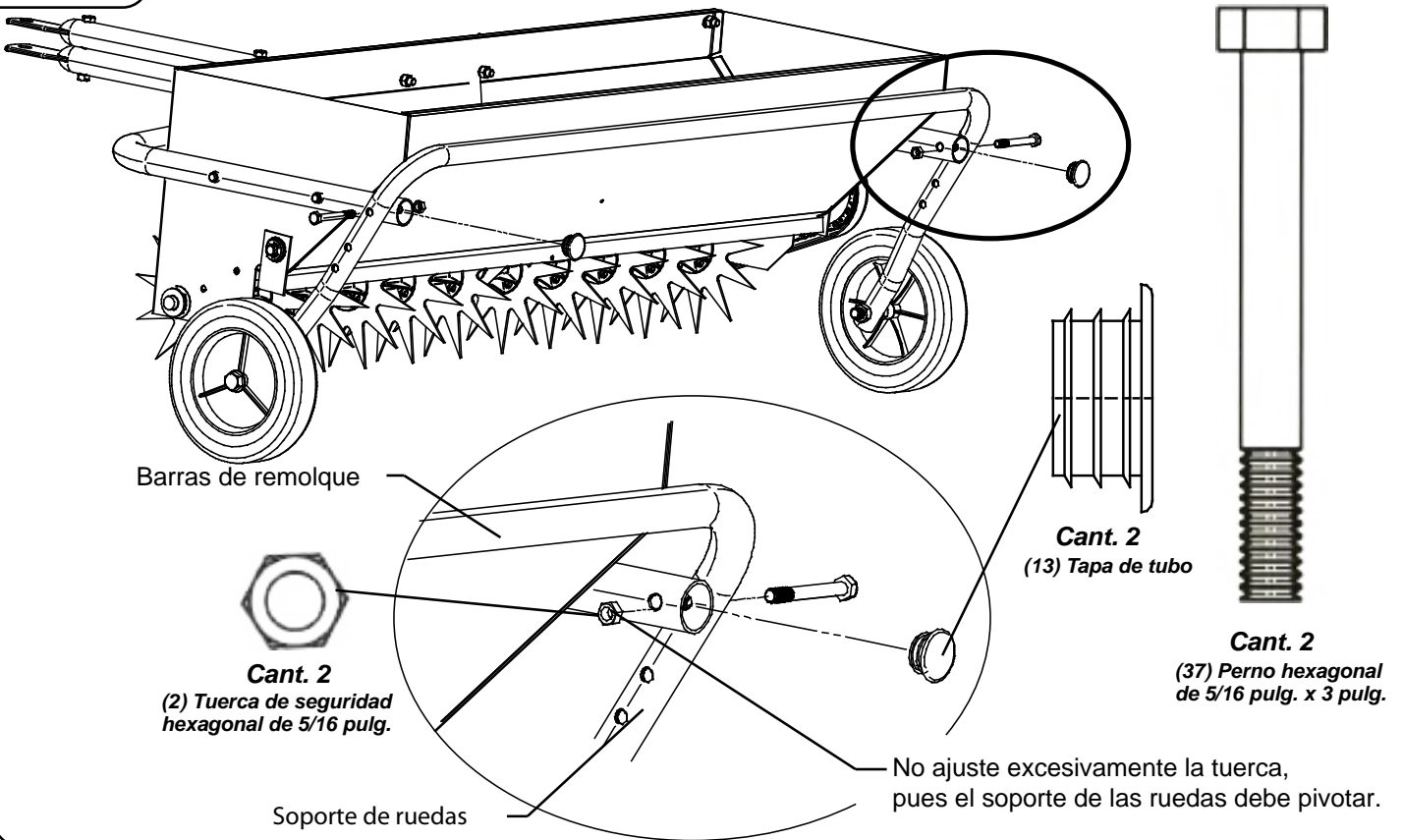


Figura 6.

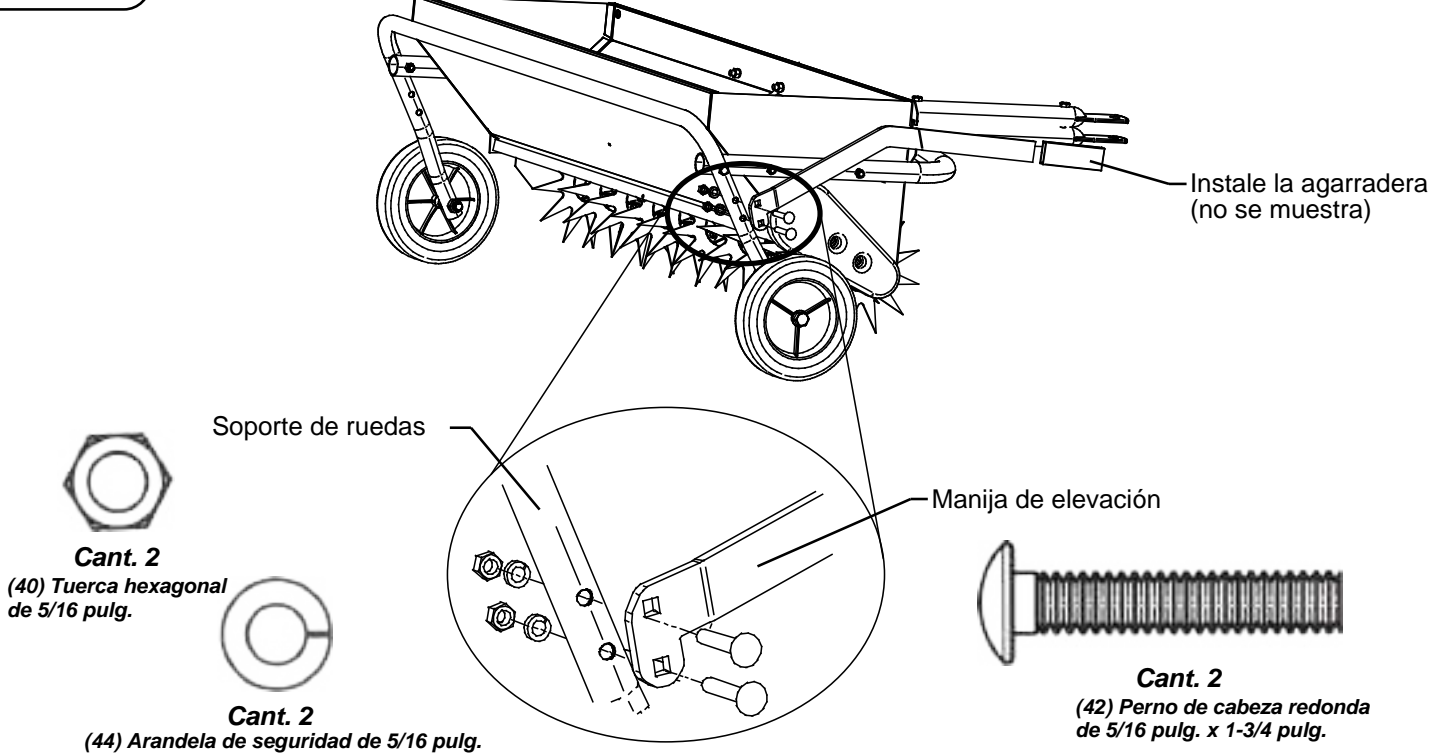
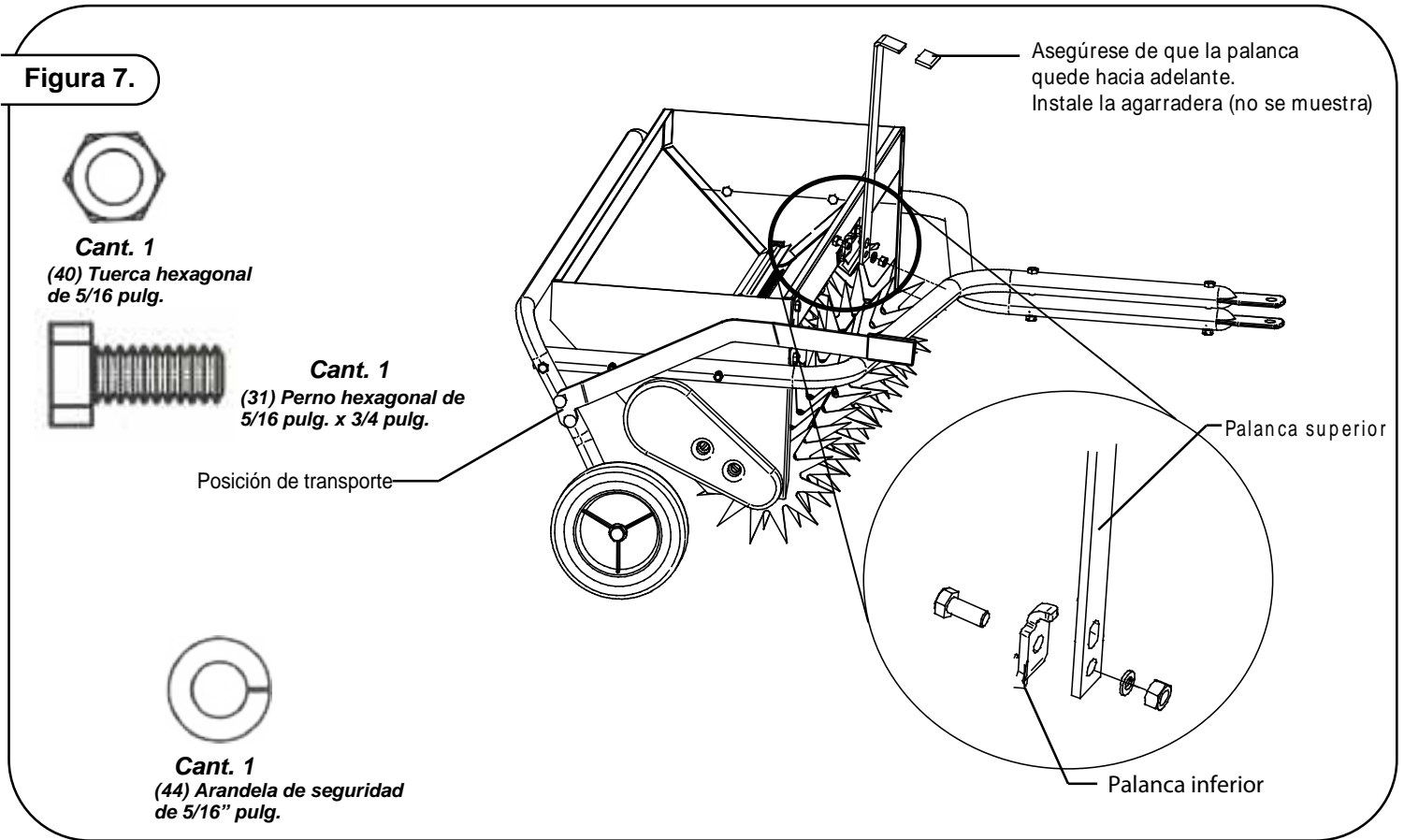


Figura 7.



OPERACIÓN

CUÁNDO USAR:

Su aireador-esparcidor no debe usarse cuando el césped se encuentre en condiciones demasiado húmedas o excesivamente secas. Esto puede determinarse haciendo un pequeño hoyo en el suelo (de unas 3 pulgadas de profundidad) y examinando la tierra. Si la tierra tiene un aspecto polvoriento y los terrones son frágiles, está demasiado seca. En este caso, espere hasta que haya llovido. Si la tierra parece estar húmeda, amásela en la palma de la mano para formar una bola. Si ésta no se desarma al golpear contra el suelo, el suelo está demasiado húmedo. De ser así, espere hasta que la tierra se haya secado un poco. Lo ideal es que la bola de tierra se rompa al golpear.

NOTA: Si el suelo está demasiado húmedo, las púas del aireador penetrarán muy profundamente en él y el tractor puede perder tracción, lo que causaría daños al césped. Si el suelo se encuentra demasiado seco, las púas no penetrarán lo suficiente.

CONSEJOS PARA LA OPERACIÓN:

Conecte el aireador-esparcidor al tractor utilizando el pasador de barra de remolque de 1/2 pulg. y la chaveta de horquilla provista (vea la Fig. 3). Tire de la manija de transporte en dirección al tractor y trábela en la posición de elevación (las ruedas de transporte se acoplan). (Vea la Fig. 7).

Ajuste el control de flujo a la posición correcta utilizando la tuerca de mariposa de nailon (consulte la tabla de ajuste alternativo del control de flujo en la página 10) y desplace la palanca de control hasta la posición de cerrado ("0").

Llene la tolva con el material que desea esparcir en el lugar de aplicación.

Desarme todos los terrones de material a medida que llene la tolva.

La velocidad de operación recomendada es apenas mayor que la de una persona que camina rápidamente, es decir, de 3 a 5 MPH. Ajuste el acelerador/selector de marcha para obtener esta velocidad. Para determinar cuál es esta velocidad, calibre el tractor a 3 MPH de la siguiente manera:

Mida una distancia de 20 pies en una superficie plana y nivelada.

Ajuste el acelerador del tractor y seleccione una marcha para recorrer esta distancia en 4.5 segundos.

Para obtener 4 MPH, esa misma distancia debe recorrerse en 3.4 segundos.

Haga avanzar el tractor o la cortadora a medida que abre el control de flujo con la palanca de control.



¡PRECAUCIÓN! Evite detener la unidad cuando el control de flujo esté en la posición de "ABIERTO", pues el material continuará saliendo por la abertura de la tolva. Si se deposita demasiado fertilizante en un área muy pequeña, embébalo completamente con agua utilizando una manguera de jardín, a fin de evitar que el césped se queme.

Para que el aireador-esparcidor pueda funcionar, las púas de aireación deben estar en la posición inferior. El agitador es impulsado por las púas del aireador.

IMPORTANTE:

Al retroceder, hágalo en forma RECTA para evitar que el remolque se doble en ángulo, pues esto podría dañar el equipo.

OPERACIÓN (continuación)

AJUSTE DEL CONTROL DE FLUJO

Apertura y cierre: El flujo de material se interrumpe desplazando la palanca de control hacia la izquierda y trabándola en la muesca en V de la placa de calibración.

Ajuste de flujo: Para determinar la velocidad de aplicación, lleve la palanca de control hasta la posición de cierre (muesca en V). Determine el número correspondiente al ajuste deseado, tal como se describe a continuación. Afloje la tuerca de mariposa de nailon y deslícela hasta el número de ajuste que desea seleccionar. Luego, vuelva a ajustarla. Suelte la correa de control y la unidad se abrirá hasta la posición seleccionada.

CÓMO DETERMINAR EL NÚMERO DE AJUSTE DEL CONTROL DE FLUJO

NOTA: Las velocidades de aplicación del fertilizante, tal como se describen más abajo, son afectadas por la humedad y el contenido de agua del material. En consecuencia, puede ser necesario realizar pequeños ajustes a fin de compensar estas condiciones.

TABLA DE VELOCIDADES DE APLICACIÓN

TIPO DE MATERIAL	USO TÍPICO RECOMENDADO	AJUSTE DEL CONTROL DE FLUJO
SEMILLA:		
Bluegrass (<i>Poa</i>) de Kentucky	1 libra/1000 pies ²	4
Rye	2 libras/1000 pies ²	7
Césped largo y fescue (<i>Festuca</i>) N.º 31	3 libras/1000 pies ²	12
FERTILIZANTE:		
Fertilizante para césped (33-3-10)	3.2 libras/1000 pies ²	5-1/4
Fertilizante y desmalezador (33-3-5)	3.2 libras/1000 pies ²	5-1/4

AJUSTE ALTERNATIVO DEL CONTROL DE FLUJO

Para determinar la posición de ajuste necesaria para materiales no listados en la tabla, siga estas instrucciones:

Consulte las instrucciones en la etiqueta de la bolsa y determine la cantidad de material a esparcir en el área designada. Ejemplo: "El contenido de esta bolsa (25 libras) permite cubrir 5000 pies cuadrados".

Determine la cantidad de material requerida para cubrir 100 pies cuadrados de la siguiente manera:

- Agregue dos ceros al peso de la bolsa. Ejemplo: 2500
- Divida este número por la cantidad de pies cuadrados indicada en la bolsa. Ejemplo: 2500 dividido por 5000 = 0.5 libras de material para 100 pies cuadrados. **NOTA:** Para convertir el peso en onzas, simplemente multiplique por 16 (hay 16 onzas en cada libra). Ejemplo: 0.5 libras x 16 = 8 oz.

Determine el ajuste aproximado del control de flujo utilizando la tabla incluida más adelante, donde se enumeran los distintos tipos de materiales a esparcir.

Mida una distancia de 40 pies en el jardín. Ésta será la distancia que el aireador-esparcidor de 30 pulgadas debe recorrer para cubrir 100 pies cuadrados (2.5 pies [30 pulg.] x 40 pies = 100 pies²). Para el modelo de 40 pulgadas, mida

una distancia de 30 pies en el jardín, que es la necesaria para cubrir 100 pies cuadrados (3.33 pies [40 pulg.] x 30 pies = 100 pies²).

Ajuste el control de flujo del aireador-esparcidor al valor más aproximado al número obtenido.

Coloque 5 libras de material en la tolva. Pese el material antes y después de distribuirlo sobre 100 pies cuadrados a fin de determinar la cantidad de material utilizado.

Traslade la unidad a la zona medida, baje las púas del aireador y abra la palanca de control de flujo. Recorra la distancia de 40 pies, detenga la unidad y cierre la palanca de control de flujo.

Retire y pese el material que queda en la tolva. Reste este peso de 5 libras para determinar la cantidad de material utilizado. Si se ha utilizado demasiado material, ajuste el control de flujo UN número más BAJO y haga otra prueba. Si se ha utilizado muy poco material, ajuste el control de flujo UN número más ALTO y haga otra prueba.

Luego de determinar el ajuste apropiado, anote el tipo de material y el valor seleccionado para referencia futura.

TABLA DE AJUSTE ALTERNATIVO DEL CONTROL DE FLUJO

GRANULACIÓN DEL MATERIAL	COBERTURA APROXIMADA	AJUSTE APROX DEL CONTROL DE FLUJO		
		Peso	Cobertura (pies ²)	Ajuste
FERTILIZANTE:				
Muy gruesa (perdigones grandes y pesados, granos)	.5 libra 1.0 libras 1.5 libras	100 100 100		9 12 15
Mediana (perdigones y gránulos)	.5 libra 1.0 libras 1.5 libras	100 100 100		7 10 13
Material liviano (nitrógeno, etc.)	.1 libra .2 libra .3 libra	100 100 100		3 1/2 4 1/2 5 1/2
SEMILLA:				
Grande (Kentucky 31, fescue, etc.)	.3 libra .5 libra .7 libra	100 100 100		12 16 19
Mediana (Rye, etc.)	.2 libra .4 libra .6 libra	100 100 100		7 11 14
Fina (bluegrass, fescue, etc.)	.1 libra .2 libra .3 libra	100 100 100		4 4 1/2 5

MANTENIMIENTO:

En caso de que se forme óxido en alguna pieza del aireador-esparcidor, líjela ligeramente para eliminarlo y luego píntela con una capa delgada de esmalte.

Antes del uso, aplique una gota de aceite lubricante a cada cojinete de nailon (eje de púas del aireador, eje del agitador y ruedas).

Inmediatamente después del uso, asegúrese de retirar de la tolva los restos de fertilizante no utilizado y límpiela con agua.

Para prevenir la oxidación de las púas del aireador, luego de cada uso aplique una capa delgada de aceite en las superficies de trabajo de las púas.

Además, cada vez que utilice la unidad, realice las operaciones de servicio recomendadas y guárdela en un lugar seco. Proteja las púas para evitar que causen lesiones.

Garantía limitada

Brinly-Hardy Company garantiza sólo al comprador minorista original que este producto se mantendrá libre de defectos de mano de obra y materiales en condiciones de uso y servicio normales por un período de dos (2) años (NOTA: noventa (90) días para uso comercial o de alquiler) a partir de la fecha de compra.

Cualquier pieza que presente defectos dentro del período de garantía será reemplazada si se presenta un comprobante de la fecha de compra; Brinly-Hardy Company se hará cargo de los costos. Nuestra obligación bajo esta garantía está expresamente limitada al reemplazo o la reparación, a nuestra opción, de piezas que presenten defectos en materiales o mano de obra dentro de los treinta (30) días de recibidas. Esta garantía no se aplica a daños causados por el uso no razonable, incluida la omisión de proveer el mantenimiento necesario, ni se aplica a cargos de transporte o mano de obra.

NO EFECTUAMOS NINGUNA OTRA GARANTÍA EXPRESA Y NINGUNA PERSONA ESTÁ AUTORIZADA A ENUNCIAR GARANTÍAS EN NUESTRO NOMBRE. CUALQUIER GARANTÍA IMPLÍCITA O ESTABLECIDA POR LA LEY, INCLUIDAS LAS DE COMERCIALIZACIÓN O APTITUD PARA UN PROPÓSITO PARTICULAR, ESTÁN LIMITADAS A LA DURACIÓN DE ESTA GARANTÍA ESCRITA. NO NOS HAREMOS RESPONSABLES DE DAÑOS CONSECUENTES O INCIDENTALES DE NINGÚN TIPO.

HECHO EN LOS EE.UU.
NÚMERO DE LLAMADAS SIN CARGO DE BRINLY-HARDY COMPANY: 1-877-728-8224

