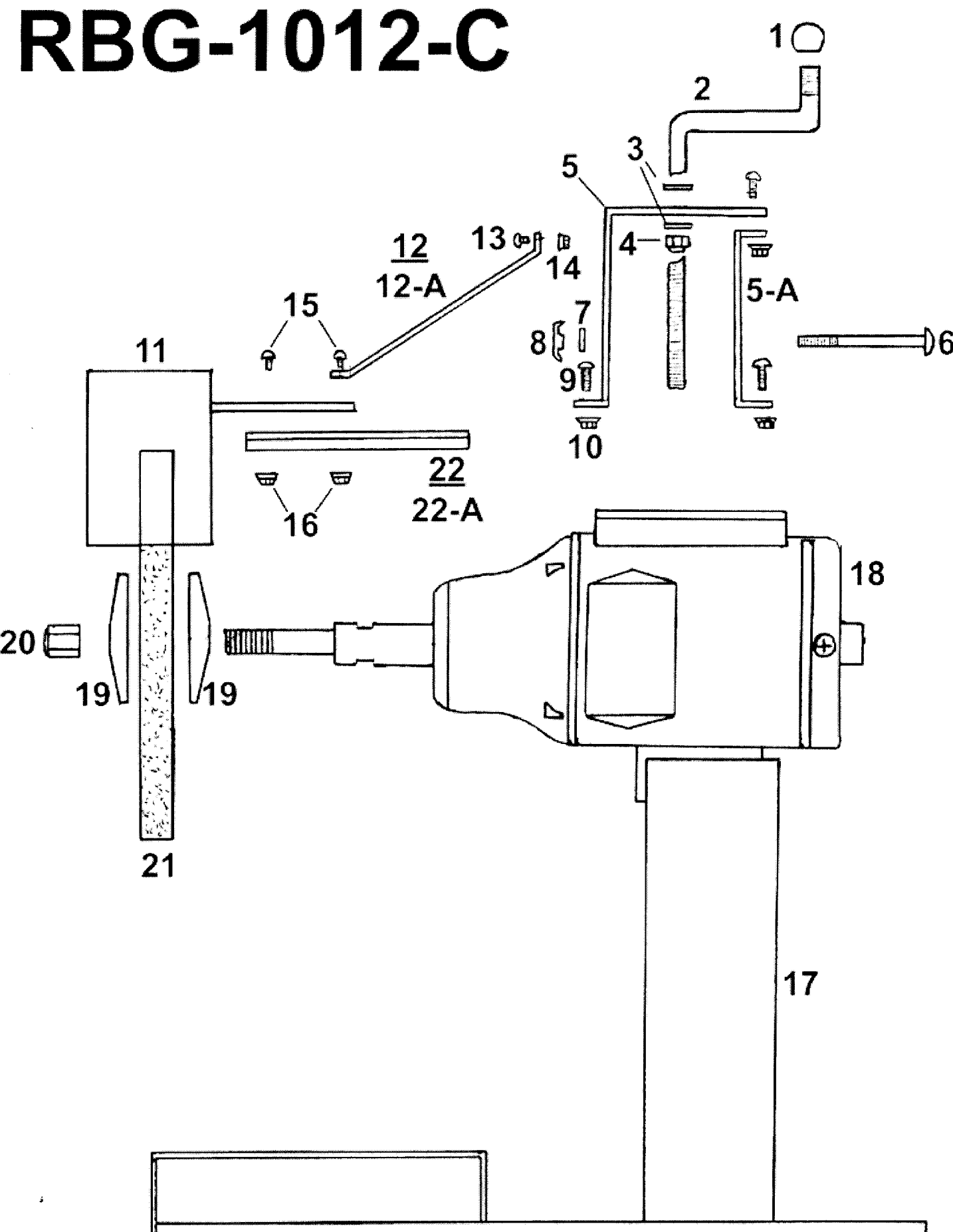


# RBG-1012-C



ITEM #	PART #	DESCRIPTION	QUANTITY
1	10001	CONTROL BALL 1/2-20	1
2	10002	HANDLE	1
3	10003	FLAT WASHER SAE 1/2	2
4	10004	NYLON LOCK NUT 1/2-20	1
5	10010	UPPER MOTOR CARRIER FRAME (FRONT)	1
5-A	10010-A	UPPER MOTOR CARRIER FRAME (BACK)	1
6	10013	CARRIAGE BOLT 3/8-16x5	2
7	10014	FLAT WASHER SAE 3/8	2
8	10015	TRI PRONG PLASTIC KNOB 3/8-16	2
9	10016	CARRIAGE BOLT 3/8-16x1	6
10	10017	WHIZZ LOCK NUT 3/8-16	6
11	10021	GUARD	1
12	10022	GUARD BRACKET (LEFT)	1
12-A	10022-A	GUARD BRACKET (RIGHT)	1
13	10023	CARRIAGE BOLT 1/4-20x3/4	2
14	10026	WHIZZ LOCK NUT 1/4-20	2
15	1310	CARRIAGE BOLT 5/16-18x3/4	4
16	1611	WHIZZ LOCK NUT 5/16-18	4
17	10031	FRAME	1
18	10036	MOTOR - 1 H.P. BELL FRONT	1
19	10037	CAST FLANGE WASHER	2
20	10038	NYLON LOCK NUT 7/8-14	1
21	10112	12"x1" RUBY WHEEL	1
22	10020	GUARD ARM (RIGHT)	1
22-A	10020-A	GUARD ARM (LEFT)	1
		ITEMS NOT SHOWN	
		ON OFF DECAL	
		CAUTION DECAL	
		RBG 1012-C DECAL	
		HANDLE CONTROL DECAL	
		CAUTION LABEL (WING NUT)	