

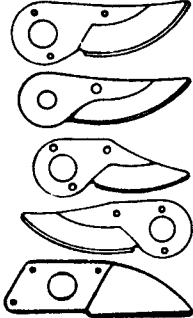

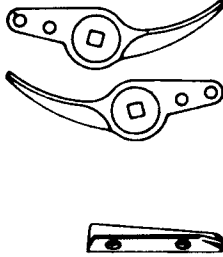



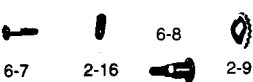
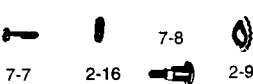


Parts for Pruning Shears

On Attractive Blister Pack



Please Order by Part Number

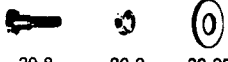
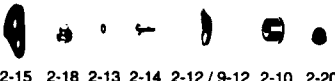
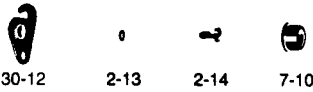

ITEM DESCRIPTION	FELCO 2	FELCO 4	FELCO 5	FELCO 6	FELCO 7	FELCO 8	FELCO 9	FELCO 10	FELCO 11	FELCO 12	FELCO 13	FELCO 30
Cutting Blade Rivets Not Included 	2-3	2-3							2-3			
			5-3								13-3	
				6-3							6-3	
					7-3	7-3						
							9-3	9-3				
												30-3
Anvil Blade w/Rivets 	2-4											
		4-4										
Anvil Blade w/Screws 				6-4						6-4		
					7-4	7-4						
							9-4	9-4				
									11-4			
											13-4	30-4
Spring Pak 2 per Pak 	2-91	2-91			2-91	2-91	2-91	2-91	2-91			
				6-91						6-91		
			5-91								5-91	30-91
Bolt & Nut Set 	2-8	2-9	2-16	2-17								
Bolt & Nut Set 	4-9				4-90	5-94						
Bolt & Nut Set 	6-7	2-16	6-8		6-90				6-90	6-90		
Bolt & Nut Set 	7-7	2-16	7-8			7-90	7-90	7-90	7-90		7-90	










Original
Switzerland

Parts for Pruning Shears

On Attractive Blister Pack — Please Order by Part Number
















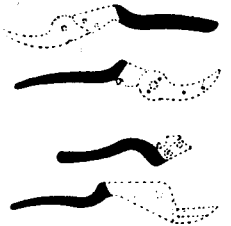
ITEM DESCRIPTION	FELCO 2	FELCO 4	FELCO 6	FELCO 7	FELCO 8	FELCO 9	FELCO 10	FELCO 11	FELCO 12	FELCO 13	FELCO 30
Bolt & Nut Set  30-8 30-9 30-25										30-30	30-90
Repair Kit  2-15 2-18 2-13 2-14 2-12/9-12 2-10 2-20	2-92		2-92	2-92	2-92	2-92	2-92	2-92	2-92	2-92	
Repair Kit  30-12 2-13 2-14 7-10											30-92
Shock Absorber Set  2-18 2-20	2-93		2-93	2-93	2-93	2-93	2-93	2-93	2-93	2-93	

Loose Parts for Pruning Shears — Please Order by Part Number

Light Metal Handle Without Cutting Blade    	2-1										
		4-1									
			6-1								
				7-1							
					8-1						
						9-1					
							10-1				
							11-1				
								12-1			
									13-1	30-1	
Light Metal Handle w/Anvil Blade 	2-2										
		4-2									
Light Metal Handle Without Anvil Blade  			6-2								
				7-2	7-2						
						9-2	9-2				
								11-2			
									12-2	13-2	30-2

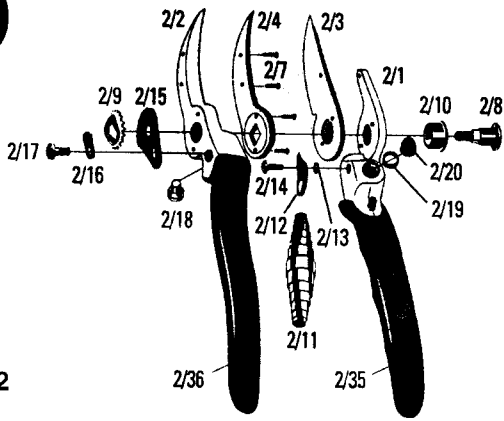
Loose Parts for Pruning Shears — Please Order by Part Number



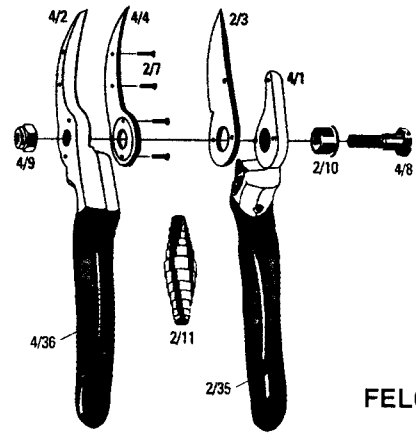
ITEM DESCRIPTION	FELCO 2	FELCO 4	FELCO 6	FELCO 7	FELCO 8	FELCO 9	FELCO 10	FELCO 11	FELCO 12	FELCO 13	FELCO 30
Rivets for Blades 	2-5	2-5	2-5	7-5	7-5	7-5	7-5	2-5	2-5	7-5	7-5
Center Bolt 	2-8										
Nut for Center bolt 	2-9										
Bushing 	2-10	2-10	2-10					2-10	2-10		
				7-10	7-10	7-10	7-10			7-10	7-10
Thumb Catch 	2-12		2-12	2-12	2-12			2-12	2-12	2-12	
						9-12	9-12				30-12
Spring for Thumb Catch 	2-13		2-13	2-13	2-13	2-13	2-13	2-13	2-13	2-13	2-13
Screw for Thumb Catch 	2-14		2-14	2-14	2-14	2-14	2-14	2-14	2-14	2-14	2-14
Catch Plate 	2-15		2-15	2-15	2-15	2-15	2-15	2-15	2-15	2-15	
Locking Segment 	2-16		2-16	2-16	2-16	2-16	2-16	2-16	2-16	2-16	
Screw for Locking Segment 	2-17		6-7	7-7	7-7	7-7	7-7	6-7	6-7	7-7	
Screw for Anvil Blade 			6-6					6-6	6-6		30-6
				7-6	7-6	7-6	7-6			7-6	30-7
Edging Ring 	2-19		2-19	2-19	2-19	2-19	2-19	2-19	2-19	2-19	
Revolving Handle 				7-22					12-22		
							10-22				
Axis for Revolving Handle 				7-23			7-23		7-23		
Red Plastic Coating for Cutting Blade Handle 	2-35	2-35						2-35			
			6-35		6-35	6-35					6-35
										13-35	
Red Plastic Coating for Anvil Blade Handle 	2-36							2-36			
		4-36								13-36	
			6-36						6-36		
				7-36	7-36	7-36	7-36				7-36

FELCO®

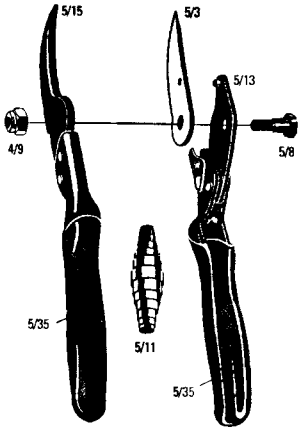
Original
Switzerland



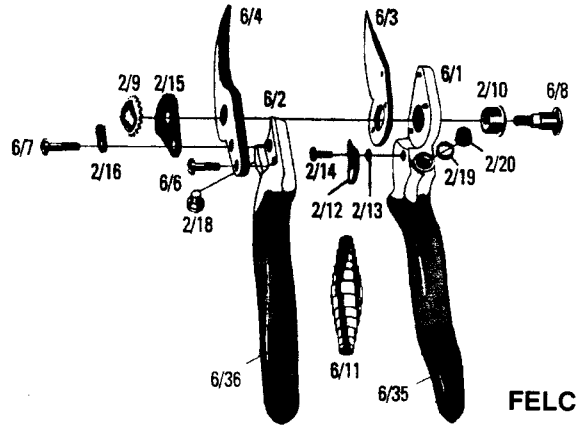
FELCO 2



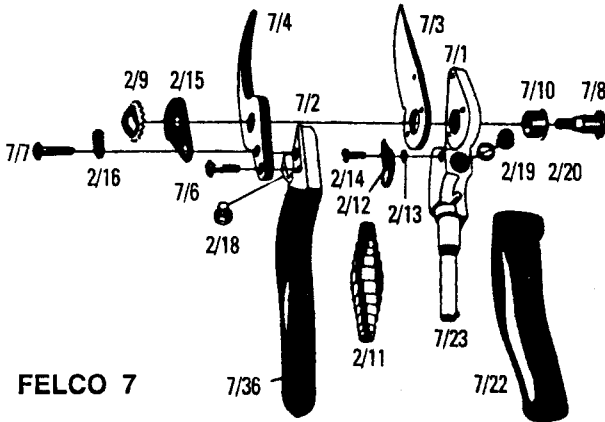
FELCO 4



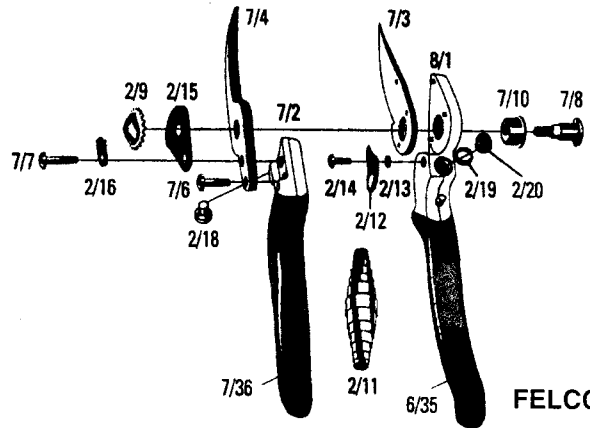
FELCO 5



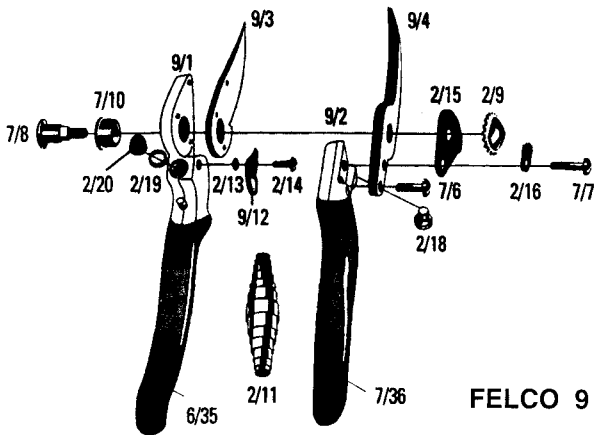
FELCO 6



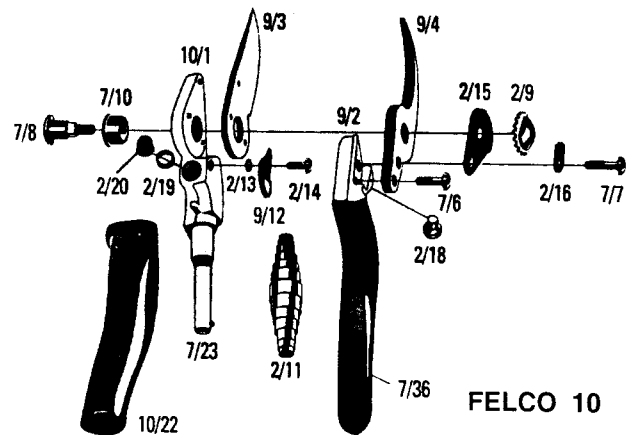
FELCO 7



FELCO 8



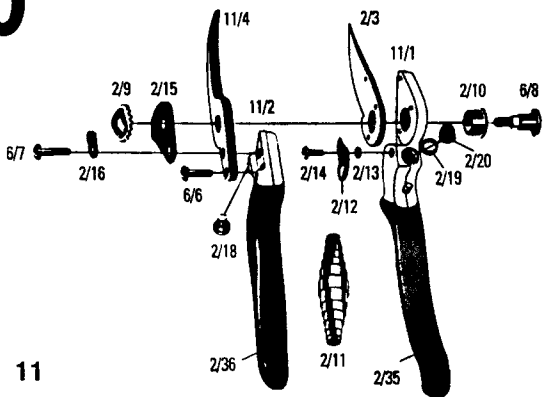
FELCO 9



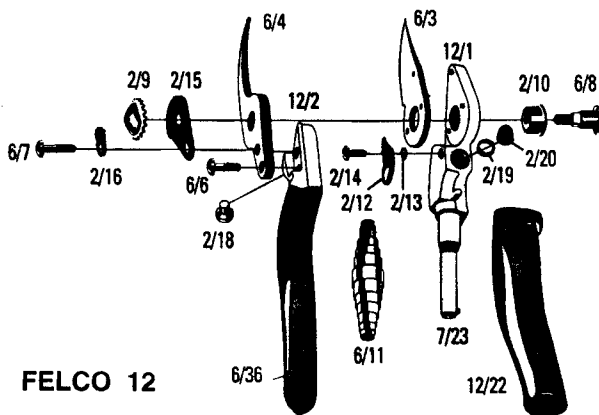
FELCO 10

FELCO®

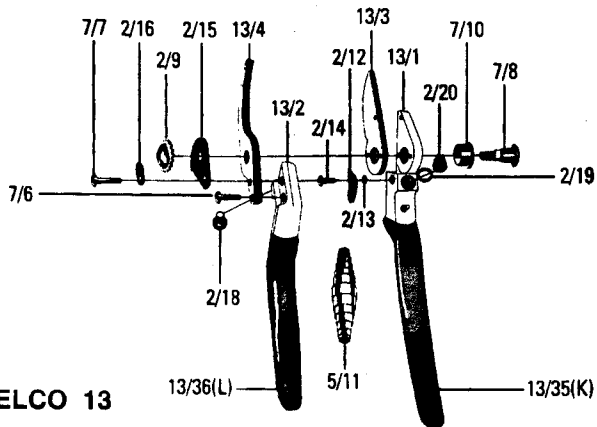
Original
Switzerland



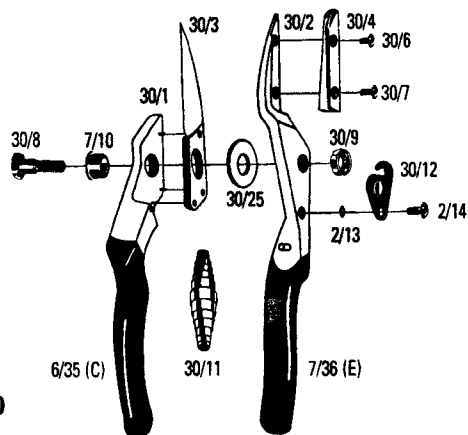
FELCO 11



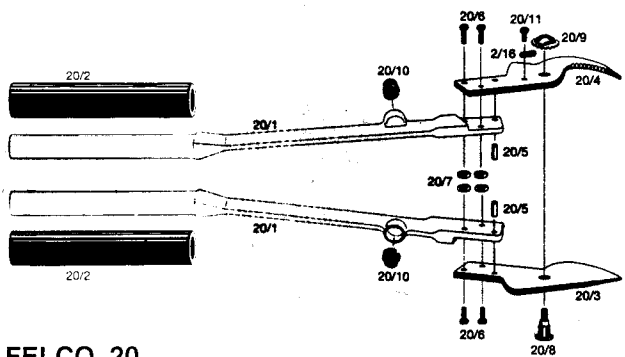
FELCO 12



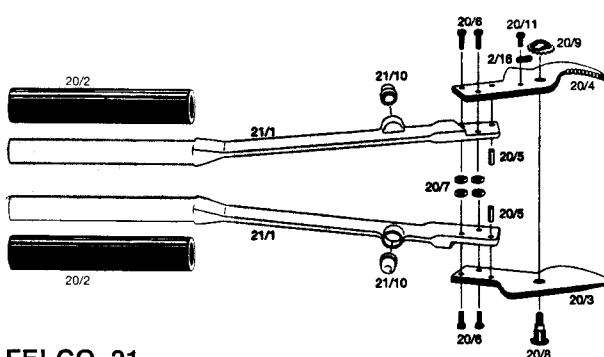
FELCO 13



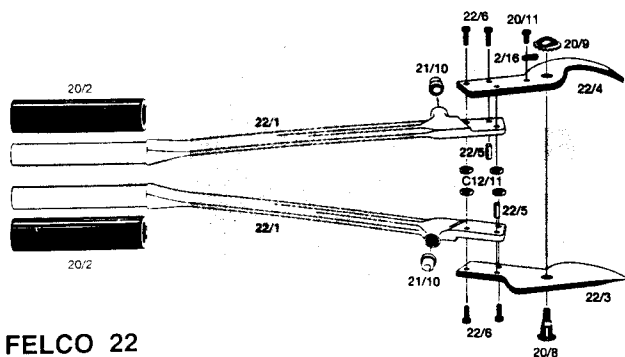
FELCO 30



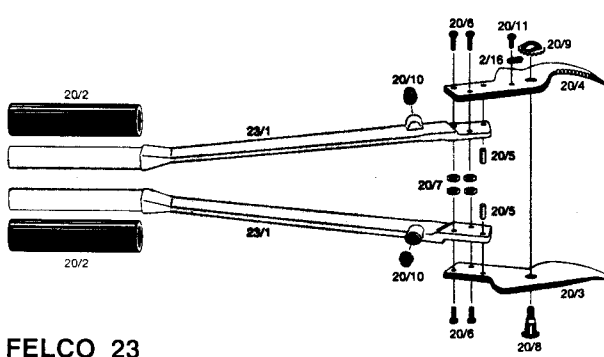
FELCO 20



FELCO 21



FELCO 22



FELCO 23