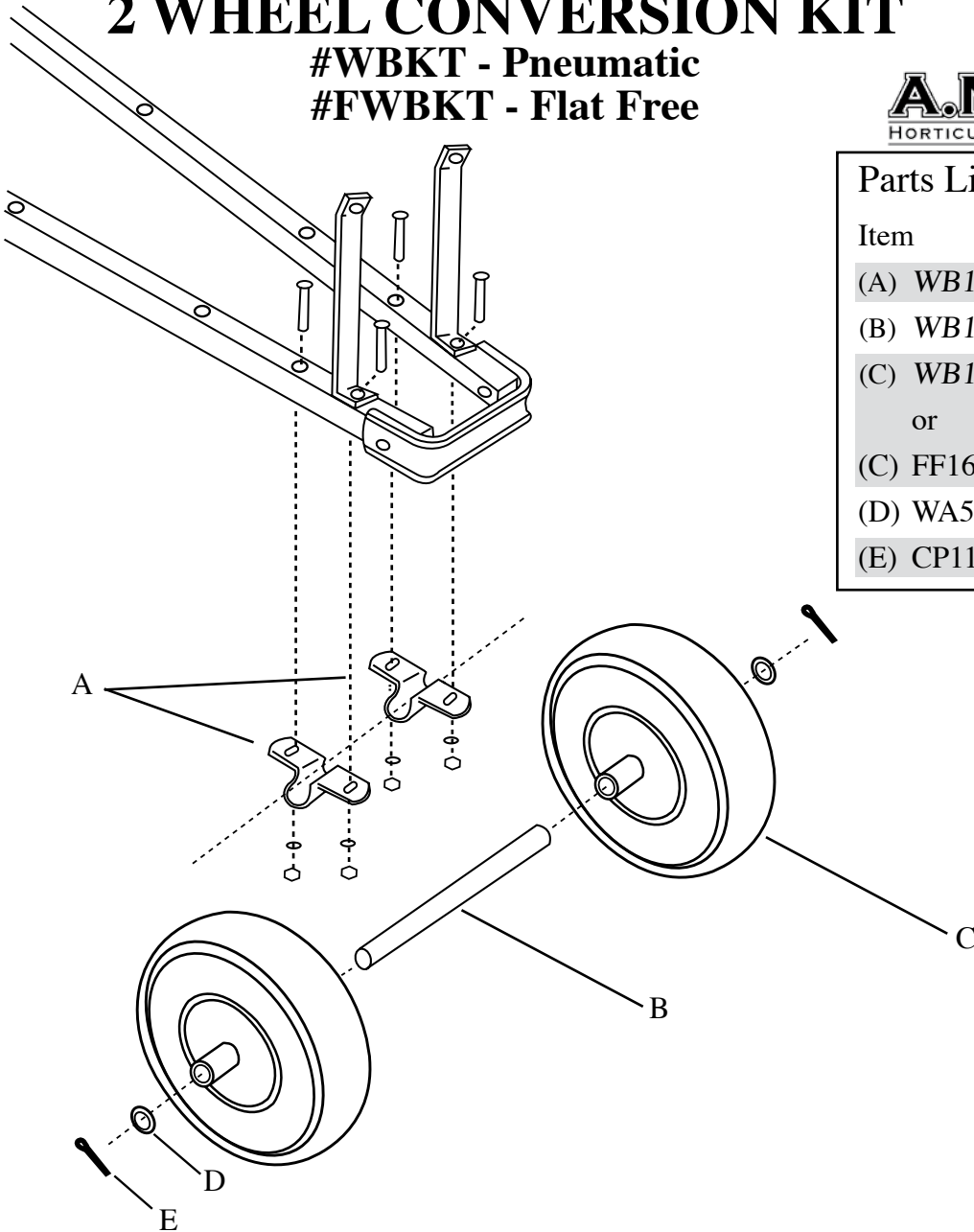


2 WHEEL CONVERSION KIT

#WBKT - Pneumatic

#FWBKT - Flat Free

EST. 1885
A.M. LEONARD
HORTICULTURAL TOOL & SUPPLY COMPANY



Parts List

Item	Description	Quantity
(A) WB1098	Axle Bracket	2
(B) WB1097	Axle	1
(C) WB1005	Pneumatic Wheel	1
or		
(C) FF16BB	Flat Free Wheel	1
(D) WA58	Axle Washer	2
(E) CP114	Cotter Pin	2

This 2-Wheel conversion kit is designed to convert A.M. Leonard Brand wheelbarrows into a two-wheel style for additional stability.

Assembly instructions

1. Position wheelbarrow upside down on flat surface.
2. Loosen and remove hardware for axle bracket, then remove axle brackets, axle, and wheel.
3. Install new axle brackets using existing bolts, washers, and nuts. Be sure *not* to tighten completely until assembly is complete.
4. Slide axle through the axle brackets, then place existing wheel and the supplied wheel that came with the conversion kit over the axle, one on each side, followed by axle washers, and cotter pins.
5. Slide axle brackets outward toward wheels as far as possible, being certain to center them on the handles. Then move brackets in by 1/8".
6. Secure axle brackets by tightening all nuts completely.